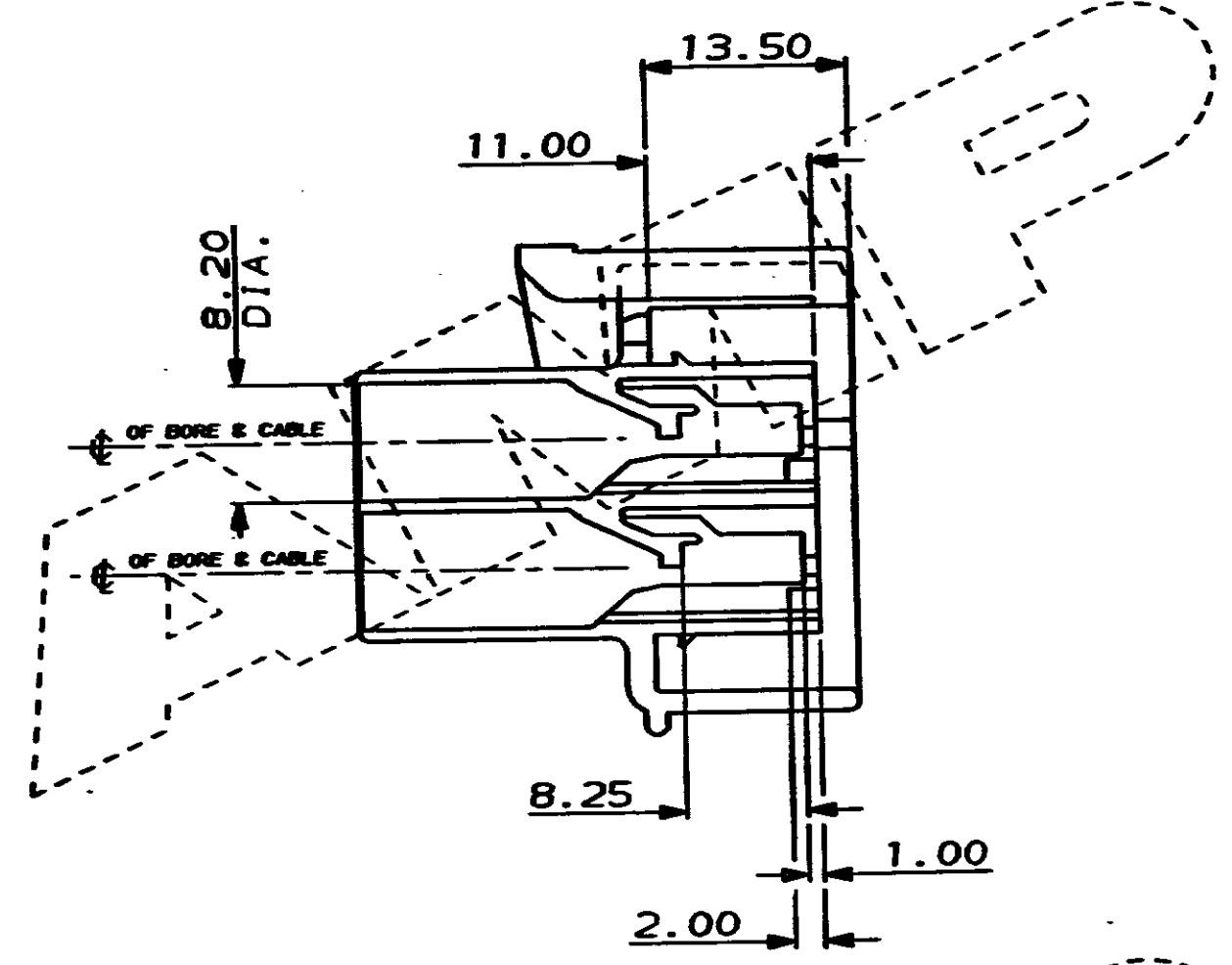
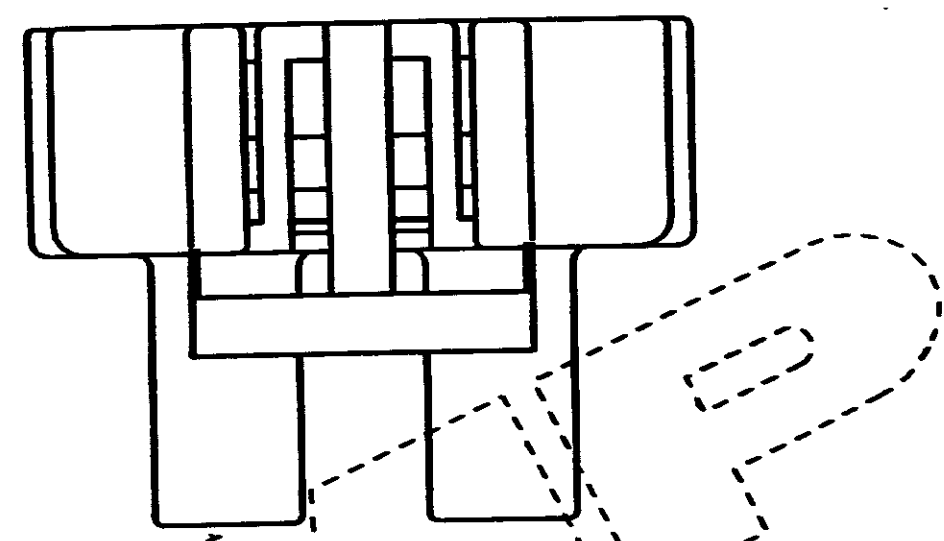


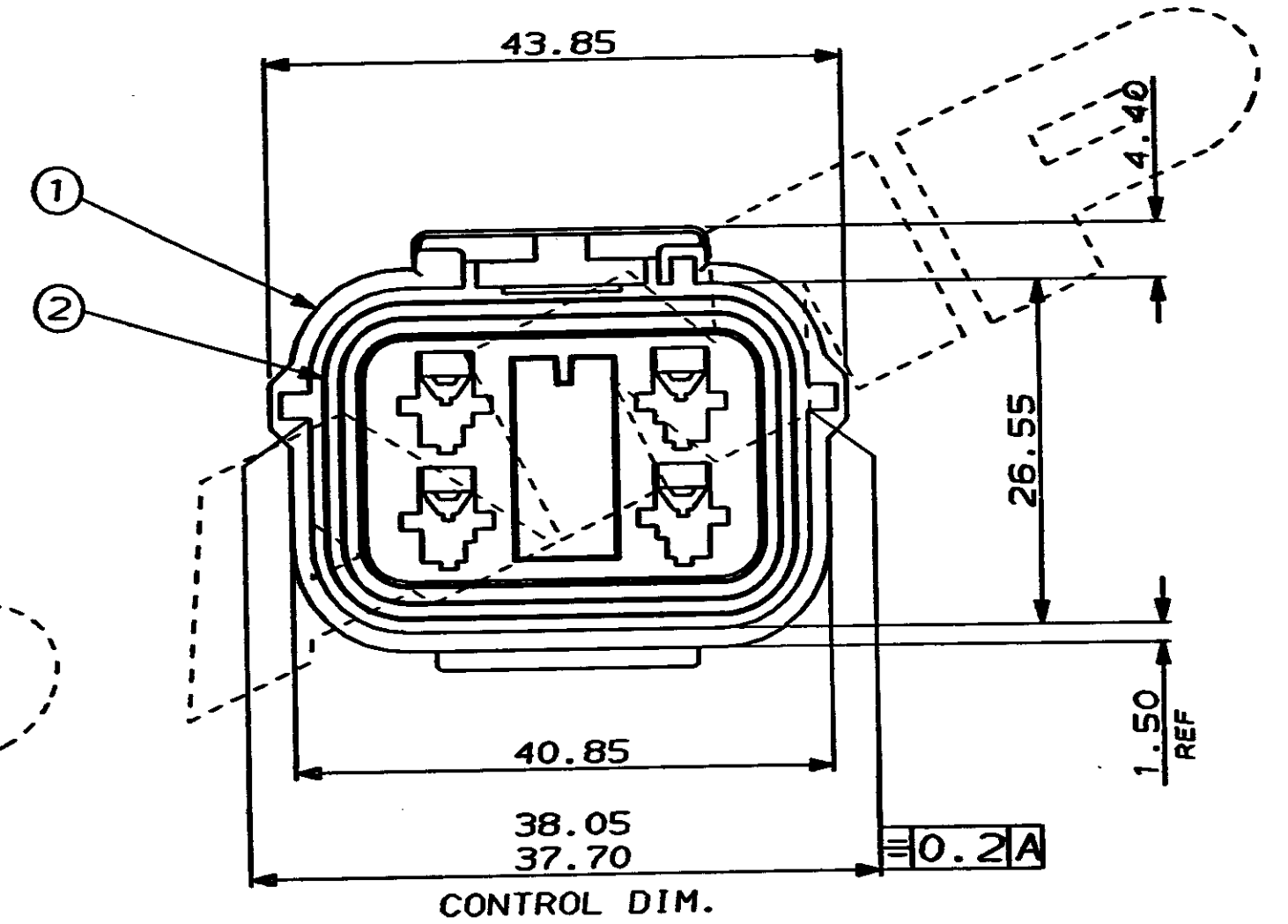
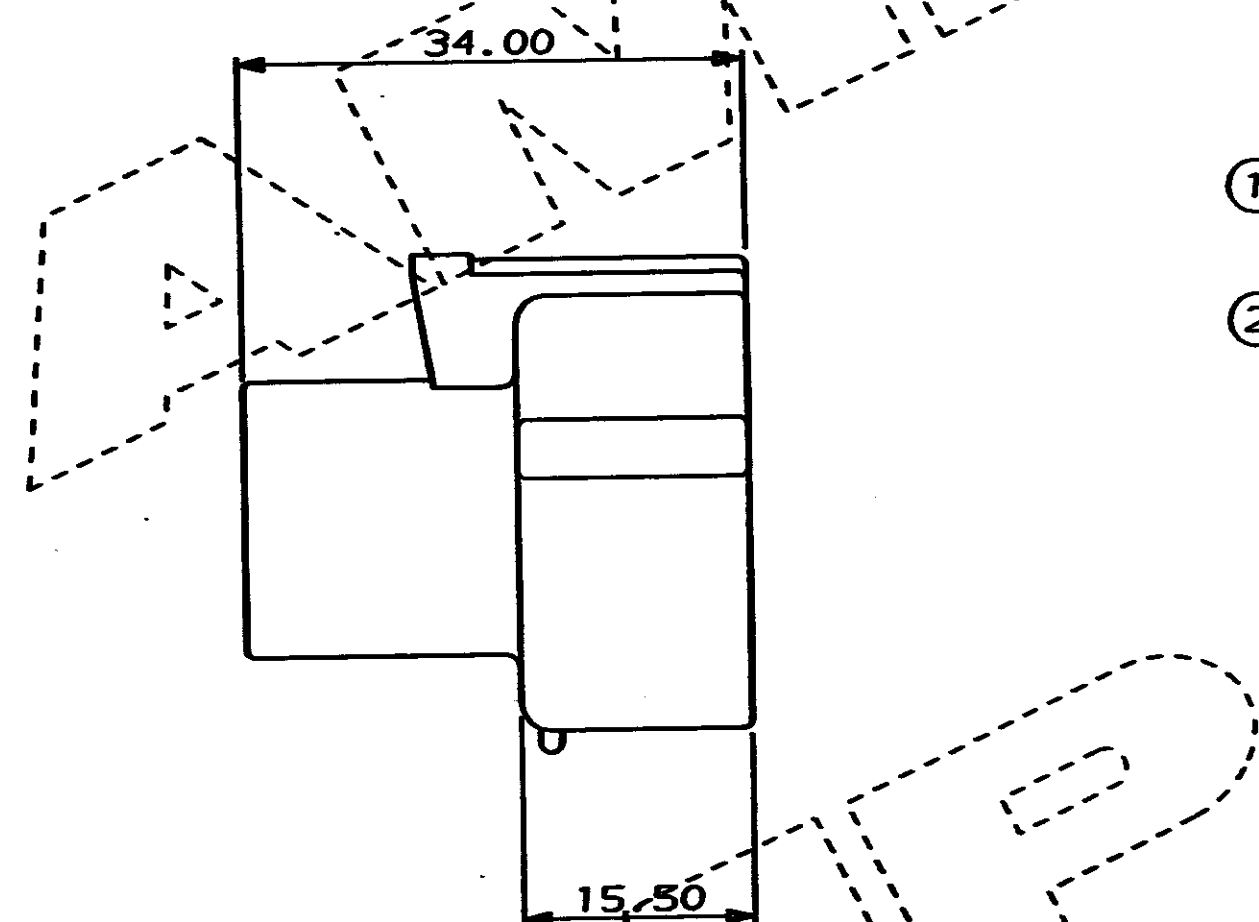
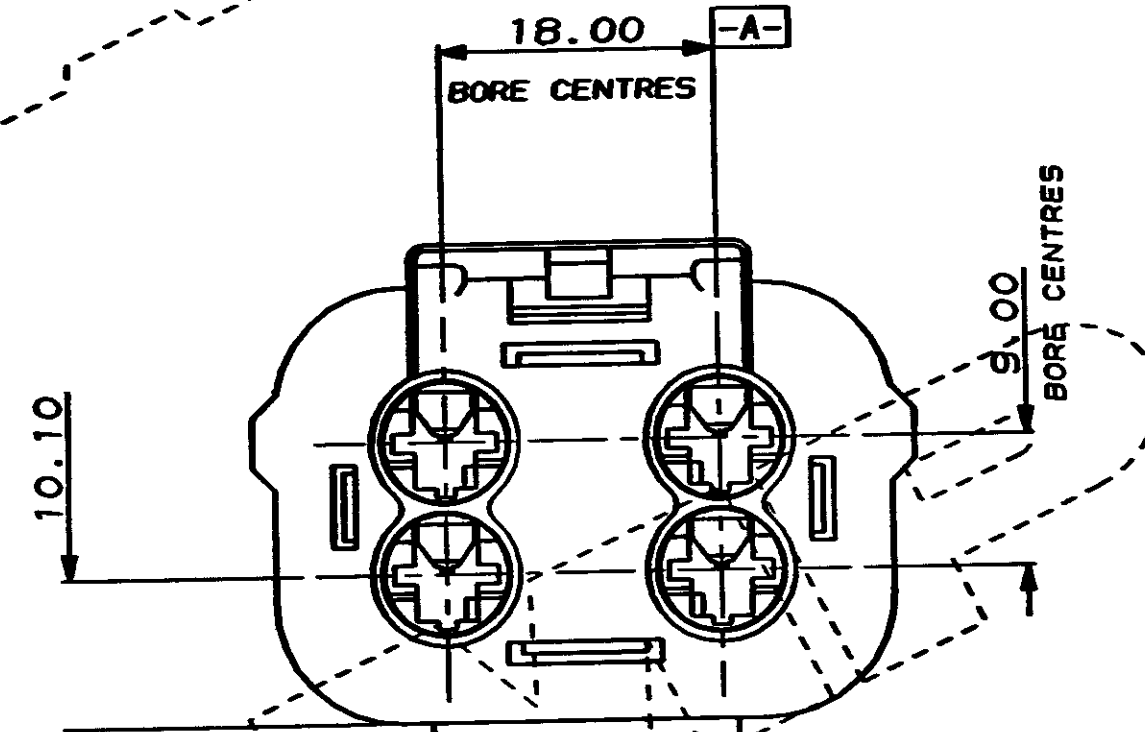
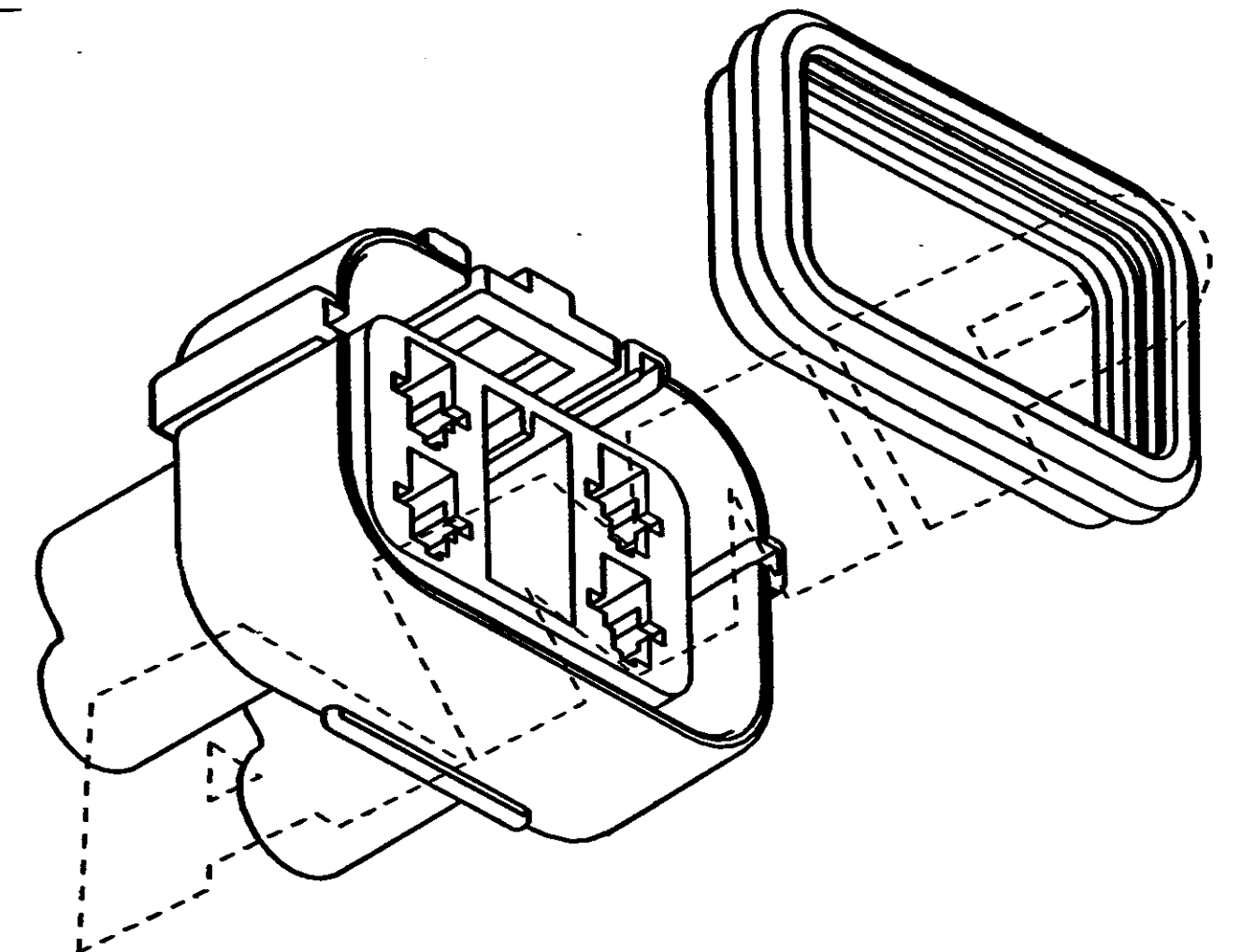
C.A.D. FILE CODE
344080

DO NOT SCALE

DIMENSIONS IN MM.



SCRAP VIEW (SEAL NOT SHOWN)



CONTROL DIM.

ITEM No.	MATERIAL	PART No.	DESCRIPTION	QTY. PER ASSY.	ASSEMBLY PART No.
2		347712-1	PERIPHERAL SEAL	1	344080-4 (WHITE)
1	NYLON 66	344077-4	4 WAY REC. HSG.	1	344080-3 (BLUE)
2		347712-1	PERIPHERAL SEAL	1	344080-3 (BLUE)
1	NYLON 66	344077-3	4 WAY REC. HSG.	1	344080-2 (RED)
2		347712-1	PERIPHERAL SEAL	1	344080-2 (RED)
1	NYLON 66	344077-2	4 WAY REC. HSG.	1	344080-1 (BLACK)
2		347712-1	PERIPHERAL SEAL	1	344080-1 (BLACK)
1	NYLON 66	344077-1	4 WAY REC. HSG.	1	

CUSTOMER DWG
FOR REFERENCE ONLY

D1	CORRECTED SEAL PN	SCK	18AUG2017
C	ADDED -2, -3 & -4	CS988	4.12.91
B	UPDATED	CS241	14.6.88
A	UPDATED	CS908	20.7.88
D	REL. FOR PROD.	C6755	24.2.88
REV	APPROVED	ECN	DATE

© COPYRIGHT 1987 BY AMP OF GREAT BRITAIN LTD. RELEASED FOR PUBLICATION
ALL INTERNATIONAL RIGHTS RESERVED. ALL PRODUCTS 24/06/87
MAY BE COVERED BY BRITISH AND FOREIGN PATENTS AND/OR PATENTS PENDING.

TOLERANCES UNLESS OTHERWISE STATED
DEC ± 0.5
ANGLES ± 1°

DR. MWADE 24/06/87
CH. R. J. S. APP. B. J.



NAME 4 WAY RECEPTACLE HSG ASSY
ECONOSEAL 3 HIGH CURRENT

SCALE	LOC	SIZE	DWG. No.	REV	SHEET
2/1	E	A2	344080	D1	1/1