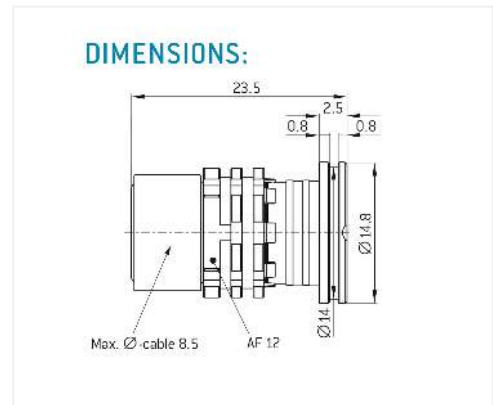
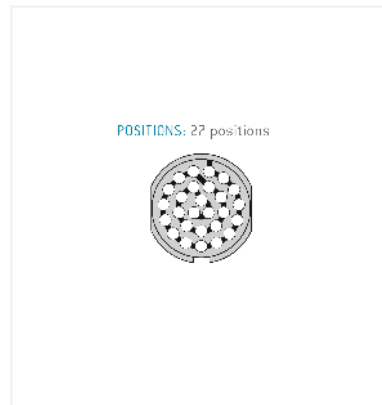
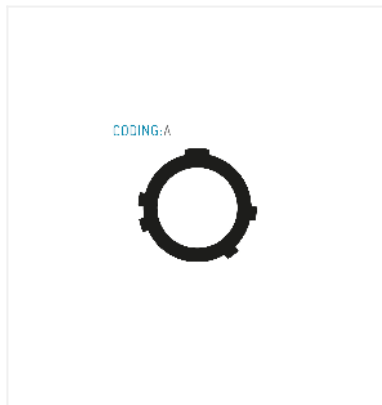


General information

Part number	K11WAM-P27WBC0-0000
Termination	solder
Size	1
Locking principle	break
Coding	a key_amc
Cable Diameter	cable_amchd_1
Cable outlet	overmolding



Contact insert description

Number of contacts	27
Contact type	sockets
Contact diameter	03mm
Insulator material	peek
Wire cross section	28_awg
Termination	solder
Data transmission	hdmi_13

reverse\_gender\_on\_request

Technical information

Nominal current single contact	01_a	iec_60512_5_2
Test voltage	075_kv_dc	eia_364_20f

safety\_text

Mechanical and environmental data

Degree of protection*	ipsk8_ip6k9k
Operating temperature	51_125_c
Mating cycles	5000

mated

Material and surface treatments

Housing	ruthenium
Contact	cu_alloy_gold

data\_text

safety\_text 2  
data\_text  
ul\_text  
illustrative\_text