

## Flange plate robot application

FLAN-PL UR-KUK-1

Part no.:10.03.01.00313

<https://www.schmalz.com/10.03.01.00313>

Home > Vacuum Technology for Automation > Vacuum Components > Vacuum Generators > Vacuum Generators End-of-Arm > FLAN-PL UR-KUK-1

### Flange plate (round)

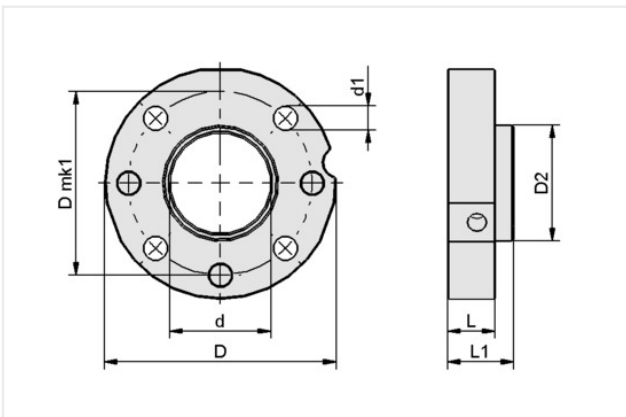


Length L: 13 mm

Type: UR-KUK-1

Type: 3,5,10-iiwa7,14

### Design Data



Attribute	Value
d	27.50 mm
d1	6.60 mm
D	63.50 mm
D mk1	50 mm
D2	31.50 mm
L	13 mm
L1	18 mm

### Accessories

#### Contact Schmalz

Schmalz Inc. | 5850 Oak Forest Drive, Raleigh, NC 27616, United States | +1 (919) 713-0880 | [schmalz.us@schmalz.com](mailto:schmalz.us@schmalz.com)

## Flange plate robot application

FLAN-PL UR-KUK-1

Part no...:10.03.01.00313

<https://www.schmalz.com/10.03.01.00313>



### ECBPi 12 24V-DC M12-8

Part no...:10.03.01.00314

Suction rate (max.): 12 l/min

Rated power: 13 W

Voltage DC: 24V - DC

Rated current: 0.6 A

Electrical connection: Male connect M12, 8 pol

Max. vacuum: 750 mbar

Operating temperature: 5 ... 45 °C



### ECBPi 12 24V-DC TB-8

Part no...:10.03.01.00364

Suction rate (max.): 12 l/min

Rated power: 13 W

Voltage DC: 24V - DC

Rated current: 0.6 A

Electrical connection: Terminal block 8x

Max. vacuum: 750 mbar

Operating temperature: 5 ... 45 °C