



SC800A ACTIVE INSTRUMENT DIRECT BOX

Switchcraft's SC800A Active Instrument Direct Box converts the unbalanced outputs of musical Instruments to balanced, mic level signals that can be connected to audio consoles and mic preamps. This product contains an amplifier circuit and requires a 48V Phantom power supply for operation. When phantom power is applied, the 48V phantom power LED will illuminate indicating the unit is powered on.

Additional features include a 20dB input pad and a ground lift switch for eliminating grounding issues common with unbalanced equipment.

CONTROLS:

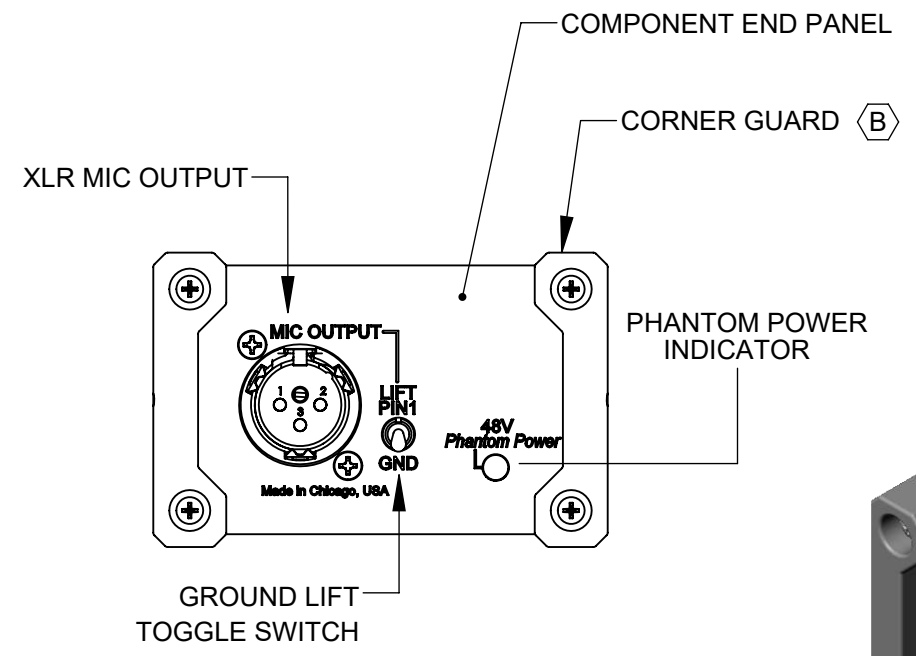
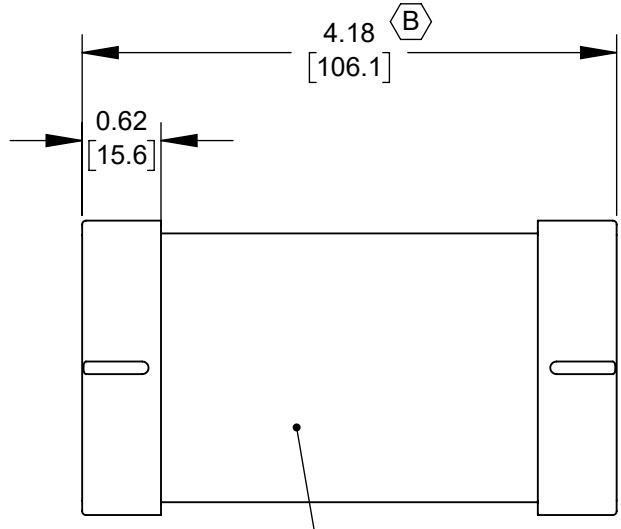
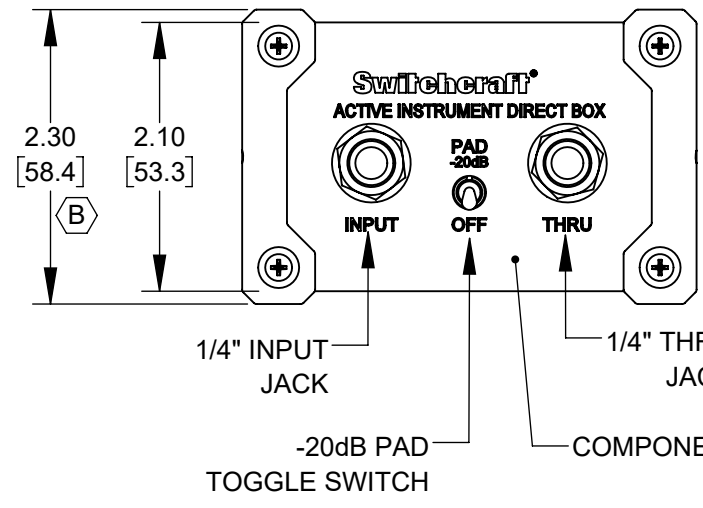
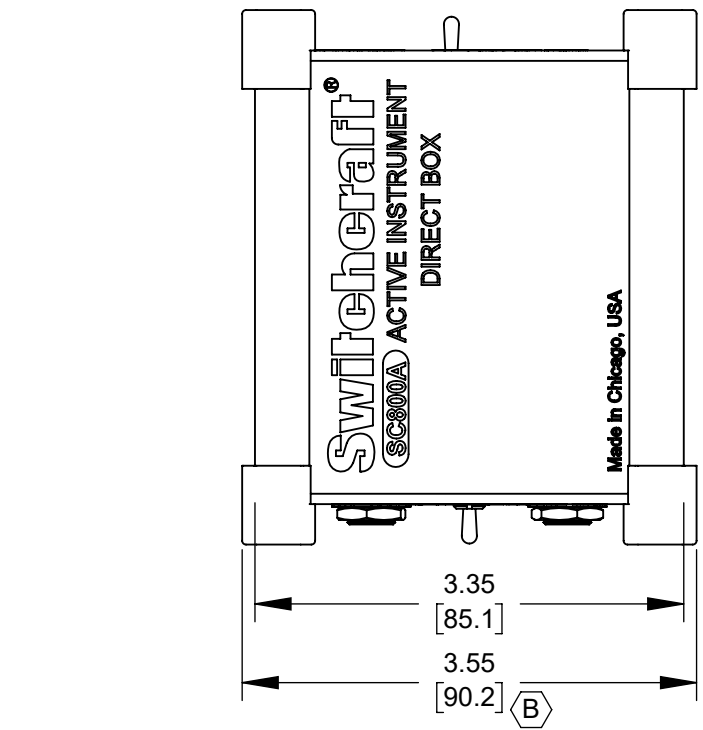
INPUT: 1/4" Mono (TS)

THRUPUT: 1/4" Mono (TS)

OUTPUT: 3- Pin XLR

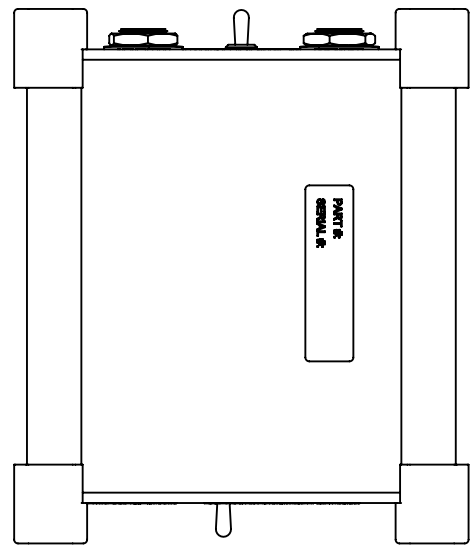
PAD: 20dB Input Pad

GROUND LIFT: XLR Pin 1 Lift



NOTES:

1. THE XLR CONNECTOR IS WIRED PIN-1 GROUND, PIN-2 HOT AND PIN-3 COLD.
2. MATERIALS:
 (B) HOUSING AND COMPONENT END PANELS - BLACK ANODIZED ALUMINUM
 CORNER GUARDS - PVC, SATIN BLUE
3. LASER ETCHED ARTWORK WITH WHITE TEXT.
4. THIS PRODUCT IS RoHS COMPLIANT.



CUSTOMER DRAWING

					THIS DRAWING DESCRIBES A DESIGN CONSIDERED PROPRIETARY IN NATURE, DEVELOPED AND MANUFACTURED BY SWITCHCRAFT INC. AND IS RELEASED ON A CONFIDENTIAL BASIS FOR IDENTIFICATION PURPOSES ONLY.				
					SIZE	WIDTH	MULT	LBS/M	TEMPER
					FINISH			MATERIAL	
					SPEC No.			SPEC No.	
					FIRST USED ON		SCALE		
							2:3		
DATE DRAWN		BY	CHKD		APVD				
12/13/13		AM	PC		TJK				
		03/14/17		03/14/17			SHEET 1 OF 3		
REV					NAME		PART No.		REV
ECO NUMBER					ACTIVE INSTRUMENT DIRECT BOX, RoHS		SC800A		B
DATE					DO NOT SCALE DRAWING				
BY					SolidWorks CAD File (B)				
APVD									
REVISIONS									




SC800A Active Instrument Direct Box Audio Specifications

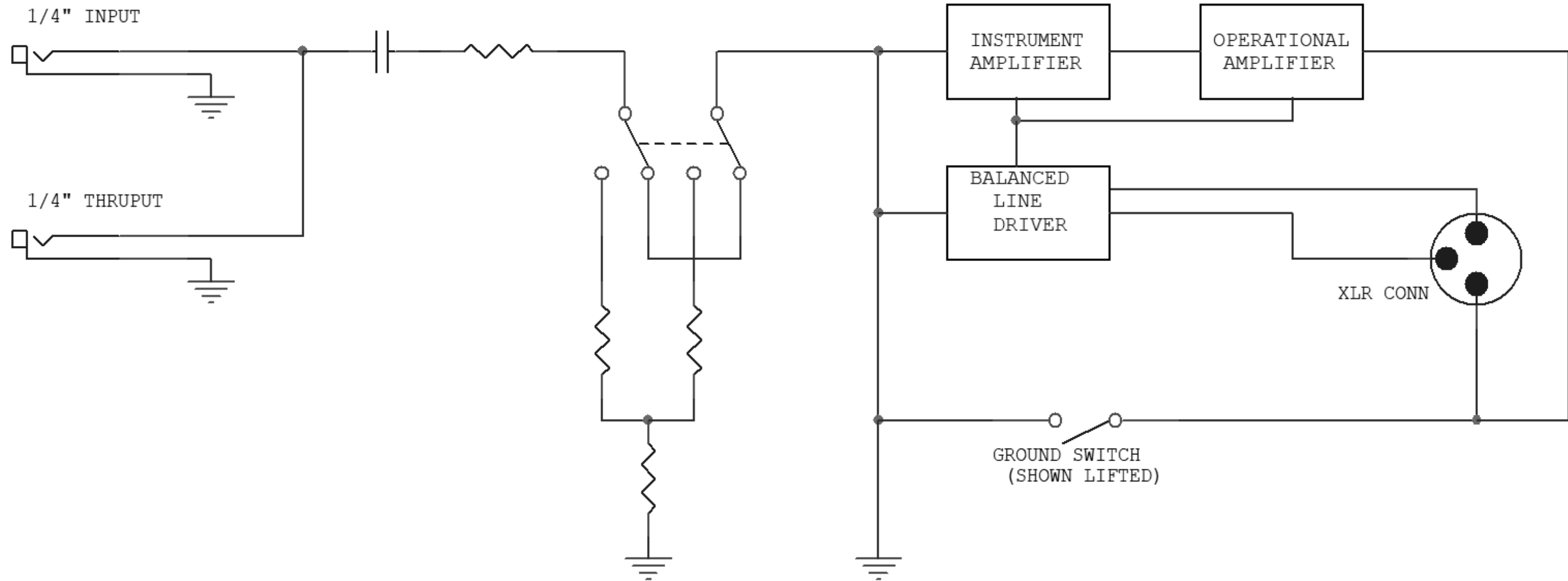
Switchcraft®

Parameter	Performance	Conditions
Frequency Response	30Hz - 30kHz	+/-0.3dB, ref 1kHz
Total Harmonic Distortion + Noise	< 0.008% <0.04%	at 1kHz, +4dBu Input, 22kHz Bandwidth at 20Hz, +4dBu Input, 22kHz Bandwidth
Maximum Input Level	+12dBu +32dBu	at 20Hz with 1% THD+Noise With 20dB Pad Engaged
Input Impedance	> 1MΩ	at 1kHz
Output Impedance	< 600Ω	at 1kHz
Common Mode Rejection Ratio (CMRR)	>86dB >65dB	at 60Hz, Input at 60Hz, Output
Deviation from Linear Phase	< 16° < 1° < -12°	at 20Hz at 1Khz at 20kHz
Voltage Gain	+3dB -17dB	+/-1dB +/-1dB with 20dB pad engaged
Pad Attenuation	20dB	+/-1dB

Notes: All measurements were taken with a 25Ω unbalanced source and measured from the XLR with a 1kΩ balanced load.

CUSTOMER DRAWING

SCALE 1:2		
DATE DRAWN 12/13/13		
DRAWN BY AM	PART No. SC800A	REV B



CUSTOMER DRAWING

SCALE 1:2	Switchcraft [®]	
DATE DRAWN 12/13/13		
DRAWN BY AM	PART No. SC800A	REV B