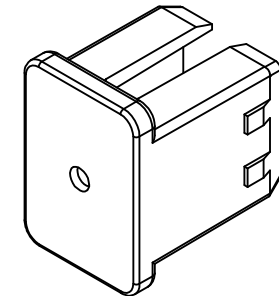
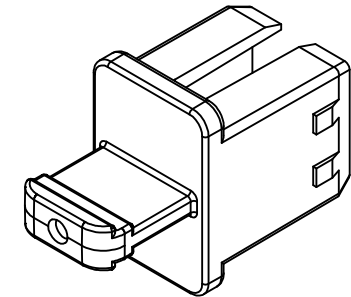
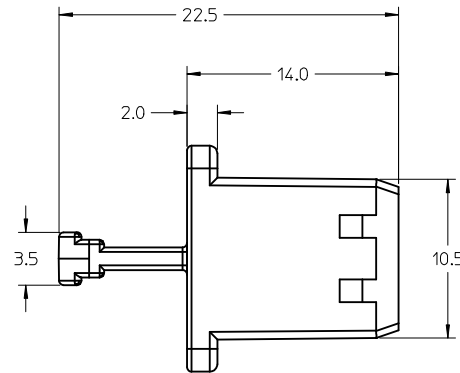
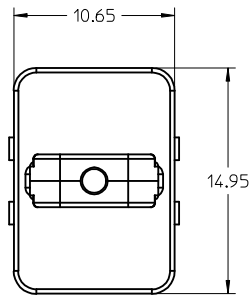
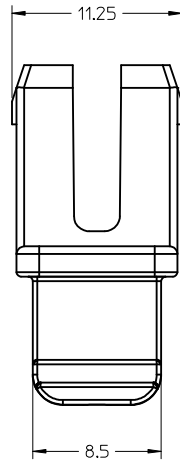


NOTES:

1. MATERIAL: PLATABLE GRADE LCP 30% GLASS FILLED
2. PLATING (MINIMUM): 3.8 μ M BRIGHT NICKEL OVER 2.54 μ M COPPER UNDERPLATE.
3. PLUG CAN BE USED WITH ALL MOLEX IPASS EXTERNAL CAGE ASSEMBLIES.
4. PART CONFORMS TO MOLEX COSMETIC SPECIFICATION PS-45499-002, SURFACES TO BE CLASS 'B'.



MATERIAL NO.	PLATED	DESCRIPTION
76866-8806	NO	DUST PLUG W/PULL TAB
76866-8816	YES	DUST PLUG W/PULL TAB
76866-8807	NO	DUST PLUG
76866-8817	YES	DUST PLUG

REV PER IR28146 EC NO: UCP2013-5069 DRAWN: KBINGHAM 2013/05/28 CHKD: TMCCLELLAND 2013/05/29 APPR: TMCCLELL 2013/05/29	QUALITY SYMBOLS ▽=0 ▽=0 ▽=0	GENERAL TOLERANCES (UNLESS SPECIFIED)		DIMENSION STYLE MM ONLY	SCALE 4:1	DESIGN UNITS METRIC	THIRD ANGLE PROJECTION											
		4 PLACES ± --- ± ---	3 PLACES ± --- ± ---	2 PLACES ± 0.13 ± ---	1 PLACE ± 0.25 ± ---	0 PLACE ± --- ± ---	ANGULAR ± 2°	DRAFT WHERE APPLICABLE MUST REMAIN WITHIN DIMENSIONS	DRAWN BY KBINGHAM	DATE 2013/03/08	CHECKED BY TMCCLELLAND	DATE 2013/03/11	APPROVED BY TMCCLELL	DATE 2013/03/11	TITLE IPASS PLUS HD DUST PLUG WITH & W/O PULL TAB EXTERNAL CAGES	MATERIAL NO. SEE CHART	DOCUMENT NO. SD-76866-8806	SHEET NO. 1 OF 1
THIS DRAWING CONTAINS INFORMATION THAT IS PROPRIETARY TO MOLEX INCORPORATED AND SHOULD NOT BE USED WITHOUT WRITTEN PERMISSION																		