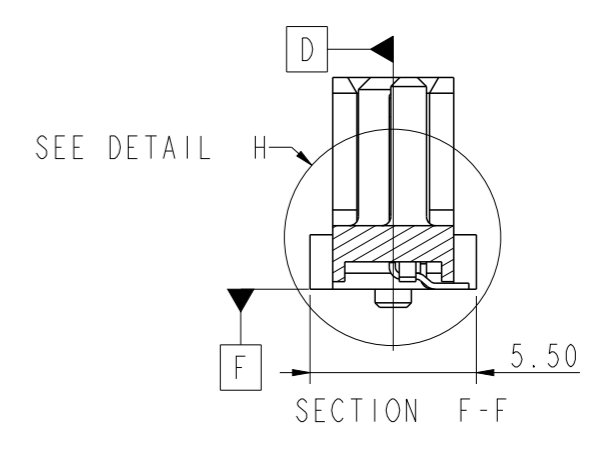
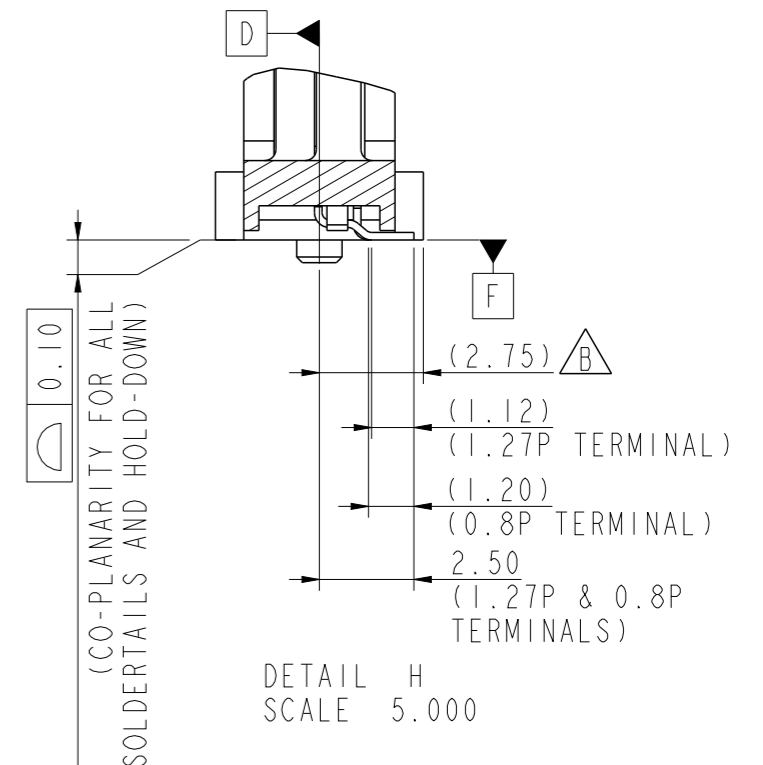
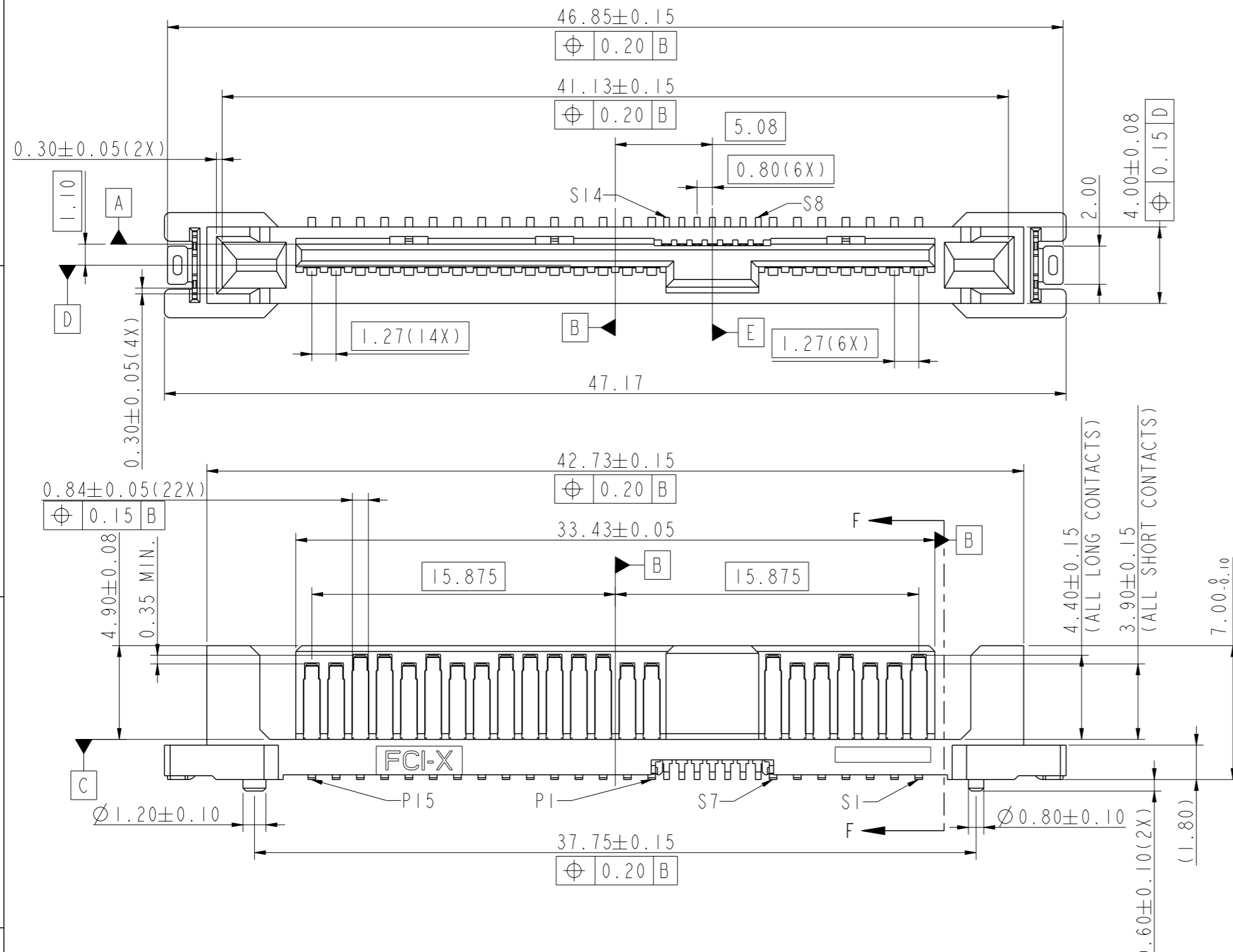


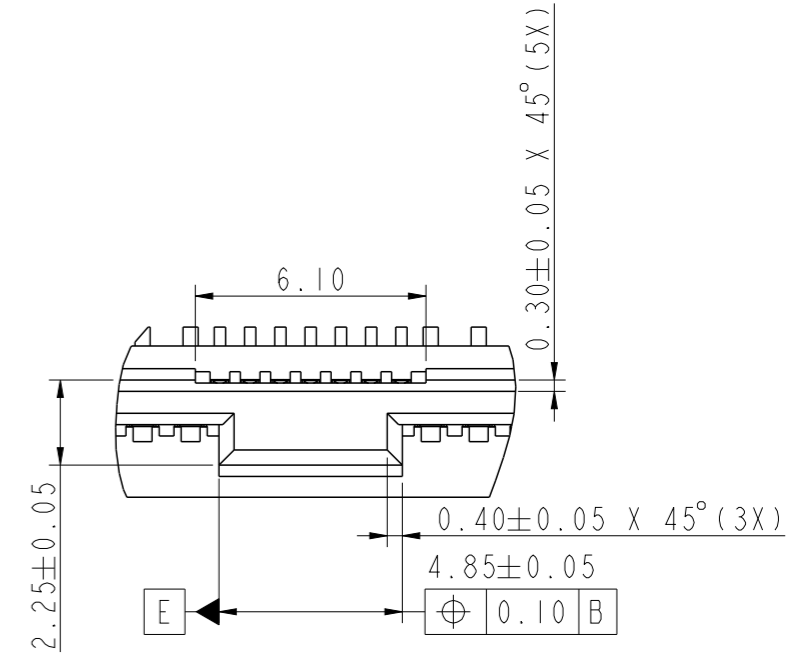
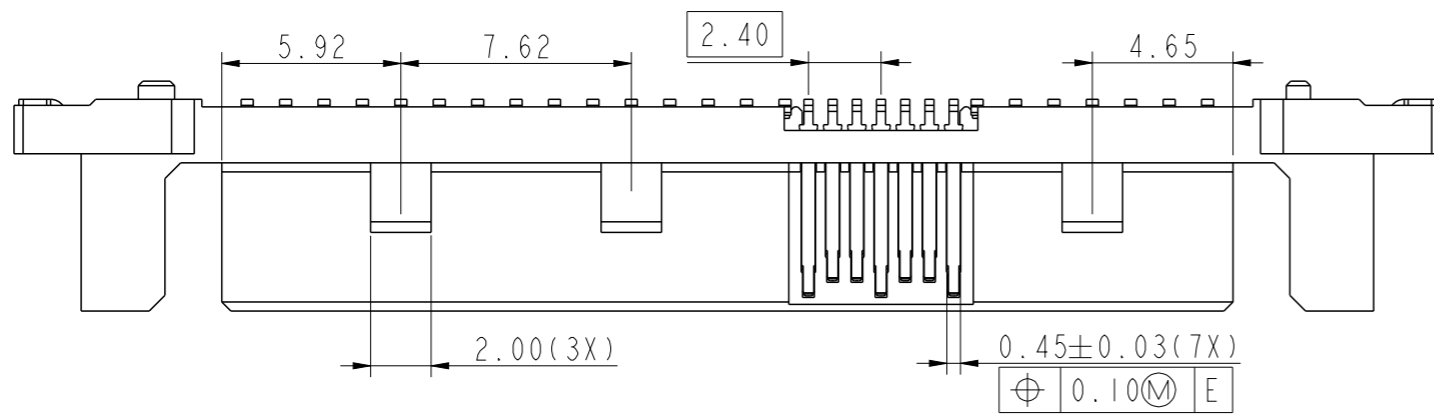
PRODUCT NO.
10129880-001C-TRLF



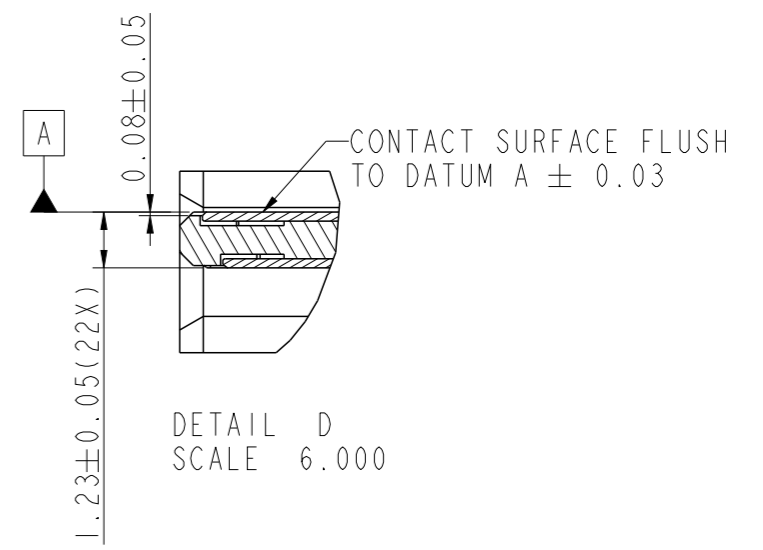
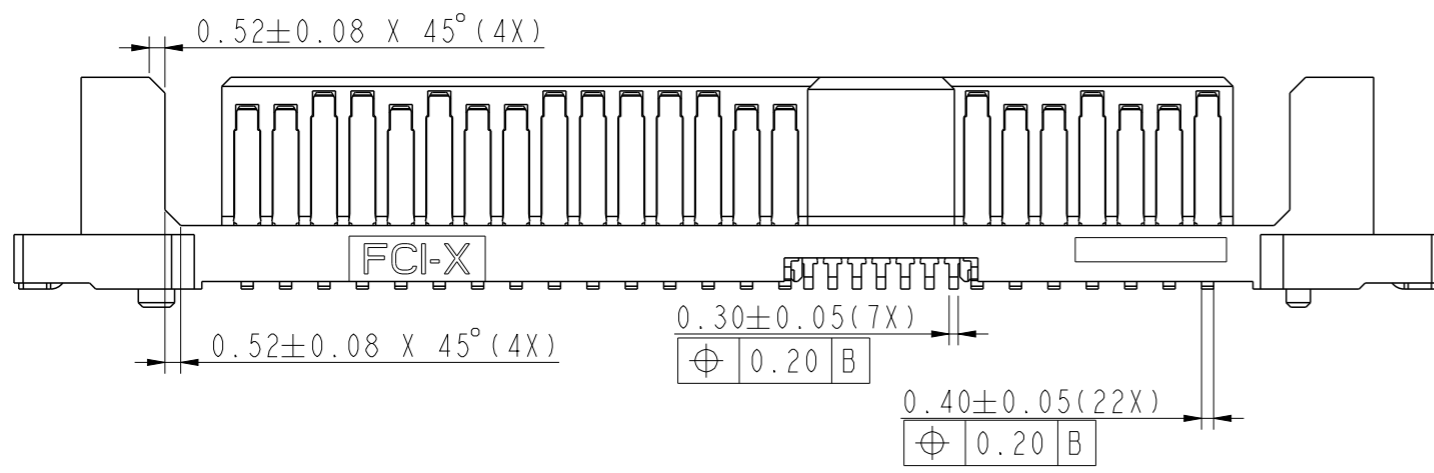
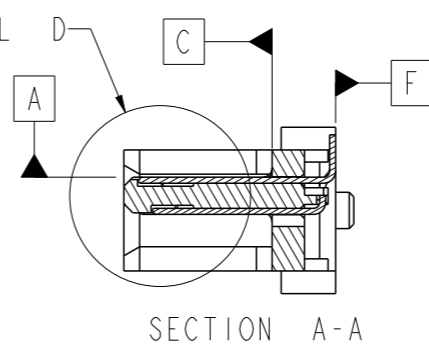
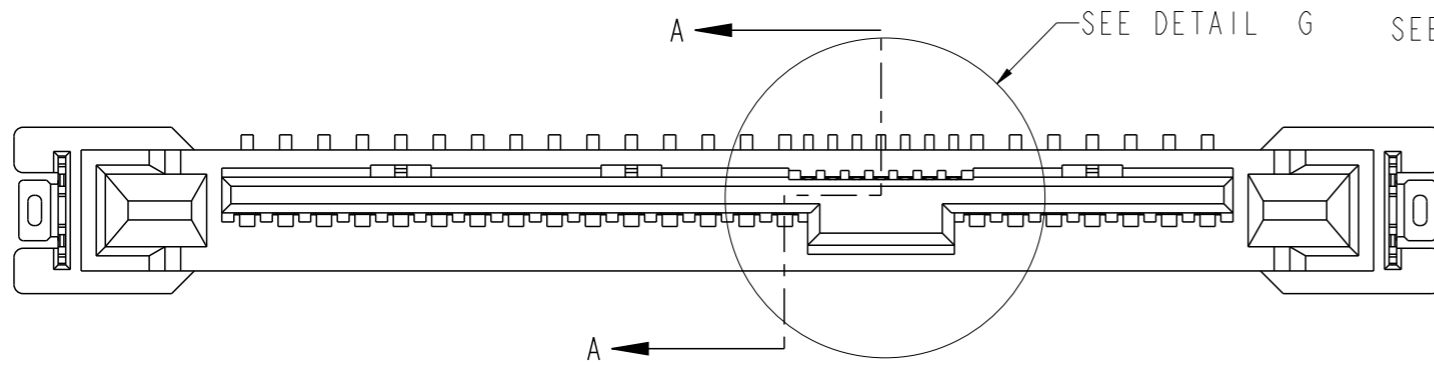
Copyright FCI.

| | | | | | | | | | |
|--|-------------------|-------------|--------------|------------|--|--------------------|---------------|------------|------------------------|
| spec ref | dr | Jeffrey Lim | 2014/08/22 | projection | MM | size | A3 | scale | 4.000 |
| tolerance std | eng | Jeffrey Lim | 2015/11/24 | | | ecn no | ELX-S-22597-1 | rel level | Released |
| ASME Y14.5 | chr | - | - | | | | | | |
| TOLERANCES UNLESS OTHERWISE SPECIFIED surface ✓ | linear angular | 0.X | ±0.25 | | title 12G SAS PLUG VERTICAL SMT ASSY | dwg no 10129880 | rev B | ASME Y14.5 | |
| | | 0.XX | ±0.13 | | | | | cat. no. | Product - Customer Drw |
| 0.XXX | ±0.050 | www.fci.com | sheet 1 of 3 | | | | | | |
| ASME Y14.5 | 0° | ±2° | | | | | | | |

PRODUCT NO.
SEE TABLE



DETAIL G
SCALE 5.000

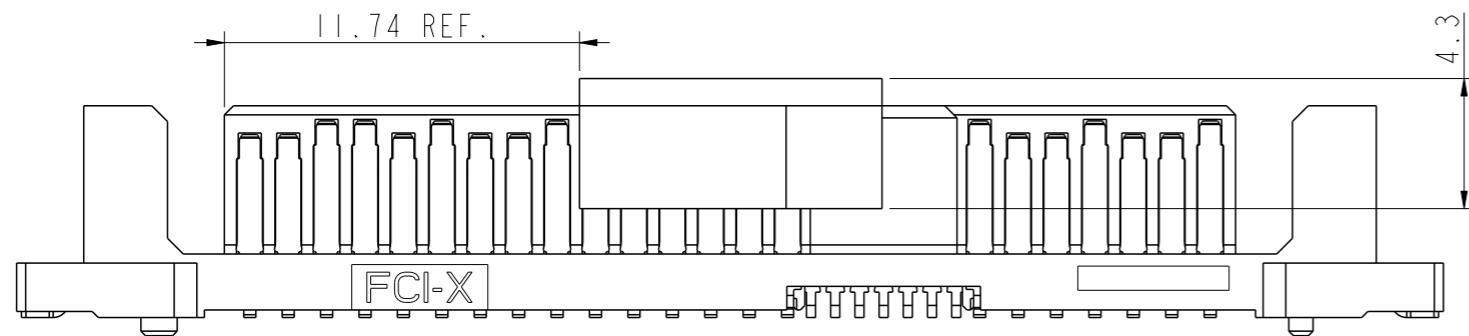
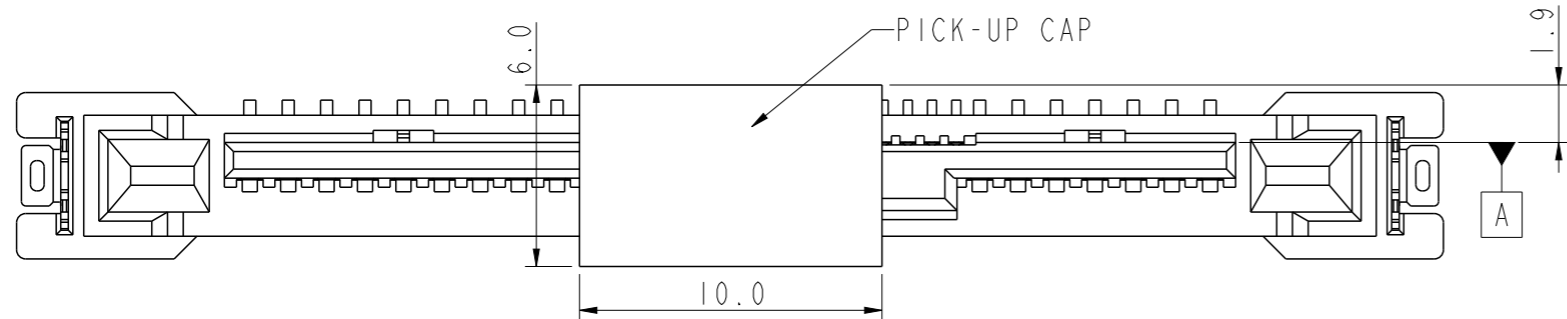


DETAIL D
SCALE 6.000

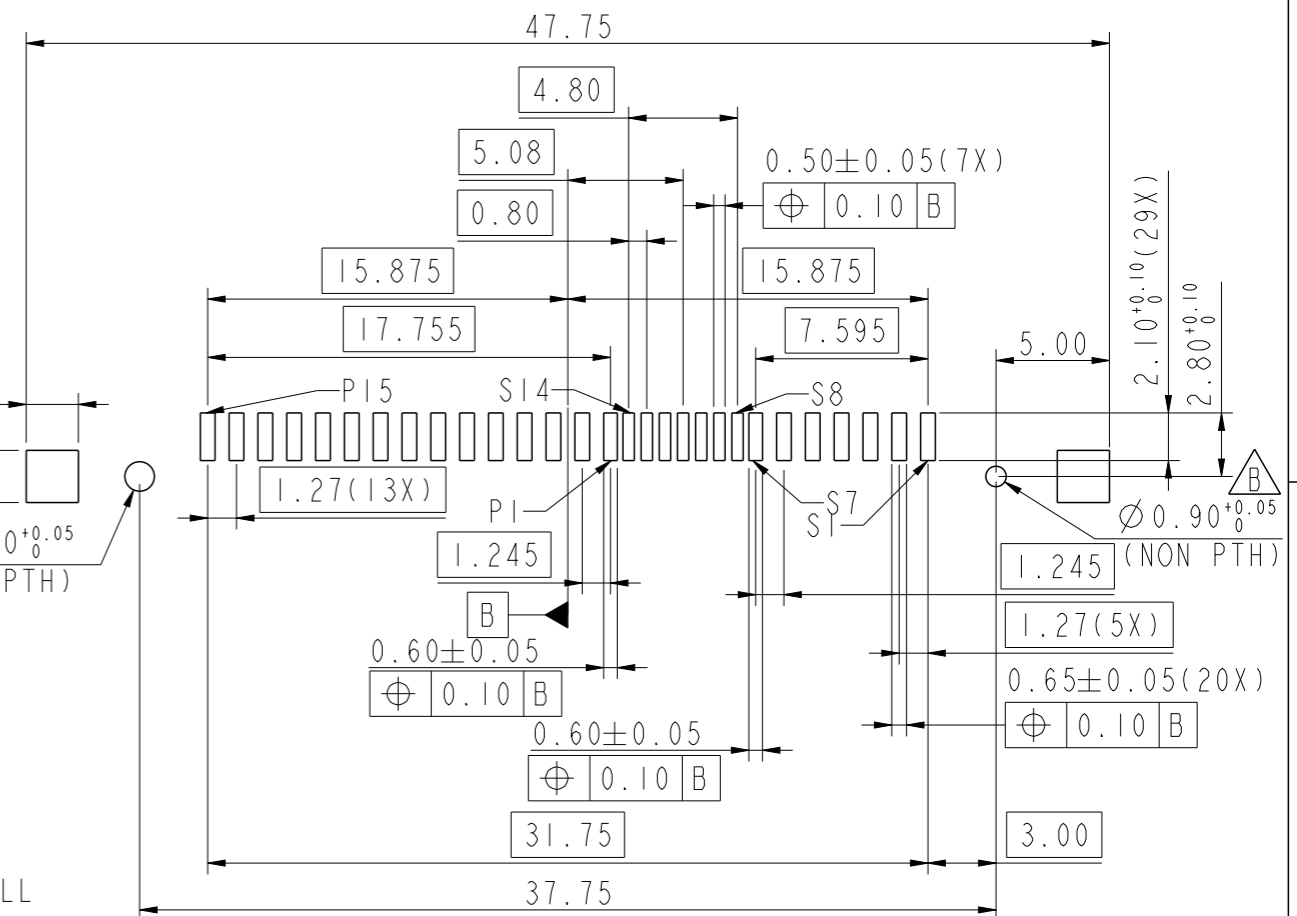
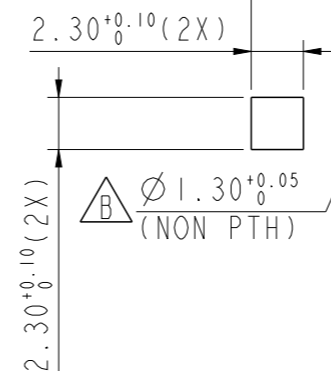
Copyright FCI.

| | | | | | | | | | | |
|---------------|---------|---------------------------------------|-------------|-------------|-------------|----------|------------------------|---------------|----------|-------|
| spec ref | | dr | Jeffrey Lim | 2014/08/22 | projection | MM | size | A3 | scale | 4.000 |
| tolerance std | | eng | Jeffrey Lim | 2015/11/24 | | | ecn no | ELX-S-22597-1 | | |
| ASME Y14.5 | | TOLERANCES UNLESS OTHERWISE SPECIFIED | | | chr | - | product family | rel level | Released | |
| surface | ✓ | linear | 0.X | ±0.25 | www.fci.com | cat. no. | Product - Customer Drw | sheet 2 of 3 | rev | B |
| | | | 0.XX | ±0.13 | | | | | | |
| 0.XXX | ±0.050 | | | | | | | | | |
| ASME Y14.5 | angular | 0° | ±2° | www.fci.com | | cat. no. | Product - Customer Drw | sheet 2 of 3 | rev | B |

| | | |
|--------------------|------------------|-------------|
| PRODUCT NO. | WITH PICK-UP CAP | PACKAGING |
| 10129880-001C-TRLF | YES | TAPE & REEL |



SCALE 4.000
WITH PICK-UP CAP ATTACHMENT



SCALE 3.000
RECOMMENDED PCB LAYOUT

NOTES:

- MATERIAL:
HOUSING & PICK-UP CAP: HIGH TEMPERATURE THERMOPLASTIC, BLACK, UL94V-0
CONTACT & HOLD DOWN: COPPER ALLOY
- FINISH:
CONTACT: 1.27um MIN. Ni UNDERPLATE OVERALL,
1.91um MIN. 100% MATTE Sn(LEAD-FREE) ON SOLDER TAIL,
0.38um MIN. Au ON CONTACT AREA
HOLD DOWN: 1.91um MIN. 100% MATTE Sn(LEAD-FREE) OVER 1.27um MIN. Ni UNDERPLATE OVERALL
- PRODUCT SPEC.: GS-12-1120
- PACKAGING SPEC.: GS-14-1038
- THIS PRODUCT IS COMPLY WITH SFF-8680 SPECIFICATION
- THIS PRODUCT MEETS EUROPEAN UNION DIRECTIVES AND OTHER COUNTRY REGULATIONS AS DESCRIBED IN GS-47-0004
- THE HOUSING WILL WITHSTAND EXPOSURE TO 260°C PEAK TEMPERATURE FOR 10 SECONDS IN A CONVECTION, INFRA-RED OR VAPOR PHASE REFLOW OVEN
- A SYMBOL $\triangle B$ WILL BE NEXT TO ANY DIMENSION, VIEW OR NOTE WHICH HAS BEEN MODIFIED WITH THE CURRENT DRAWING REVISION



Copyright FCI.

| | | | | | | | | | |
|---------------------------|---------|-------------|------------|-------------|----|--|---------------|------------------------|----------|
| spec ref | dr | Jeffrey Lim | 2014/08/22 | projection | MM | size | A3 | scale | 1.000 |
| tolerance std | eng | Jeffrey Lim | 2015/11/24 | | | ecn no | ELX-S-22597-1 | rel level | Released |
| ASME Y14.5 | chr | - | - | | | | | | |
| surface | linear | 0.X | ±0.25 | | | title 12G SAS PLUG VERTICAL SMT ASSY | | dwg no 10129880 | |
| ASME Y14.5 | angular | 0.XX | ±0.13 | | | | | | |
| | | 0.XXX | ±0.050 | | | | | | |
| ASME Y14.5 angular 0° ±2° | | | | www.fci.com | | cat. no. - | | Product - Customer Drw | |