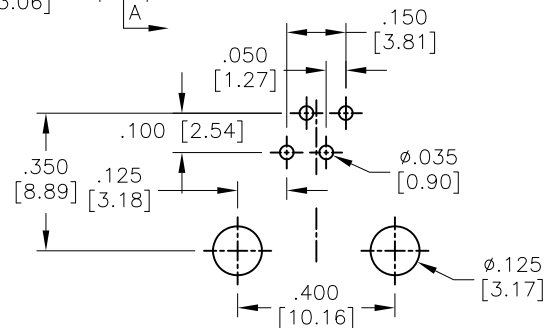
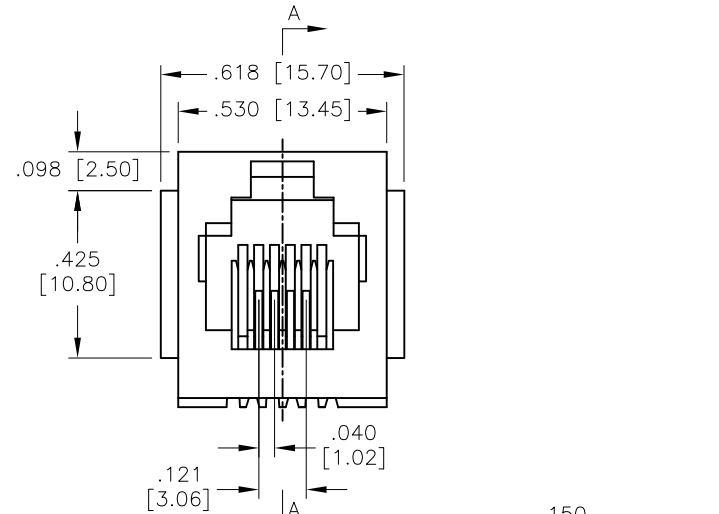
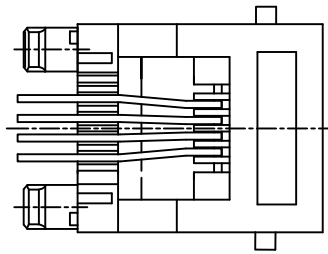
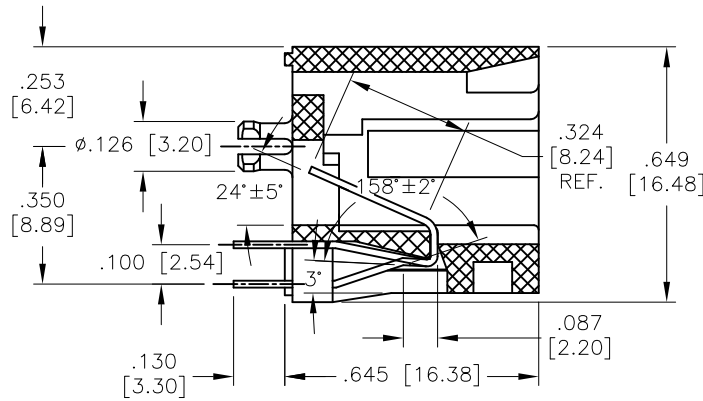
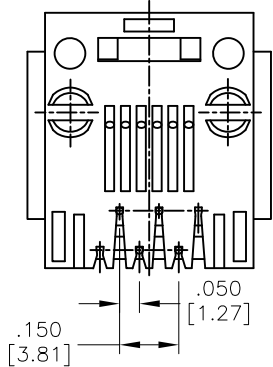


APPROVED: _____
 DATE: _____ TITLE: _____

Rev	AWO #	Description	Date	Appr
-		RELEASED	02/06/04	
A		REDRAWN	9/23/11	
B		REVISED DIM.	9/23/11	AY
C		UPDATED DRAWING	8/1/18	HR/TW
D		UPDATED DRAWING	11/4/19	LH/TW



SPECIFICATIONS:

Material:
 Insulator: PBT, rated UL 94V-0
 Insulator color: Black
 Contacts: Phosphor Bronze
 Plating:
 Round contact
 Gold over Nickel underplate overall
 Flat contact
 Gold over Nickel underplate on contact area,
 Tin over Nickel underplate on solder tails
 Electrical:
 Voltage rating: 150 VAC RMS
 Current rating: 1.5 Amp
 Contact resistance: 20 mohms max
 Insulation resistance: 1000 Mohms min @ 500 VDC
 Dielectric withstanding voltage:

1000 VAC/DC (Contact to Contact)
 1500 VAC/DC (Contact to Screen & Test Panel) for 1 minute
 Temperature Rating:
 Operating temperature: -40°C to +85°C

Environmental:
 Lead free, RoHS compliant.



UNLESS OTHERWISE SPECIFIED ALL DIMENSIONS ARE INCHES [MM] TOLERANCES: EXCEPT AS NOTED	
INCHES	HOLES
.X ± .10	ϕ .X ± .10
.XX ± .020	ϕ .XX ± .015
.XXX ± .015	ϕ .XXX ± .010
APPROVALS	
DRAWN	DATE
SS	02/06/04
CHECKED	
APPROVED	

ADAM TECH INTERCONNECTS
 909 Rahway Avenue,
 Union, NJ 07083
 Phone: 908-687-5000
 Fax: 908-687-5710

TITLE		MODULAR TELEPHONE JACK, VERTICAL, TOP ENTRY, 6 POSITION, 4 CONTACT	
SIZE	PART NO.	REV.	
X	MTJ-643X1	D	
REF:	S00005C	SCALE:	NTS
		SHEET 1 OF 1	