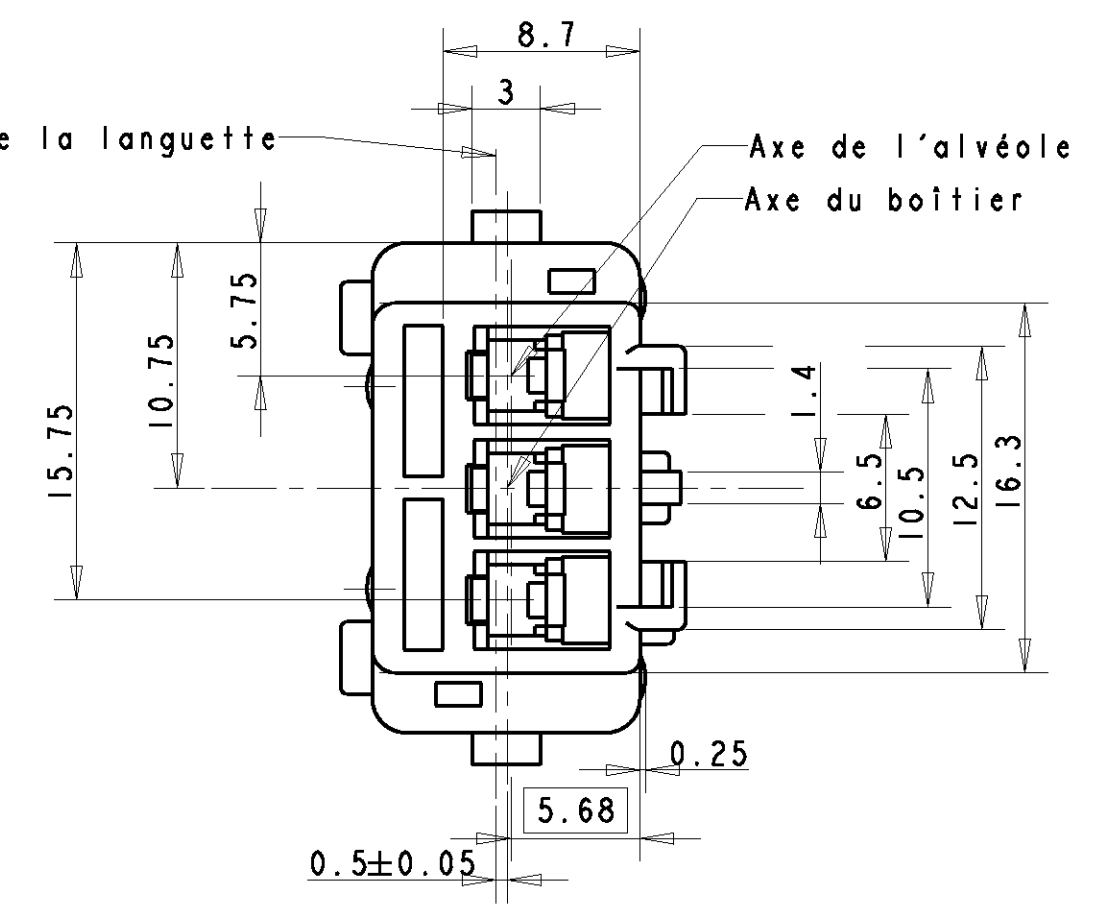
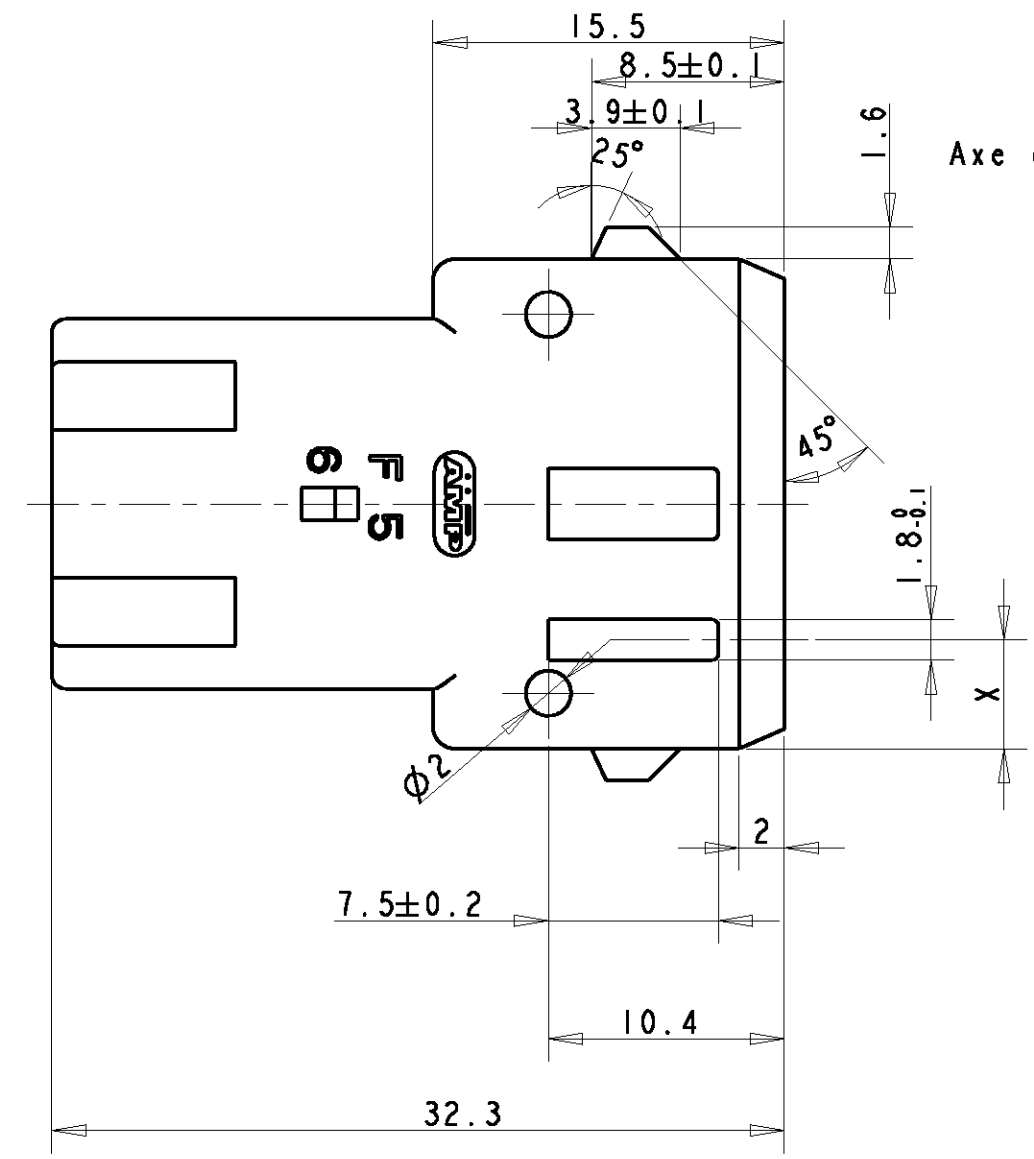
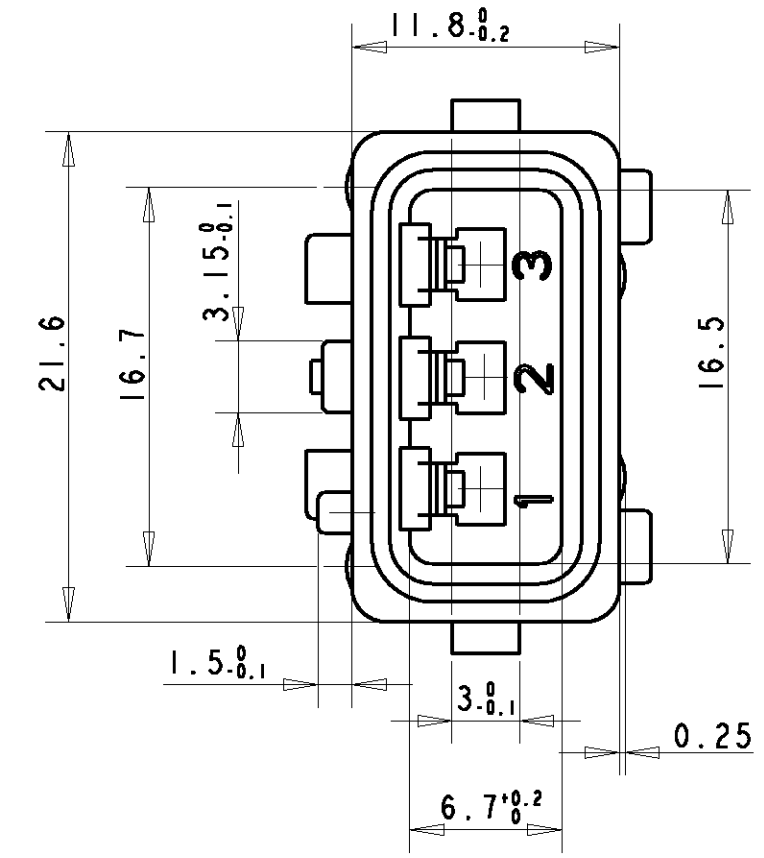
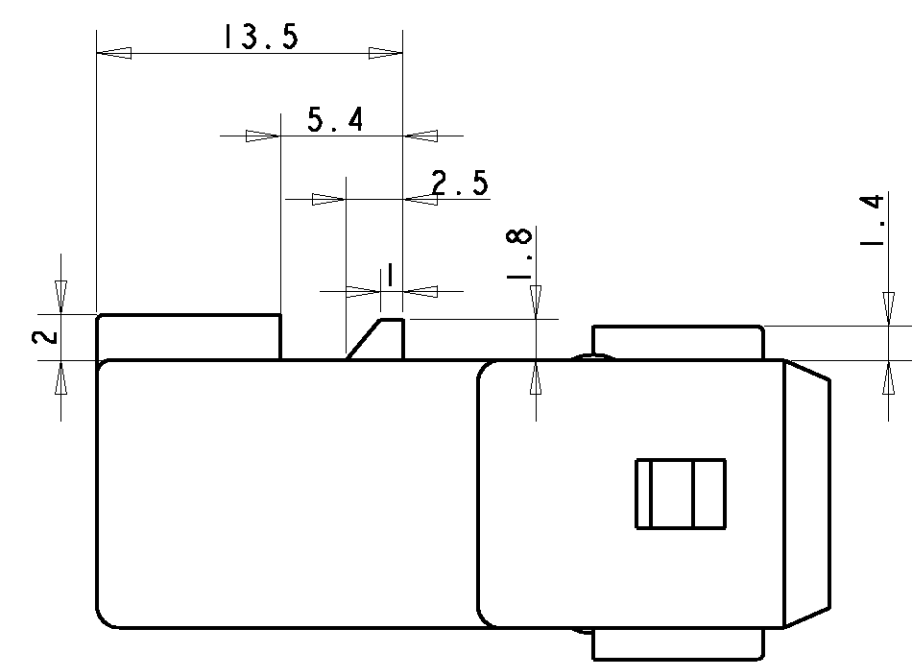
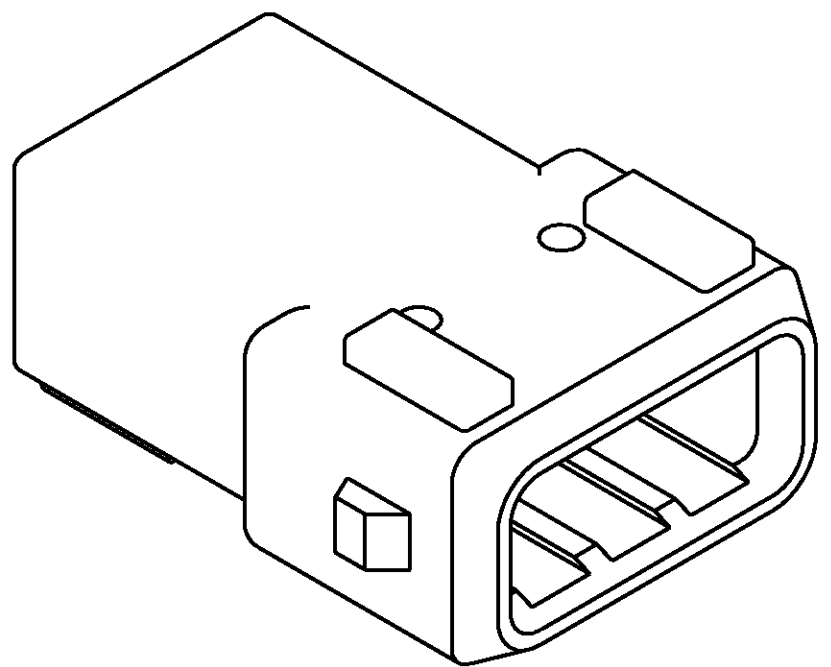


THIS DRAWING IS UNPUBLISHED. RELEASED FOR PUBLICATION 20
 © COPYRIGHT 20 BY TYCO ELECTRONICS CORPORATION. ALL RIGHTS RESERVED.

LOC		DIST		REVISIONS			
P	LTR	DESCRIPTION	DATE	DWN	APVD		
		C	REDESSINE AVEC PROE	15NOV2006	RP	JPP	



DETROMPAGE		
COULEUR	" X "	REFERENCE
NOIR	AUCUN DETROMPAGE	1-144546-0
MARRON	4.8	1-144546-1
VERT	6.6	1-144546-5
GRIS	8.4	1-144546-8
BLEU	13.2	1-144546-6
BLANC	15	1-144546-9
VIOLET	AUCUN DETROMPAGE	1-144546-7

REFERENCE REPRESENTEE: 1-144546-1

<small>THIS DRAWING IS A CONTROLLED DOCUMENT FOR TYCO ELECTRONICS CORPORATION IT IS SUBJECT TO CHANGE AND THE CONTROLLING ENGINEERING ORGANIZATION SHOULD BE CONTACTED FOR THE LATEST REVISION</small>		DWN: R. PATIN 15NOV2006 CHK: JP. PICAUD 15NOV2006 APVD: J. DAHER 15NOV2006	tyco Electronics Tyco Electronics France SAS 95300 Pontoise, France
DIMENSIONS: mm	TOLERANCES UNLESS OTHERWISE SPECIFIED: 0 PLC ± 1 PLC ±0.3 2 PLC ± 3 PLC ± 4 PLC ± ANGLES ±5° FINISH	PRODUCT SPEC: - APPLICATION SPEC: - WEIGHT: -	NAME: PORTE-LANGUETTE ETANCHE 3 VOIES MIC IV SIZE: A2 CAGE CODE: 00779 DRAWING NO: C-144546 RESTRICTED TO: -
MATERIAL: PA 6.6 GF20	CUSTOMER DRAWING	SCALE: 3:1 SHEET 1 OF 1 REV C	