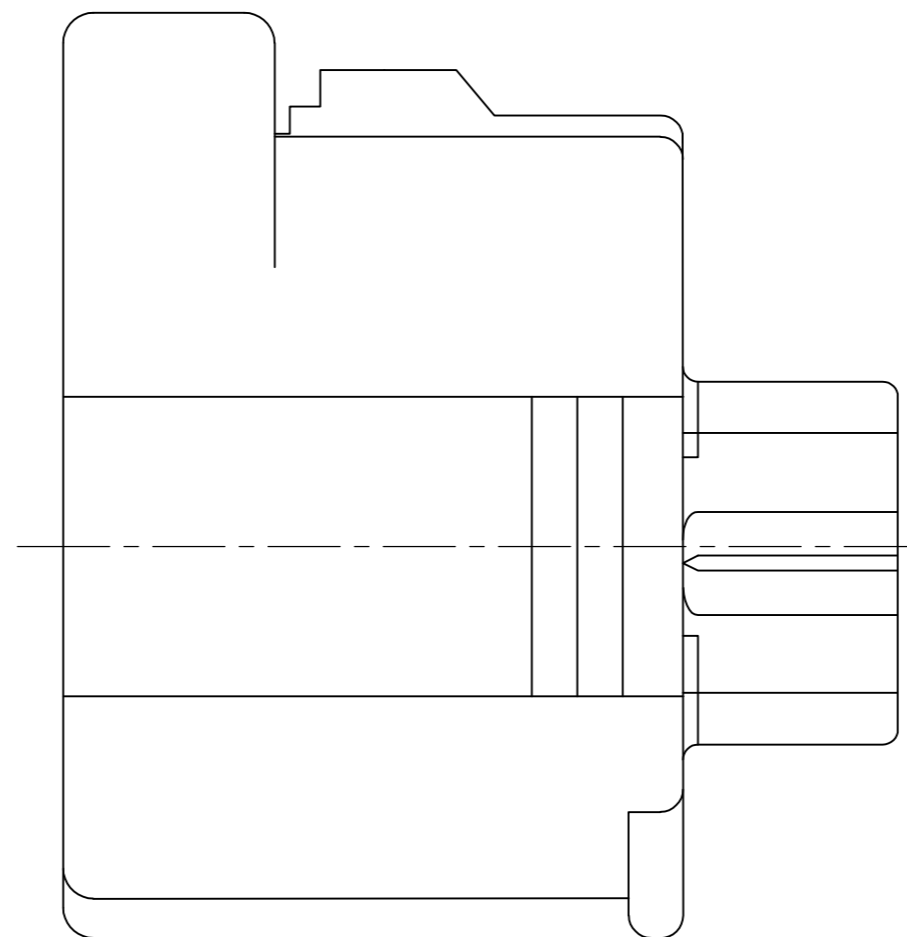
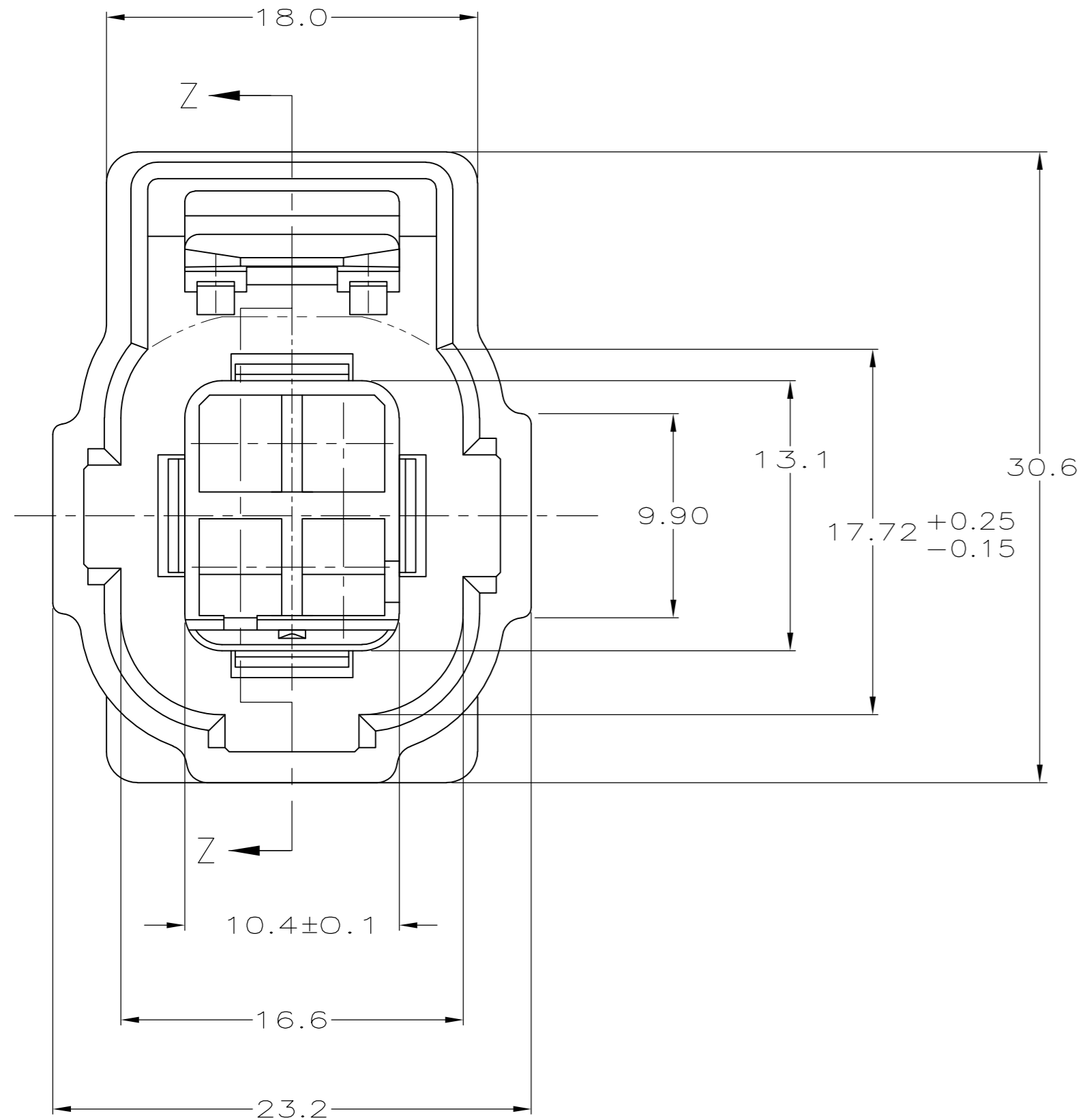
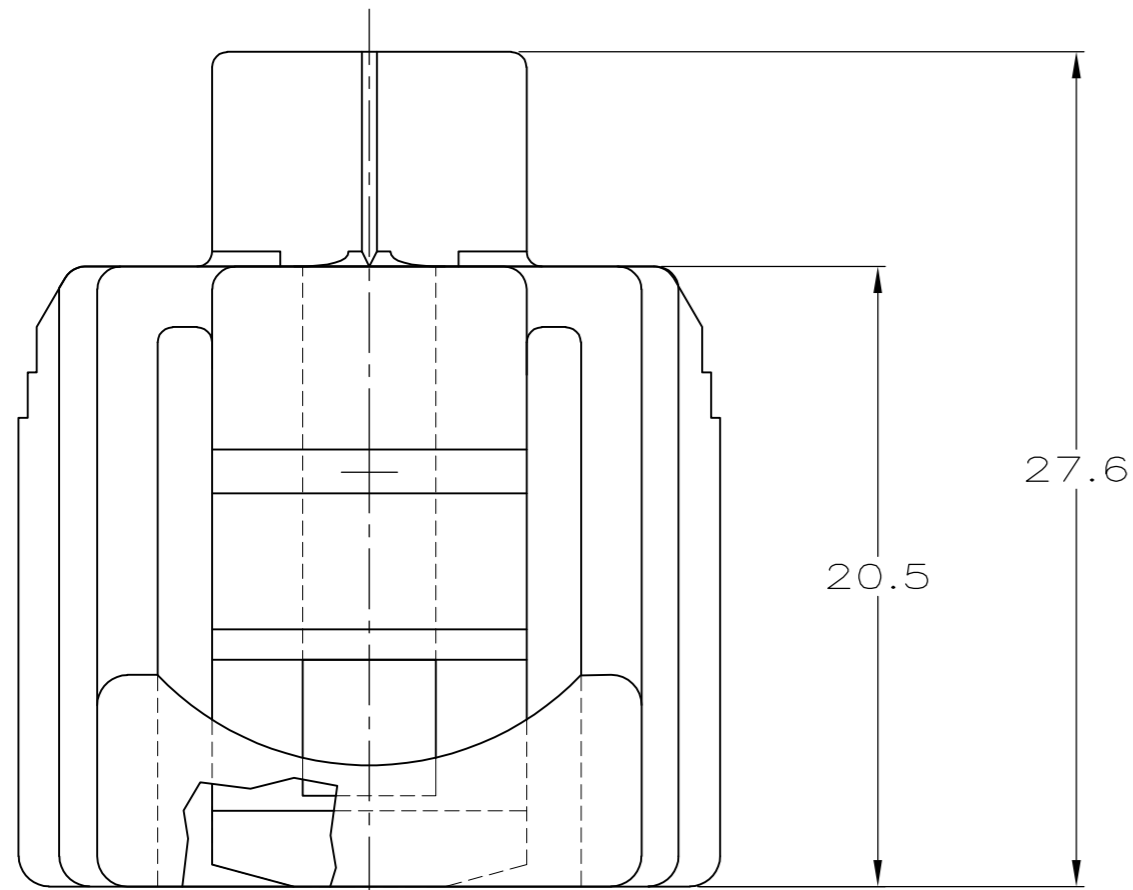


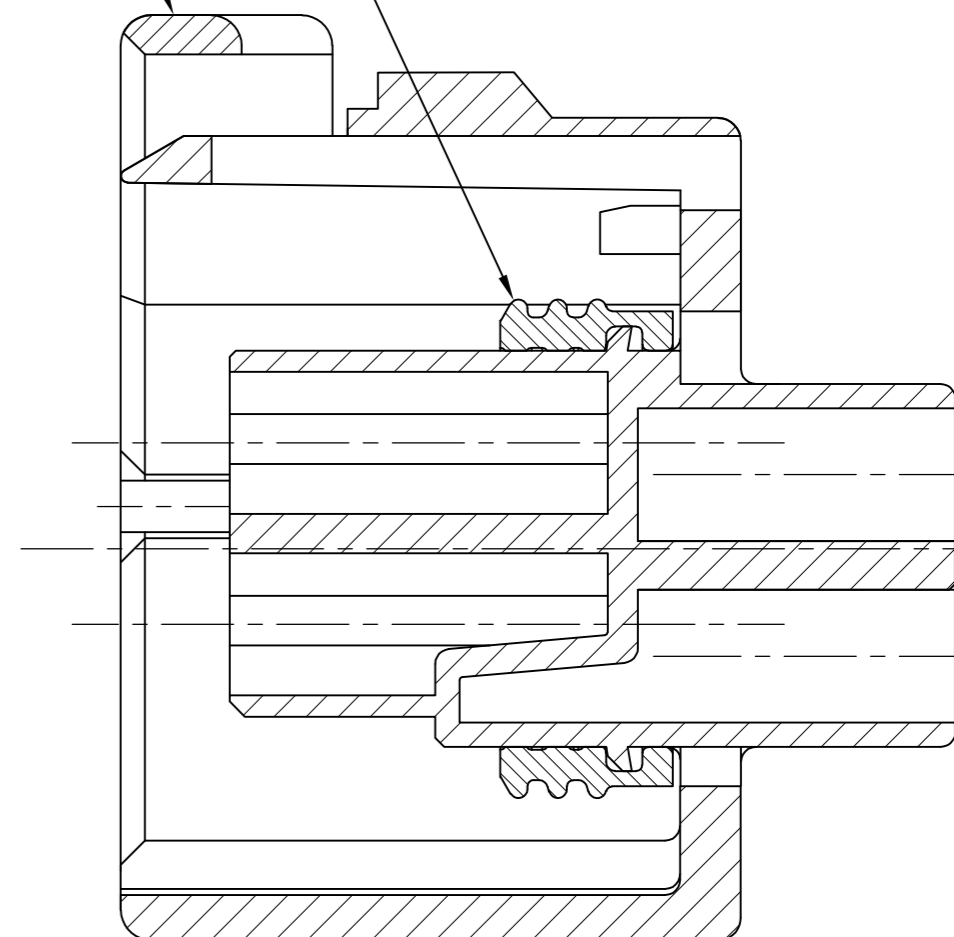
THIS DRAWING IS UNPUBLISHED. RELEASED FOR PUBLICATION
 © COPYRIGHT BY TYCO ELECTRONICS CORPORATION. ALL INTERNATIONAL RIGHTS RESERVED.

LOC		DIST		REVISIONS			
P	LTR	DESCRIPTION		DATE	DWN	APVD	
B		REVISED PER ECO-09-008507		09APR2009	DD	MB	



PLUG HOUSING
 MATL: 4/6 NYLON, 30% GLASS FILLED
 COLOR, BLACK

SEAL RING
 MATL: SILICONE RUBBER
 COLOR, BROWN



SECTION Z-Z
 SCALE 4:1

184391-1
 PART NUMBER

THIS DRAWING IS A CONTROLLED DOCUMENT.		DWN P. YEAGER 11JAN00	Tyco Electronics Corporation Harrisburg, PA 17105-3608	
DIMENSIONS: mm		CHK M. HUDDLESTON 11JAN00	NAME 2X2 DELETE PLUG ASSEMBLY, CLASS 4	
TOLERANCES UNLESS OTHERWISE SPECIFIED: 0 PLC ± - 1 PLC ± - 2 PLC ± - 3 PLC ± - 4 PLC ± - ANGLES ± -		APVD M. HUDDLESTON 11JAN00	PRODUCT SPEC APPLICATION SPEC	
MATERIAL -		FINISH -	WEIGHT -	RESTRICTED TO -
		CAGE CODE A2 00779	DRAWING NO C=184391	SCALE 4:1
		CUSTOMER DRAWING		SHEET 1 of 1 REV B