

Midget Screw

16 SERIES

- MIDGET SCREW NON-GROUNDED OR GROUNDED LAMPHOLDERS
- BRASS SHELL
- 6" WIRE LEADS, PRINTED CIRCUIT BOARD OR SOLDER LUG TERMINALS
- MAXIMUM RATING: 15 WATTS, 28 VOLTS

Overview

The 16 Series lampholders are constructed with a brass shell and 6" wire leads, solder lug terminals or printed circuit board terminals. Most lampholders can be supplied as either non-grounded or grounded units. Non-grounded units are supplied with two wire leads, two tinned solder lug or printed circuit board terminals. Grounded units are supplied with one tinned solder lug terminal or one wire lead, unless otherwise noted. Many bracket and mounting options are available including a 3/8" mounting hole plug button and a threaded bushing for 17/64" mounting holes. Lampholders are designed for use in low voltage applications with midget screw lamps.

Specifications

Shell: brass.

Terminals:

Solder lug: tinned brass, 3/32" length x 0.015" thick, with two wire holes 3/64" in diameter. Non-grounded units are supplied with two terminals. Grounded units are supplied with one terminal.

Printed circuit board solder terminals: tinned steel.

Wire leads:

6" Leads: #26 AWG, black and white, PVC insulated, stripped 1/2". Non-grounded units are supplied with two 6" wire leads. Grounded units are supplied with one black 6" wire lead. Custom wire lengths, stripping, termination and wire types are also available.

Mounting:

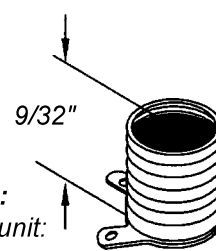
Brackets: .025" to .032" zinc plated steel. Custom brackets and plating types are available.

Plug button: zinc plated steel for 3/8" mounting hole.

Maximum rating: 15 Watts, 28 Volts.

Non-grounded unit

16-07

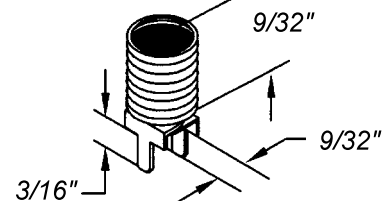


For grounded terminal unit: 16-07-1.

For wire leads:
Non-grounded unit: **16-207.**
Grounded unit: **16-207-1.**

Designed for mounting on a printed circuit board with two 0.070" holes spaced 0.296" apart.

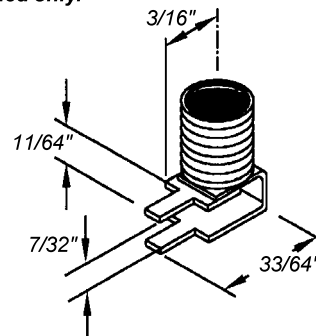
16-35



Non-grounded only.

Non-grounded only.

16-35H



Designed for horizontal mounting on a printed circuit board with two 0.070" holes spaced 0.296" apart.

Midget Screw

16 SERIES

Maximum Rating: 15 Watts, 28 Volts
Non-Grounded or Grounded

Brass Shell
Solder Lug Terminals, Wire Leads or
Printed Circuit Board Terminals

