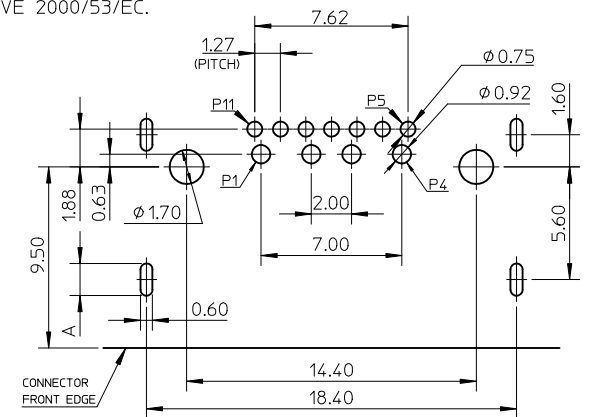
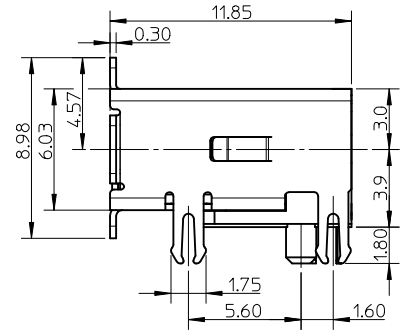
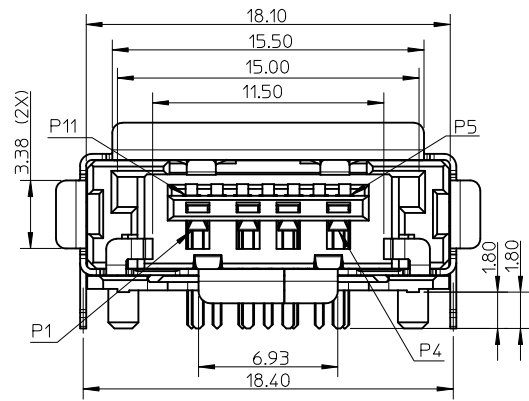
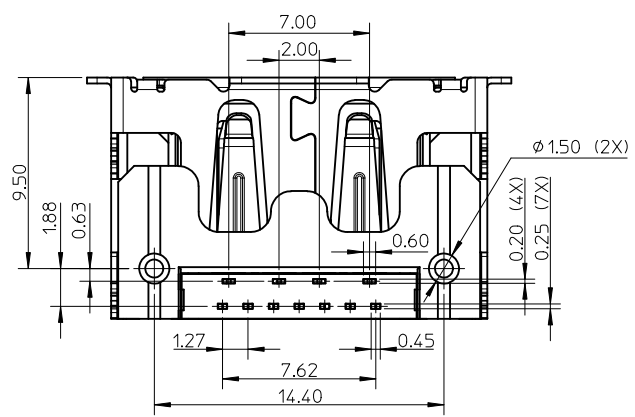


- NOTES:
- MATERIAL:
    - HOUSING: HIGH TEMPERATURE THERMOPLASTIC, 30% GLASS FILLED, BLACK, UL94V-0.
    - TAIL GUIDER: HIGH TEMPERATURE THERMOPLASTIC, 30% GLASS FILLED, BLACK, UL94V-0.
    - TERMINAL-1: COPPER ALLOY.
    - TERMINAL-2: COPPER ALLOY.
    - METAL SHELL: STAINLESS STEEL.
  - TERMINAL PLATING:
    - CONTACT AREA: GOLD PLATING. DETAIL SEE TABLE,
    - SOLDER AREA: 2.0 MICROMETRE MINIMUM MATTE TIN PLATING,
    - UNDER PLATING: 1.27 MICROMETRE MINIMUM NICKEL PLATING.
  - METAL SHELL PLATING: SOLDERABLE NICKEL PLATING.
  - DATE CODE: YYMMDD, 'YY' REPRESENTS YEAR, 'MM' REPRESENTS MONTH, 'DD' REPRESENTS DATE.
  - PRODUCT SPECIFICATION: PS-47403-001.
  - PACKAGE SPECIFICATION: PK-105125-001.
  - PRODUCT COMPLIANT TO RoHS DIRECTIVE 2002/95/EC AND ELV DIRECTIVE 2000/53/EC.



PIN ASSIGNMENT

USB		ESATA	
NAME	TYPE	NAME	TYPE
P1	VBUS	P5	GND
P2	D-	P6	A+
P3	D+	P7	A-
P4	GND	P8	GND
		P9	B-
		P10	B+
		P11	GND



RECOMMEND PCB LAYOUT, T=1.2mm  
PCB TOLERANCE: ±0.05

DIMENSION-A	BOARDLOCK FUNCTION
1.6	AVAILABLE
1.9	UNAVAILABLE

105125-2002	0.76 MICROMETRE MIN. GOLD PLATING
105125-2001	0.38 MICROMETRE MIN. GOLD PLATING
105125-2000	GOLD FLASH
P/N	CONTACT AREA PLATING

<p><b>NEW RELEASE</b> EC NO: SH2010-0450 DRWN:XQZHANG CHKD:GLLI APPR:XJSONG</p>	<p>2010/05/31 2010/06/04 2010/06/29</p>	<p>QUALITY SYMBOLS F<sub>A</sub>=0 F<sub>C</sub>=0 F<sub>P</sub>=0</p>	<p>GENERAL TOLERANCES (UNLESS SPECIFIED)</p>		<p>DIMENSION STYLE <b>MM ONLY</b></p>		<p>SCALE <b>4:1</b></p>	<p>DESIGN UNITS <b>METRIC</b></p>	<p>THIRD ANGLE PROJECTION</p>															
			<table border="1"> <thead> <tr> <th></th> <th>mm</th> <th>INCH</th> </tr> </thead> <tbody> <tr> <td>4 PLACES</td> <td>± ---</td> <td>± ---</td> </tr> <tr> <td>3 PLACES</td> <td>± ---</td> <td>± ---</td> </tr> <tr> <td>2 PLACES</td> <td>± 0.25</td> <td>± ---</td> </tr> <tr> <td>1 PLACE</td> <td>± 0.25</td> <td>± ---</td> </tr> </tbody> </table>		mm	INCH	4 PLACES	± ---	± ---	3 PLACES	± ---	± ---	2 PLACES	± 0.25	± ---	1 PLACE	± 0.25	± ---	<p>ANGULAR ± 3 °</p>	<p>DRAWN BY XQZHANG</p>	<p>DATE 2010/01/06</p>	<p>TITLE <b>COMBO ESATA AND USB CONNECTOR TOP MOUNT TYPE</b></p>		
				mm	INCH																			
			4 PLACES	± ---	± ---																			
3 PLACES	± ---	± ---																						
2 PLACES	± 0.25	± ---																						
1 PLACE	± 0.25	± ---																						
<p>DRAFT WHERE APPLICABLE MUST REMAIN WITHIN DIMENSIONS</p>		<p>APPROVED BY XJSONG</p>	<p>DATE 2010/01/06</p>	<p><b>MOLEX INCORPORATED</b></p>																				
<p>SEE TABLE</p>		<p>MATERIAL NO.</p>	<p>DOCUMENT NO.</p>	<p><b>SD-105125-200</b></p>																				