

Features

- Lead Free Finish/RoHS Compliant ("P" Suffix designates RoHS Compliant. See ordering information)
- Ideally Suited for Automatic Insertion
- 150°C Junction Temperature
- Low Current, Low Voltage
- For Switching and AF Amplifier applications.
- Suited for low level, low noise, low frequency Applications in hybrid circuits
- Epoxy meets UL 94 V-0 flammability rating
- Moisture Sensitivity Level 1
- Halogen free available upon request by adding suffix "-HF"

Maximum Ratings

- Terminals: Solderable per MIL-STD-202, Method 208
- Weight: 0.008 grams (approx.)
- Marking :

MCC P/N	Marking	MCC P/N	Marking
BCX70G	AG	BCX70J	AJ
BCX70H	AH	BCX70K	AK

Maximum Ratings @ 25°C Unless Otherwise Specified

Charateristic	Symbol	Value	Unit
Collector-Emitter Voltage	V_{CEO}	45	V
Collector-Base Voltage	V_{CBO}	45	V
Emitter-Base Voltage	V_{EBO}	5	V
Collector Current(DC)	I_C	200	mA
Base Current(DC)	I_B	50	mA
Power Dissipation@ $T_s=79^\circ\text{C}$	P_d	250	mW
Thermal Resistance, Junction to Ambient Air	$R_{\theta JA}$	500 ⁽¹⁾	$^\circ\text{C/W}$
Operating & Storage Temperature	T_j, T_{STG}	-55~150	$^\circ\text{C}$

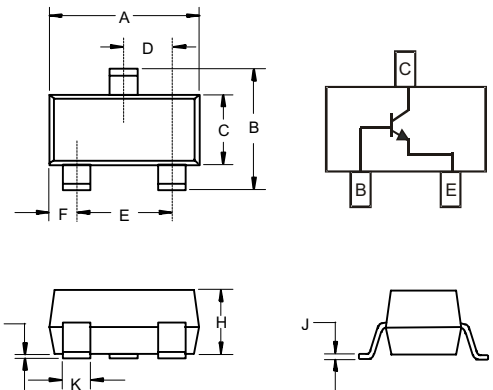
Notes:

- (1) Mounted on FR-4 printed-circuit board

BCX70G THRU BCX70K

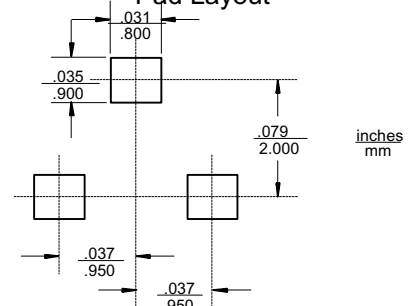
NPN Small Signal Transistor 250mW

SOT-23



DIM	DIMENSIONS				NOTE
	INCHES		MM		
A	.110	.120	2.80	3.04	
B	.083	.104	2.10	2.64	
C	.047	.055	1.20	1.40	
D	.035	.041	.89	1.03	
E	.070	.081	1.78	2.05	
F	.018	.024	.45	.60	
G	.0005	.0039	.013	.100	
H	.035	.044	.89	1.12	
J	.003	.007	.085	.180	
K	.015	.020	.37	.51	

Suggested Solder Pad Layout



BCX70 Series

Electrical Characteristics (T_J = 25°C unless otherwise noted)

Parameter	Symbol	Test Condition	Min	Typ	Max	Unit
DC Current Gain	BCX70G	V _{CE} = 5 V, I _C = 10 μA	—	—	—	
	BCX70H	V _{CE} = 5 V, I _C = 10 μA	30	—	—	
	BCX70J	V _{CE} = 5 V, I _C = 10 μA	40	—	—	
	BCX70K	V _{CE} = 5 V, I _C = 10 μA	100	—	—	
	BCX70G	V _{CE} = 5 V, I _C = 2 mA	120	—	220	
	BCX70H	V _{CE} = 5 V, I _C = 2 mA	180	—	310	
	BCX70J	V _{CE} = 5 V, I _C = 2 mA	250	—	460	
	BCX70K	V _{CE} = 5 V, I _C = 2 mA	380	—	630	
	BCX70G	V _{CE} = 1 V, I _C = 50 mA	50	—	—	
	BCX70H	V _{CE} = 1 V, I _C = 50 mA	70	—	—	
	BCX70J	V _{CE} = 1 V, I _C = 50 mA	90	—	—	
	BCX70K	V _{CE} = 1 V, I _C = 50 mA	100	—	—	
	Collector-Emitter Saturation Voltage	V _{CEsat}	I _C = 10 mA, I _B = 0.25 mA I _C = 50 mA, I _B = 1.25 mA	50 100	— —	350 550
Base-Emitter Saturation Voltage	V _{BEsat}	I _C = 10 mA, I _B = 0.25 mA I _C = 50 mA, I _B = 1.25 mA	600 700	— —	850 1050	mV
Base-Emitter Voltage	V _{BE}	V _{CE} = 5 V, I _C = 2 mA V _{CE} = 5 V, I _C = 10 μA V _{CE} = 1 V, I _C = 50 mA	550 — —	650 520 780	750 — —	mV
Collector Cut-off Current	I _{CBO}	V _{CB} = 45 V, V _{BE} = 0 V V _{CB} = 45 V, V _{BE} = 0 V T _A = 150°C	— —	— —	20 20	nA μA
Emitter Cut-off Current	I _{EBO}	V _{EB} = 4 V, I _C = 0	—	—	20	nA
Gain-Bandwidth Product	f _T	V _{CE} = 5 V, I _C = 10 mA f = 100 MHz	100	250	—	MHz
Collector-Base Capacitance	C _{CB0}	V _{CB} = 10 V, f = 1 MHz, I _E = 0	—	2.5	—	pF
Emitter-Base Capacitance	C _{EB0}	V _{EB} = 0.5 V, f = 1 MHz, I _C = 0	—	8	—	pF
Noise Figure	F	V _{CE} = 5 V, I _C = 200 μA, R _S = 2 kΩ, f = 1 kHz, B = 200 Hz	—	2	6	dB
Small Signal Current Gain	h _{fe}	V _{CE} = 5 V, I _C = 2 mA, f = 1.0 kHz	— — — —	200 260 330 520		
Turn-on Time at R _L = 990Ω (see fig. 1)	t _{on}	V _{CC} = 10 V, I _C = 10 mA, I _{B(on)} = -I _{B(off)} = 1 mA	—	85	150	ns
Turn-off Time at R _L = 990Ω (see fig. 1)	t _{off}	V _{CC} = 10 V, I _C = 10 mA, I _{B(on)} = -I _{B(off)} = 1 mA	—	480	800	ns



Micro Commercial Components

Ordering Information :

Device	Packing
Part Number-TP	Tape & Reel; 3 Kpcs/Reel

Note : Adding "-HF" suffix for halogen free, eg. Part Number-TP-HF

IMPORTANT NOTICE

Micro Commercial Components Corp. reserves the right to make changes without further notice to any product herein to make corrections, modifications, enhancements, improvements, or other changes. **Micro Commercial Components Corp.** does not assume any liability arising out of the application or use of any product described herein; neither does it convey any license under its patent rights, nor the rights of others. The user of products in such applications shall assume all risks of such use and will agree to hold **Micro Commercial Components Corp.** and all the companies whose products are represented on our website, harmless against all damages.

LIFE SUPPORT

MCC's products are not authorized for use as critical components in life support devices or systems without the express written approval of Micro Commercial Components Corporation.

CUSTOMER AWARENESS

Counterfeiting of semiconductor parts is a growing problem in the industry. Micro Commercial Components (MCC) is taking strong measures to protect ourselves and our customers from the proliferation of counterfeit parts. MCC strongly encourages customers to purchase MCC parts either directly from MCC or from Authorized MCC Distributors who are listed by country on our web page cited below. Products customers buy either from MCC directly or from Authorized MCC Distributors are genuine parts, have full traceability, meet MCC's quality standards for handling and storage. **MCC will not provide any warranty coverage or other assistance for parts bought from Unauthorized Sources.** MCC is committed to combat this global problem and encourage our customers to do their part in stopping this practice by buying direct or from authorized distributors.

www.mccsemi.com