

# SPECIFICATIONS

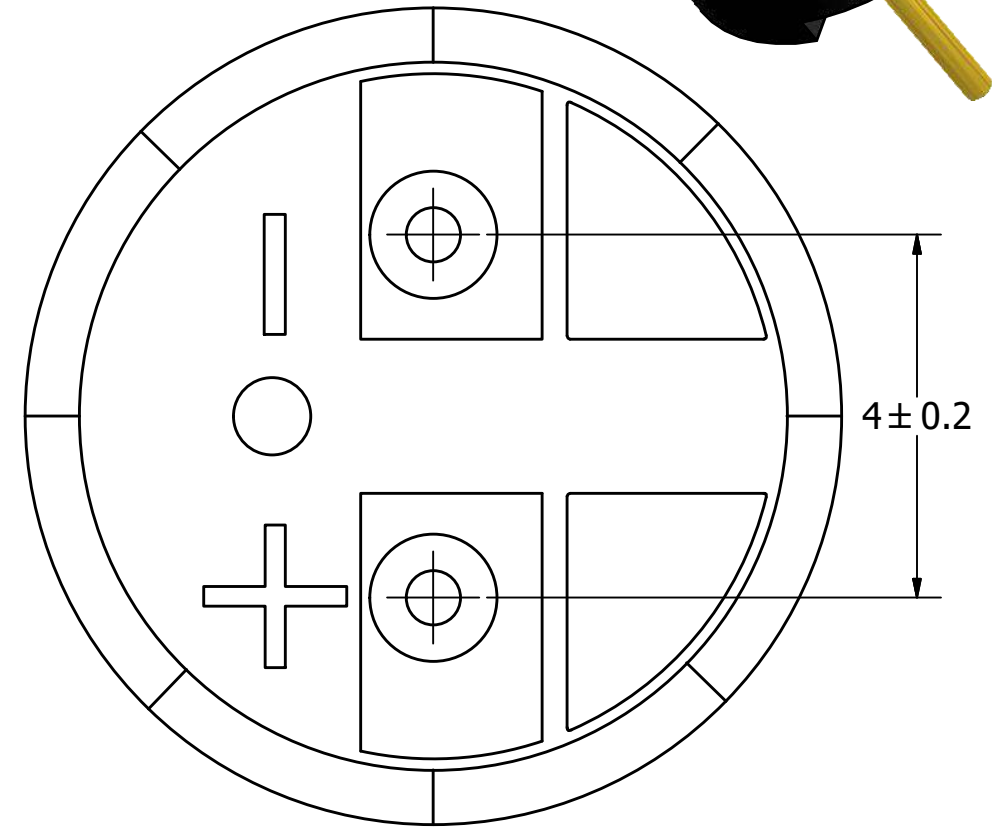
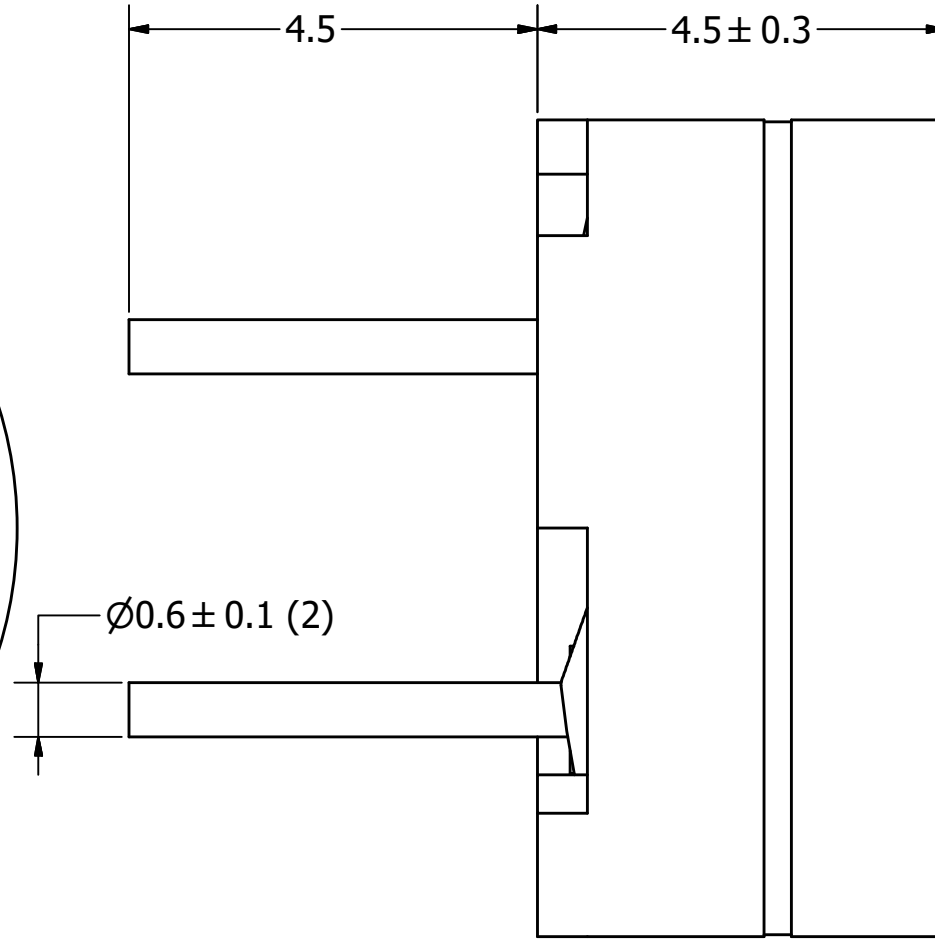
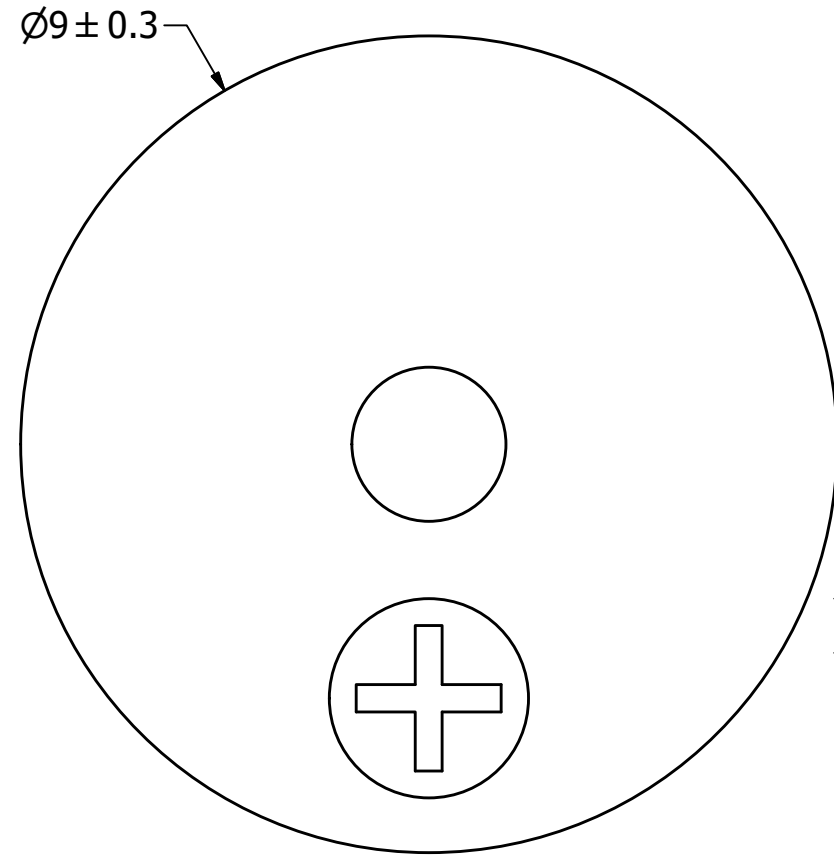
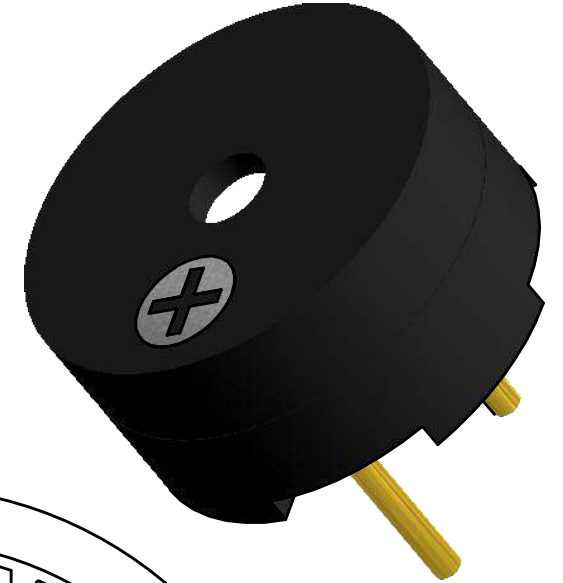
PARAMETERS	VALUES	UNIT
RATED VOLTAGE	1.5	Vpk
OPERATING VOLTAGE RANGE	1 ~ 2	Vpk
RATED CURRENT (MAX)	90	mA
COIL RESISTANCE	6 ± 1	OHM
MINIMUM SPL @ 10 CM	85	dBA
RESONANT FREQUENCY	2,730 ± 500	Hz
OPERATING TEMPERATURE	-20 ~ +70	°C
STORAGE TEMPERATURE	-30 ~ +80	°C
HOUSING MATERIAL	PBT	-
TERMINAL MATERIAL	Au PLATED BRASS	-
WEIGHT	1	grams

THIS DOCUMENT CONTAINS DATA PROPRIETARY TO PUI AUDIO, INC. ANY USE OR REPRODUCTION, IN ANY FORM, WITHOUT PRIOR WRITTEN PERMISSION OF PUI AUDIO, INC. IS PROHIBITED.

©2010, PUI AUDIO Inc.

# REVISION HISTORY

LTR	DESCRIPTION	DATE	APPROVED
-	RELEASED FROM ENGINEERING	7/15/2014	
A	REVISED HOUSING MATERIAL	2/14/2020	M.L.



## NOTES:

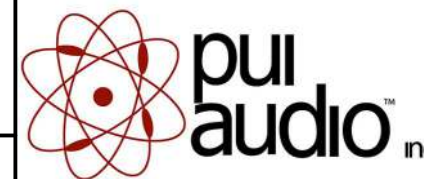
1. ALL DIMENSIONS ARE IN MILLIMETERS.
2. SPECIFICATIONS SUBJECT TO CHANGE OR WITHDRAWL WITHOUT NOTICE.
3. THIS PART IS RoHS 2015/863/EU COMPLIANT.

UNLESS OTHERWISE SPECIFIED:  
 ALL PURCHASES ARE SUBJECT TO AND INCORPORATE THE PUI AUDIO TERMS AND CONDITIONS SALE FOUND AT [http://www.puiaudio.com/pdf/terms\\_conditions.pdf](http://www.puiaudio.com/pdf/terms_conditions.pdf) (paper copy available upon request).  
 DIMENSIONS ARE IN MILLIMETERS, TOLERANCES ARE ±0.5 AND ANGLES ARE ±3°.

AT-0927-TT-5-R.idw

SIZE  
**A3**

Designed by	Date	Checked by	Date	Approved by	Date	Drawn Date
J.D.	7/15/2014	C.W.	7/15/2014	B.R.	7/15/2014	7/15/2014



**AT-0927-TT-5-R**

Transducer (Electro-Mech)	Edition	Sheet
	-	1 / 1