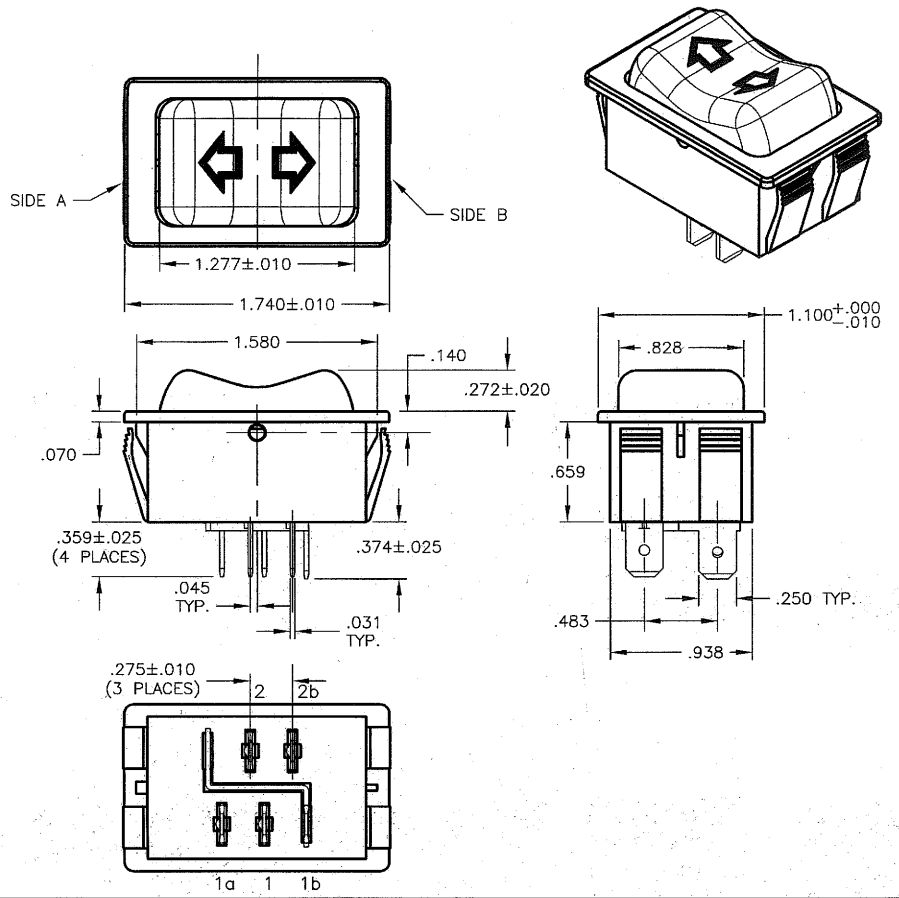


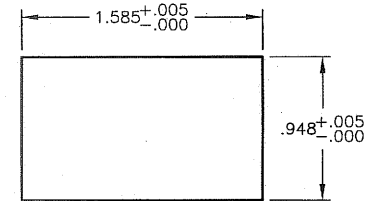
DIMENSIONS IN INCHES (MILLIMETERS)  
DO NOT SCALE DRAWING .....

Dwg. No.  
**GRS-6024C-0004**



ACTUATOR POSITION	CIRCUITS			
	1a-1	1-1b	1b-2	2-2b
CENTERED	CLOSED	OPEN	OPEN	CLOSED
DEPRESSED ON SIDE A	OPEN	CLOSED	OPEN	CLOSED
DEPRESSED ON SIDE B	CLOSED	OPEN	CLOSED	OPEN

Reversing Motor Circuit:  
 Terminals 1a & 2b ground  
 Terminal 1b power  
 Terminals 1 & 2 motor leads



**PANEL OPENING**

PANEL THICKNESS: .090

E  
D  
C  
B  
A

1 2 3 4 5 6 7 8 9 10

FORM-B3  
**REVISIONS**  
 RELEASED  
 DGW 11-30-2011  
 NOV 30 2011

ATTENTION

THIS DRAWING AND ITS ATTACHMENTS, IF ANY, ARE PROPRIETARY TO CW INDUSTRIES AND DESCRIBE DESIGNS THAT ARE CONFIDENTIAL AND MUST NOT BE DISCLOSED UNLESS AUTHORIZED, IN WRITING, BY AN OFFICER OF CW INDUSTRIES.....

**CW INDUSTRIES**  
 Southampton, Pa. 18966

**TOLERANCES UNLESS OTHERWISE SPECIFIED**

2 Place Decimal ±.010	METRIC
3 Place Decimal ±.005	1 Place Dec. ±.25mm
Angles ..... ±1°	2 Place Dec. ±.13mm

Made for: CW IND.  
 Drawn by: DGW 11-30-2011  
 Checked by: G. Gold 11-30-11  
 Approval: G. Gold 11-30-11

Title:  
**REVERSING SWITCH**

Division:  
**SWITCH**

Dwg. No.  
**GRS-6024C-0004**

**MASTER**