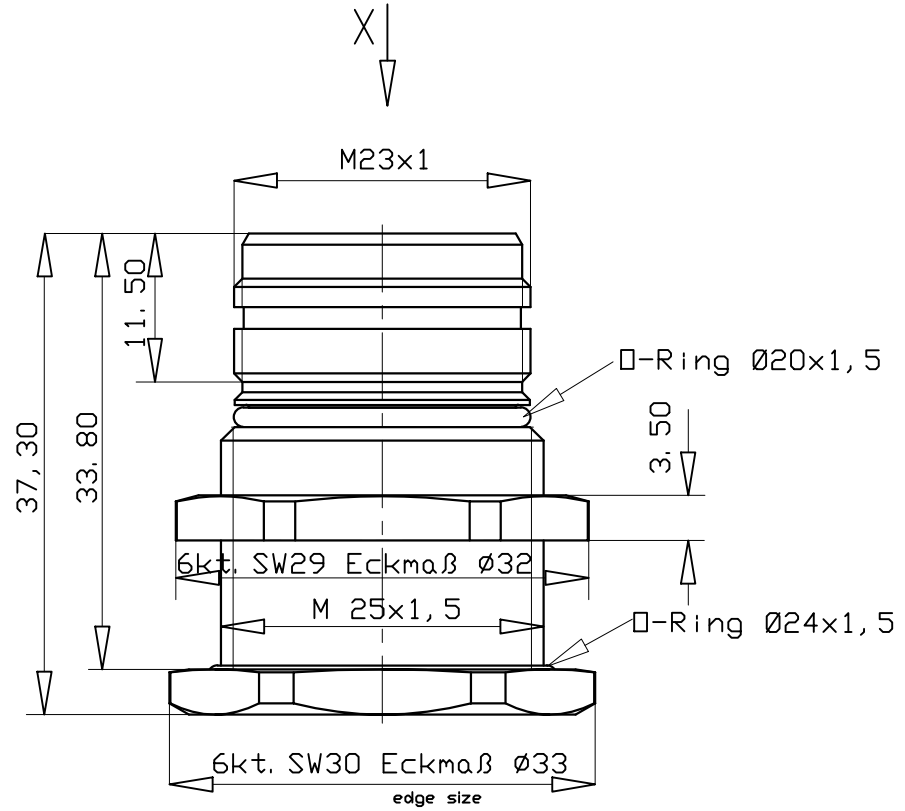
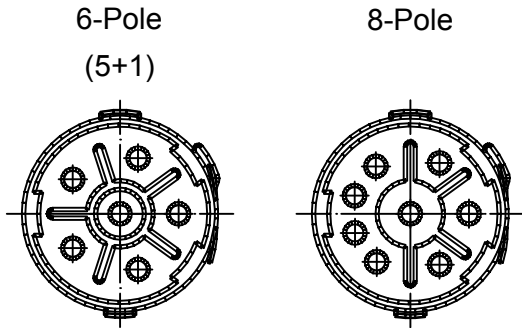


Views from "X" rotated



	Cable Diameter	Crimp Contacts	Without Contacts
6 Pole (5+PE)		KRP6P46-100 1202340021	KRP6P46-000 1202340022
	Crimp range*	0,75-2,5mm ²	
8 Pole (4+3+PE)		KRP8P46-110 1202340023	KRP8P46-000 1202340024
	Crimp range*	0,25-1,0mm ² /0,75-2,5mm ²	

*Crimp range only applies to "Crimp Contacts" version

Notes:

Tolerances (unless specified): DIN ISO 2768 m

DESCRIPTION EC NO: IPG2015-0907 DRWN: BBRÄUCH 2014/11/19 CHKD: ZISMAYIL 2014/11/19 APPR: CBURGER	QUALITY SYMBOLS	GENERAL TOLERANCES (UNLESS SPECIFIED)	DIMENSION STYLE	SCALE	DESIGN UNITS	THIRD ANGLE PROJECTION
	▽ = 0 ▽ = 0	mm INCH	MM	---	METRIC	
REV 2	DESCRIPTION	4 PLACES ± --- ± ---	DRAWN BY	DATE	REC M23 XP MA STR BM M25X1.5	
		3 PLACES ± --- ± ---	BB	2008/11/21		
		2 PLACES ± 0.05 ± ---	CHECKED BY	DATE	molex	
		1 PLACE ± 0.1 ± ---	JKO	2008/12/09		
		0 PLACE ± --- ± ---	APPROVED BY	DATE	SD-120234-006	
		ANGULAR ± --- °	---	---		
		DRAFT WHERE APPLICABLE MUST REMAIN WITHIN DIMENSIONS	MATERIAL NO.	DOCUMENT NO.	SHEET NO. 1 OF 1	
			SIZE A3	THIS DRAWING CONTAINS INFORMATION THAT IS PROPRIETARY TO MOLEX INCORPORATED AND SHOULD NOT BE USED WITHOUT WRITTEN PERMISSION		