

MICRO SWITCH

FREERPORT ILLINOIS, U.S.A
A DIVISION OF HONEYWELL
FED. MFG. CODE 91829

SWITCH - BASIC

CATALOG LISTING

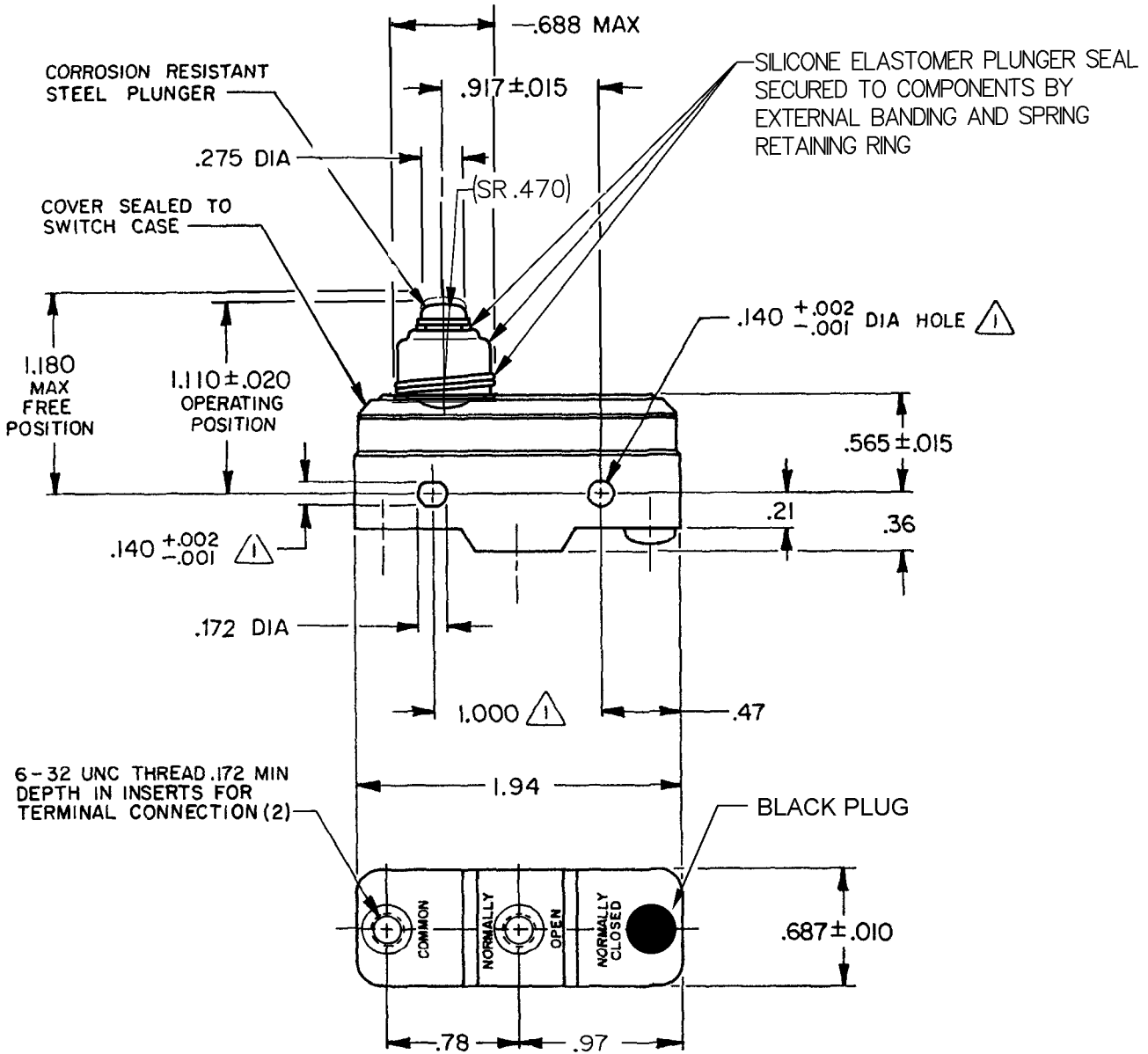
YZ-2RDS5551-A22

AWP2740

CATALOG LISTING
YZ-2RDS5551-A22
PAGE 1 OF 1
REPLACES
RELEASE NO. PR-14519
DRAWING NUMBER
9
ISSUE

REVISIONS

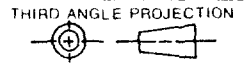
A	C067209	J A P	3 MAY 90
B	C071458	J A L	21 NOV 91
C	CO-77588	K D R	29 MAR 94
D	CO-78275	SAD	22 JUL 94
E	C083108	G J W	13 JUN 96
F	C093346	DLT	22 SEP 98
G	0000763	CSL	2 JUL 03
H	0017586	TSG	09 JAN 06



6-32 UNC THREAD .172 MIN DEPTH IN INSERTS FOR TERMINAL CONNECTION (2)

NOTES
 1 MOUNTING HOLES WILL ACCEPT PINS OR SCREWS OF .139 MAX DIA ON 1.000 ± .002 CENTERS
 2 - SEALED CONSTRUCTION PROVIDES SPLASH RESISTANCE

THIS DRAWING COVERS A PROPRIETARY ITEM AND IS THE PROPERTY OF MICRO SWITCH, A DIVISION OF HONEYWELL. THIS DRAWING IS NOT TO BE COPIED OR USED WITHOUT THE APPROVAL OF MICRO SWITCH.



CHARACTERISTICS	
OPERATING FORCE	-----13-19 OZ
RELEASE FORCE	-----4 OZ MIN
DIFFERENTIAL TRAVEL	----.0004-.0025
OVERTRAVEL	-----.060 MIN

ELECTRICAL DATA	
CONTACT ARRANGEMENT S P N O	
L96 15A 125, <u>250</u> OR 480 VAC 1/8 HP 125 VAC, 1/4 HP 250 VAC 1/2A 125 VDC, 1/4A 250 VDC	
L288 L306 L315	CE 05
16A 250V ~ T85 5E4	

SCALE FULL			
DO NOT SCALE PRINT			
TOLERANCES APPLY TO DESIGN UNITS. CONVERSIONS ARE ONLY FOR REFERENCE. UNLESS NOTED, TOLERANCES ARE ±			
DIM. mm	TOL. mm/in	DIM. in	TOL. mm/in
NO PLACES ONE PLACE TWO PLACES THREE PLACES ANGLES	X X.X X.XX X.XXX	0.1/018 0.15/006	X.X X.XX X.XXX 0.8/03 0.38/015 0.13/005
DESIGN UNITS		US CUSTOMARY	
<input type="checkbox"/> METRIC		<input checked="" type="checkbox"/> US CUSTOMARY	
WEIGHT .085 LB			

RASTER
DRAWN
J A S 17 FEB 86
CHECK K A G 18 FEB 86
CHECK K A G 18 FEB 86