

1

2

3

4

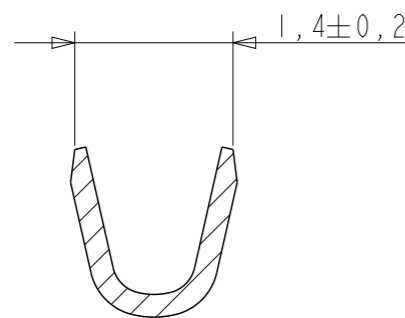
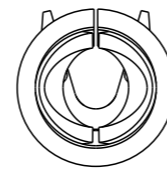
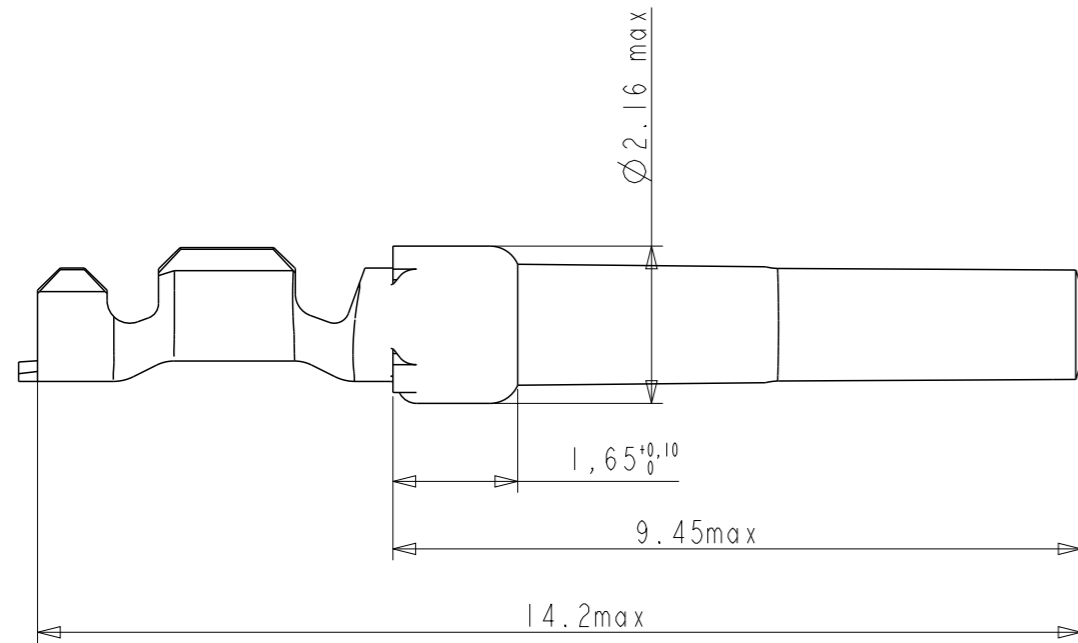
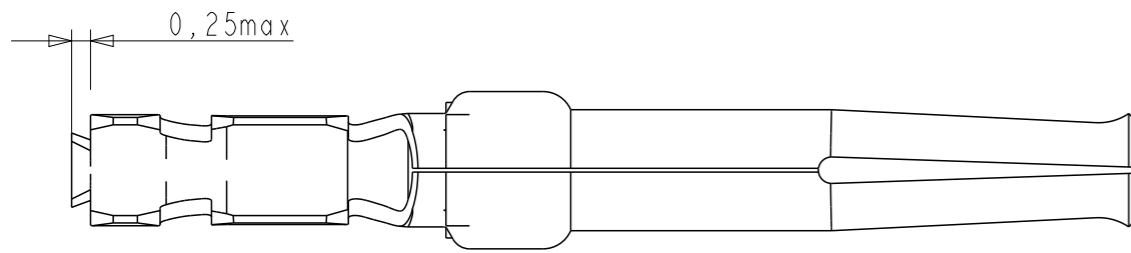
NOTES:

- 1-Material:phosphor bronze,thickness 0.20
- 2-Finish on contact area:see table
finish on termination:bright tin lead over nickel
- 3-Wire range:24 to 28 AWG
- 4-Max outer dia of wire insulator:1.02 mm
- 5-Current carrying capacity per contact:
 - 3.Amps max when crimped to #24 AWG
 - 2 Amps max when crimped to #26 AWG
 - 1 Amps max when crimped to #28 AWG
- 6-After 5 insertions into connector, contact retention must be 5 pounds axial load min
- 7-When contact is crimped to 24 AWG,the insulation support crimped height must be 1.78 mm max to ensure a proper insertion into housing
- 6-Packaging:BOX of 500 contacts

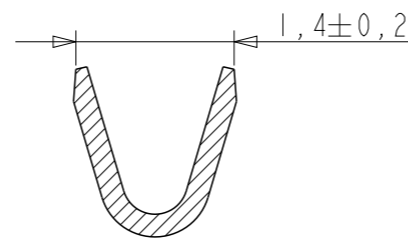
NOTE : ROHS INFORMATIONS

The LF products meet European union directives and other country regulations as described in GS-22-008
 Terminations plating spec : 2um Nickel min + 2um Sn min
 Packaging Spec : see GS-14-920

CORE RANGE	
8656351067LF	0.4μ Au / GXT
8656351067	0.4μ Au / GXT
8656351065LF	0.76μ Au / GXT
8656351065	0.76μ Au / GXT
8656351066LF	1.25μ Au / GXT
8656351066	1.25μ Au / GXT
PART NUMBER	Plating



SECTION A-A
SCALE 15/1



SECTION B-B
SCALE 15/1

www.fciconnect.com		surface - ✓ ISO 1302	tolerance std ISO 406 ISO 1101	projection mm
TOLERANCES UNLESS OTHERWISE SPECIFIED				
Dr	C JARRY	28/01/97	ANGULAR	size A3
Eng			LINEAR	Scale 10/1
Chr			0° ±2°	ECN 111-0003
Appr			Product family	8656 Spec ref
FCi		CRIMP CONTACTS		Rev. G
catalog no		CUSTOMER		sheet 1 of 1

rev	ecn no	dr	date
B	LS05-006	MPE	25-06-05
C	LS06-0196	MPE	27/11/2006
D	LS08-0127	MPE	2008/05/13
E	109-0152	AMR	2009-07-27
F	110-0070	AMR	2010-03-09
G	111-0003	AMR	2011-01-06
-	-	-	-



Copyright FCI.