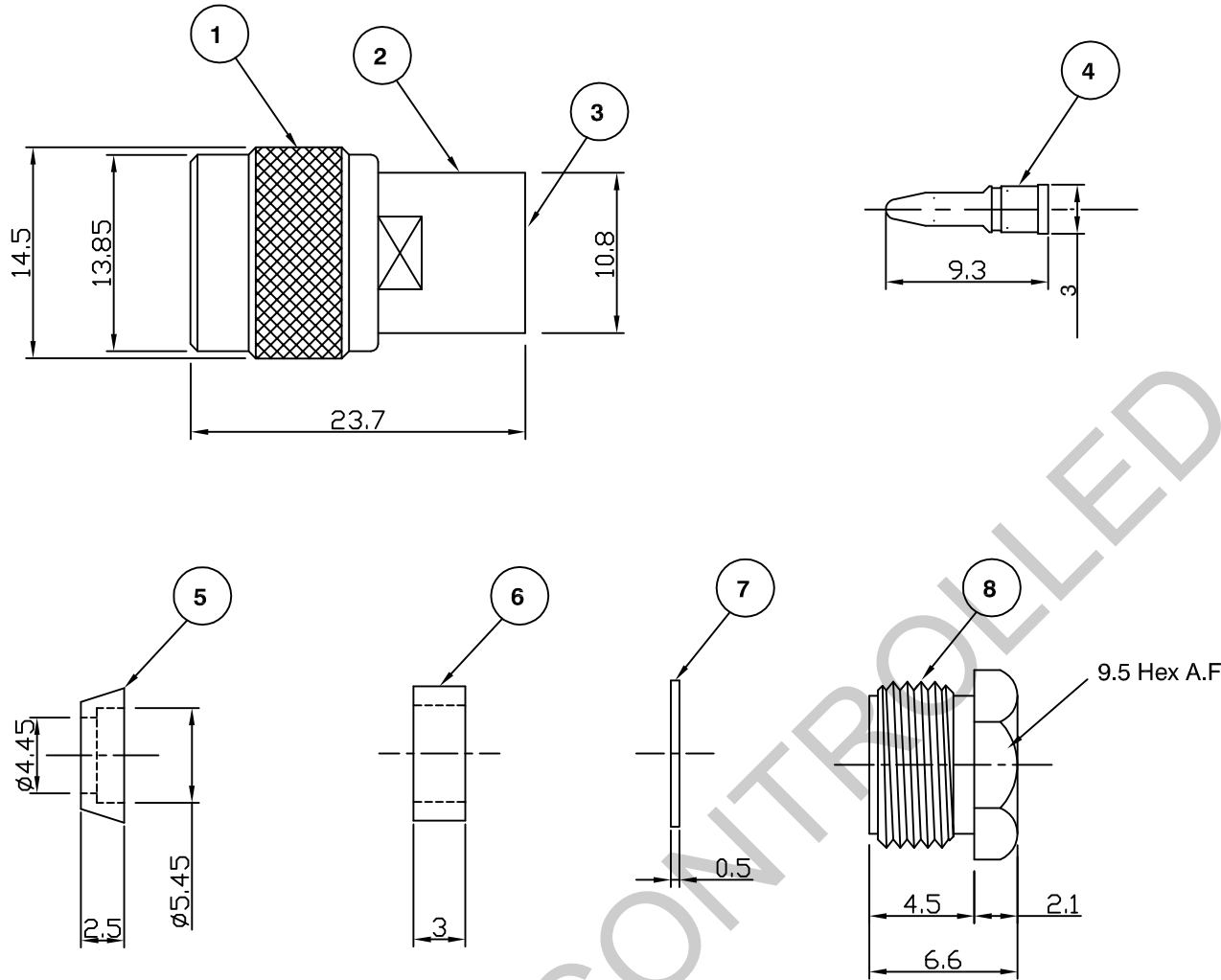


RoHS COMPLIANT



Electrical Characteristics

Nominal Impedance:	50 ohms
Frequency Range:	DC to 11 GHz
VSWR:	1.35:1 maximum
Insertion Loss:	0.20 dB MAX
Operating Voltage (rms):	500 V maximum at sea level
Dielectric Withstand Voltage (rms):	1500 V maximum at sea level
Contact Resistance:	1.5 milliohms maximum
Insulation Resistance:	5000 megohms minimum

Mechanical Characteristics

Mating Cycles:	500 cycles minimum
Interface Dimensions:	Conform to MIL-C-39012

Environmental Characteristics

Temperature Range:	-55 °C to +85 °C
--------------------	------------------

PART	DESCRIPTION
1	Shell Zinc, nickel plated
2	Body Brass, nickel plated
3	Dielectric POM
4	Contact Brass, gold plated
5	Taper Clamp Brass, nickel plated
6	Gasket Rubber
7	Washer Iron, nickel plated
8	Clamp Nut Brass, nickel plated

Supplier Change	KA	3	03 Aug 07
CAD Issue	SN	2	21 Oct 02
First Issue	AT	1	23 Nov 99
DESCRIPTION OF REVISION	APPVD	ISS	DATE

For stripping and assembly instructions see Drawing Number: VAIT1204



Cinch Connectivity Solutions
7-13 Russel Way,
Widford Industrial Estate,
Chelmsford,
Essex, CM1 3AA, UK
Tel: +44 (0) 1245 359515
Fax: +44 (0) 1245 358938

SCALE: Not To Scale	DRAWN BY:	S Nash
DIMENSIONS: mm	CHECKED BY:	P Couzens
TOLERANCES: ± 0.2mm unless otherwise stated	APPROVED BY:	P Couzens
	DATE:	21 Oct 02

TITLE:
TNC Clamp Plug For RG58

PART NUMBER:
VTS10-2051
PAGE: 1 of 1