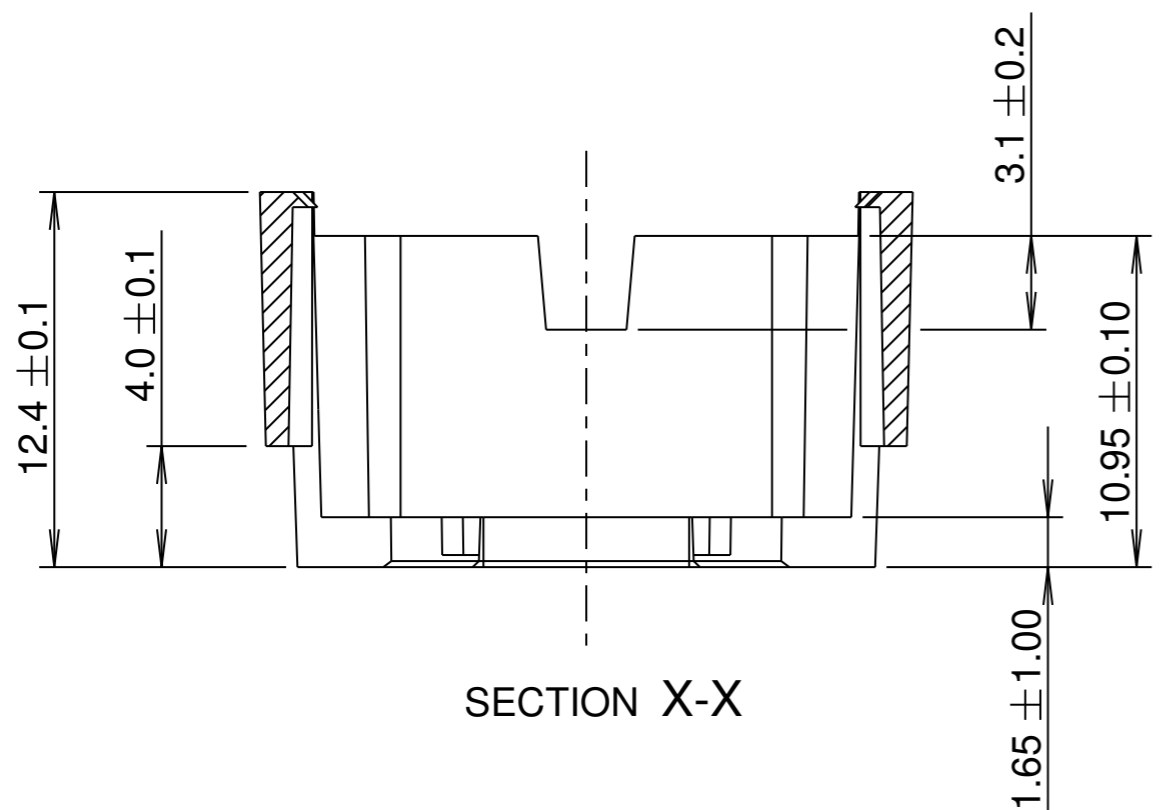
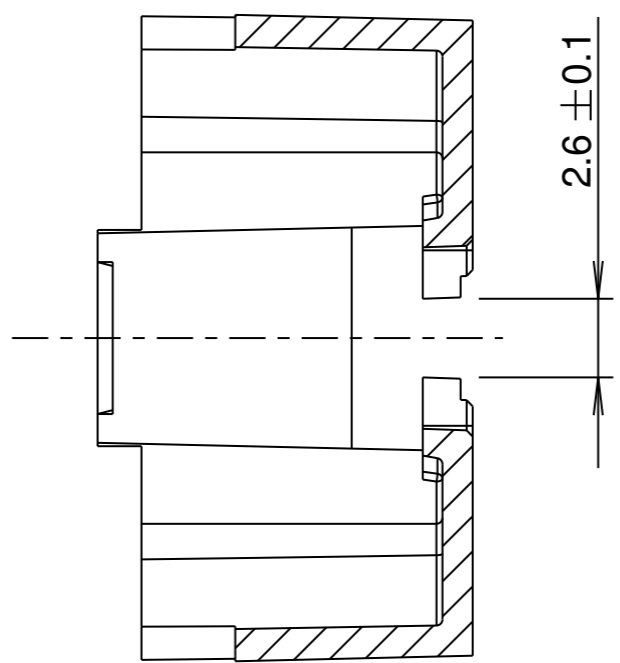
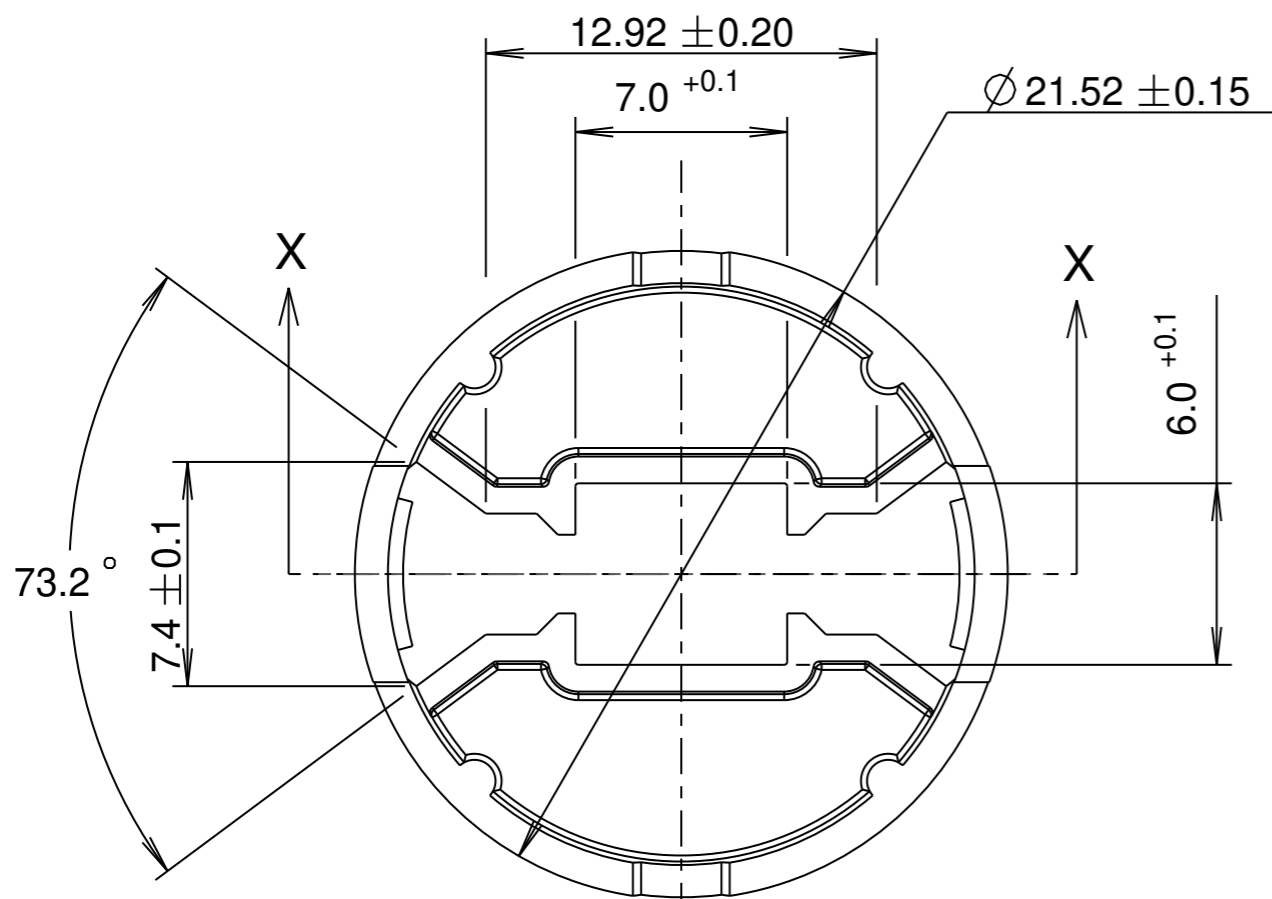
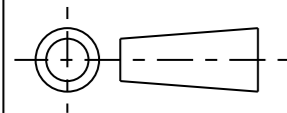


# CUSTOMER DRAWING

©2007 CARCLO  
ALL DIMENSIONS IN mm



SECTION Y-Y

SECTION X-X

- NOTES:  
1. MATERIAL: SEE TABLE  
2. GENERAL WALL THICKNESS 1mm

PART No.	DESCRIPTION
10148	BLACK POLYCARBONATE
10149	CLEAR POLYCARBONATE
10150	WHITE POLYCARBONATE

ISS.	DATE	E.C.N.	DESCRIPTION
5	17-Jan-07		LED APERTURE CORNER RADII REDUCED
6	24-Jan-08	01/08/1215	APERTURE RESTRICTION TO IMPROVE LOCATION



CARCLO TECHNICAL PLASTICS (SLOUGH)  
111 BUCKINGHAM AVE, SLOUGH  
SL1 4PF, ENGLAND  
TEL: +44 1753 575011 FAX: +44 1753 811359  
email: design@carclo-optics.com

GENERAL TOLERANCES (UNLESS STATED)

LINEAR	ANGULAR
X +/- 0.25	X +/- 1°
X.X +/- 0.1	X.X +/- 0.5°
X.XX +/- 0.05	X.XX +/- 0.1°

CUSTOMER  
OSRAM GOLDEN DRAGON LED

TITLE  
HOLDER FOR 20mm OPTIC & OSRAM DRAGON LED

DRAWN **RJL** DATE 17-Jan-06

CHK'D DATE

APP'D DATE

SCALE 4:1 CARCLO PART No. SEE TABLE

SIZE A3 CARCLO DRG. No. 60419 SHEET 1 OF 1