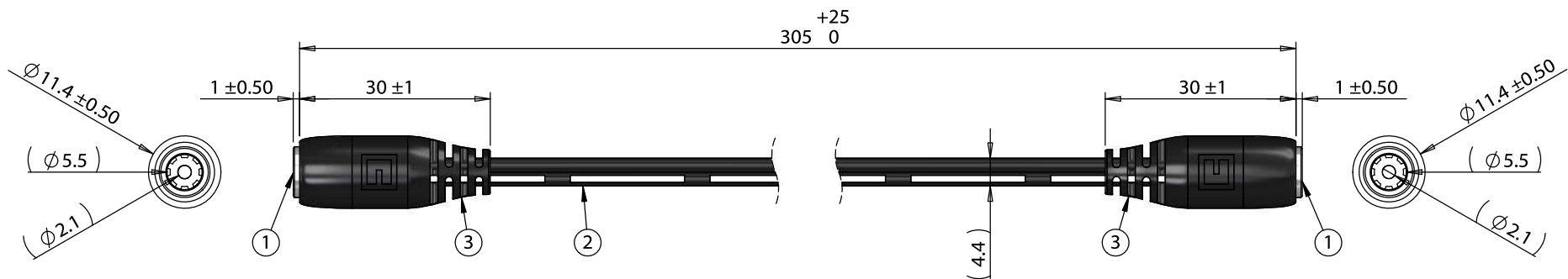


ITEM NO.	PART NUMBER	DESCRIPTION	QTY.	COMPONENT NOTES
1	50-00025	Connector, dc jack, 5.5x2.1xL17.4 mm, molding style	2	
2	30-00395	Wire, 2C TS, 18 AWG, UL2468, 300V, 80C, 4.4 mm, VW-1, PVC, 87A	1	
3	24-00004	Overmold, PVC	2	black



Notes:
Functionally equivalent components may be substituted

Wiring Diagram		
50-00025	wire color	50-00025
center	black with stripe	center
sleeve	black	sleeve

Revision: A	Date: 01/18/2018	Description: Initial release	Prepared: GL <small>Digitally signed by GL Date: 2018.01.18 14:37:42 -08'00'</small>	Notes: RoHS compliant Function test: no open, no short circuit, no intermittent	<h1>TENSILITY</h1> <p>tel 1.541.323.3228 800 877.670.7118 fax 1.541.323.4202 web tensility.com</p>
			Verified: AW <small>Digitally signed by AW Date: 2018.02.14 09:14:50 -08'00'</small>		
			Dimensions are in millimeters. Tolerances: X: ± 0.5 mm X.X: ± 0.3 mm X.XX: ± 0.05 mm	Description: Cable, 305 mm, 5.5x2.1 mm 50-00025 dc jack to same, 18 AWG, UL2468, 30-00395 wire	Size: A Part number: 10-02552
					Scale: 1:1
					Sheet 1 of 1

5

4

3

2

1