

NOTES:

1. MATERIALS AND FINISH:

BODY - BERYLLIUM COPPER, GOLD PLATING
 CONTACT - BERYLLIUM COPPER, GOLD PLATING
 INSULATOR - PTFE

2. ELECTRICAL:

- A. IMPEDANCE: 50 OHM
- B. FREQUENCY RANGE: DC-18 GHz
- C. VSWR: 1.25 MAX. @ DC - 18GHz
- D. DIELECTRIC WITHSTANDING VOLTAGE: 500 VRMS. MIN.

3. MECHANICAL:

- A. DURABILITY:
 SMA SIDE: 500 CYCLES MIN.
 SMP SIDE: 100 CYCLES MIN.
- B. TEMPERATURE RANGE: -65°C TO +165°C

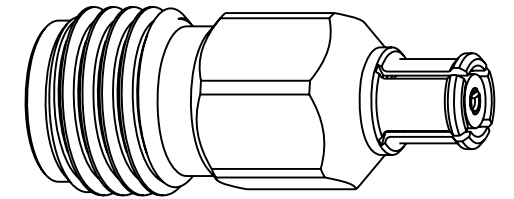
3. PACKAGING:

- A. PACKAGE CONNECTOR AS PER ROUTING INSTRUCTIONS.

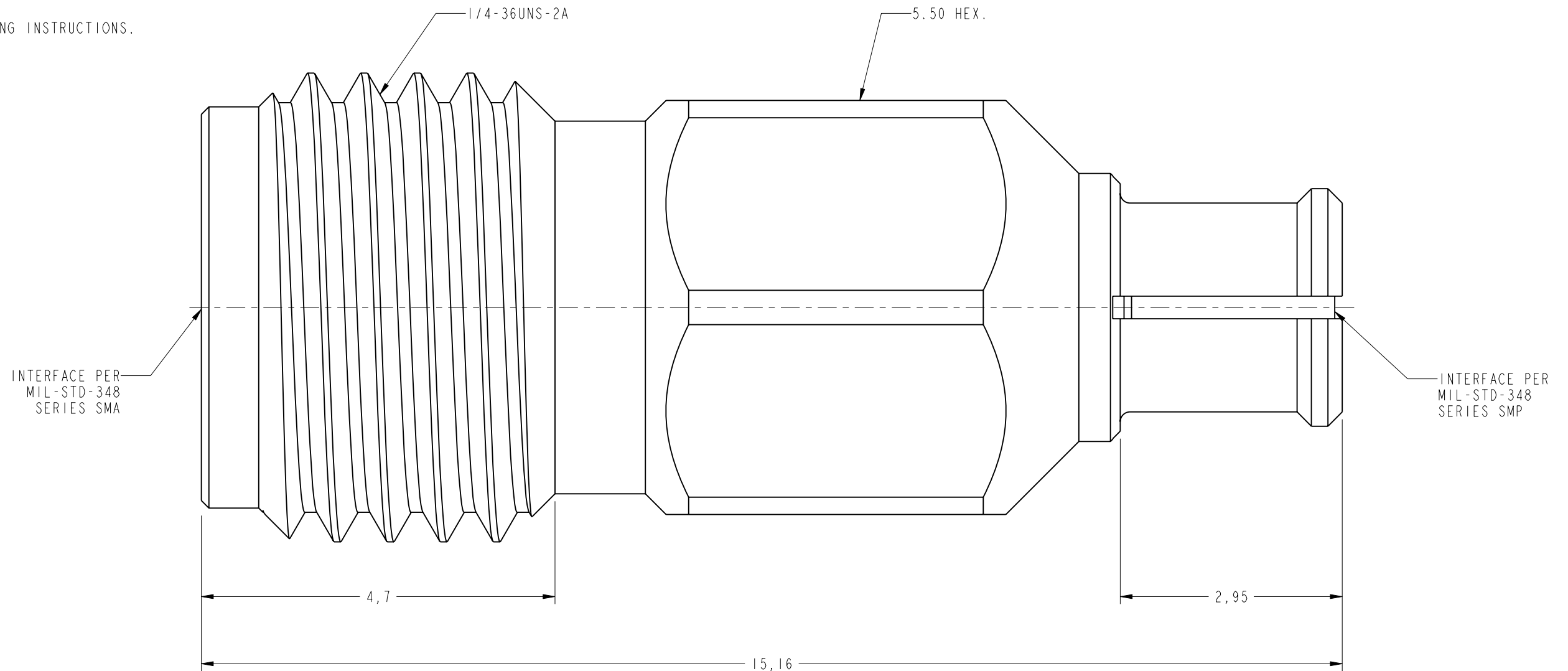
THIRD ANGLE PROJ.

REVISIONS

REV	DESCRIPTION	DATE	ECO	APPR
A	RELEASE TO MFG.	06-Nov-15	50844	MD



SCALE 4.000



CUSTOMER OUTLINE DRAWING

ALL OTHER SHEETS ARE FOR INTERNAL USE ONLY

UNLESS OTHERWISE SPECIFIED, DIMENSIONS ARE IN METRIC AND TOLERANCES ARE:
 <0.5mm ±0.05mm 0.5 - 6mm ±0.1mm 6 - 30mm ±0.2mm 30 - 120mm ±0.3mm ANGLES ±1°

NOTICE - These drawings, specifications, or other data (1) are, and remain the property of Amphenol corp. (2) must be returned upon request; and (3) are confidential and not to be disclosed to any person other than those to whom they are given by Amphenol Corp. the furnishing of these drawings, specifications, or other data by Amphenol Corp., or to any other person to anyone for any purpose is not to be regarded by implication or otherwise in any manner licensing, granting rights to permitting such holder or any other person to manufacture, use or sell any product, process or design, patented or otherwise, that may in any way be related to or disclosed by said drawings, specifications, or other data.

MATERIAL	DRAWN M. DONG	DATE 28-Oct-15	TITLE SMA JACK TO SMP PLUG ADAPTER		Amphenol RF www.amphenolrf.com	
REFERENCE EAR#6558 AND AD-SMAJSMPP-1	ENGINEER H. HE	DATE 06-Nov-15				
CONFIGURATION LEVEL: In Work	APPROVED S. HSIEH	DATE 17-Nov-15	SCALE: 16.0:1.0	SHEET 2 OF 2	DRAWING NO. SMAF-SMPF2-3GT5GP-50	
FINISH	CAD FILE		DWG SIZE B	REV A	ITEM NO. IIF-37F2-FR-50	
					PART NO. AD-SMAJSMPP-1	