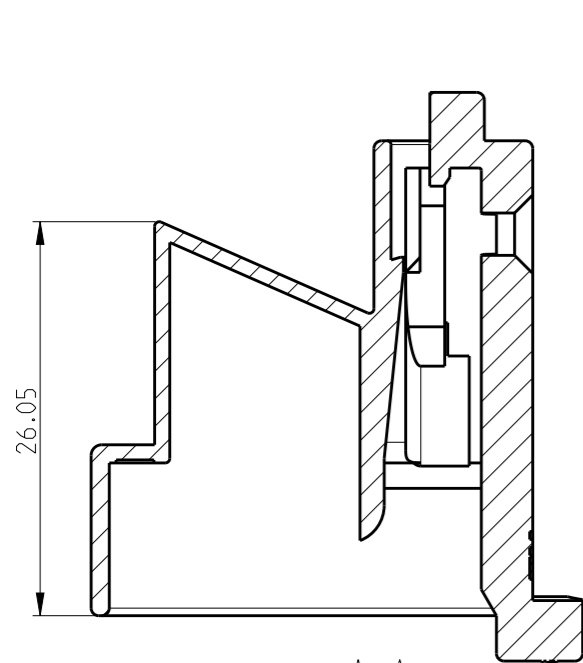
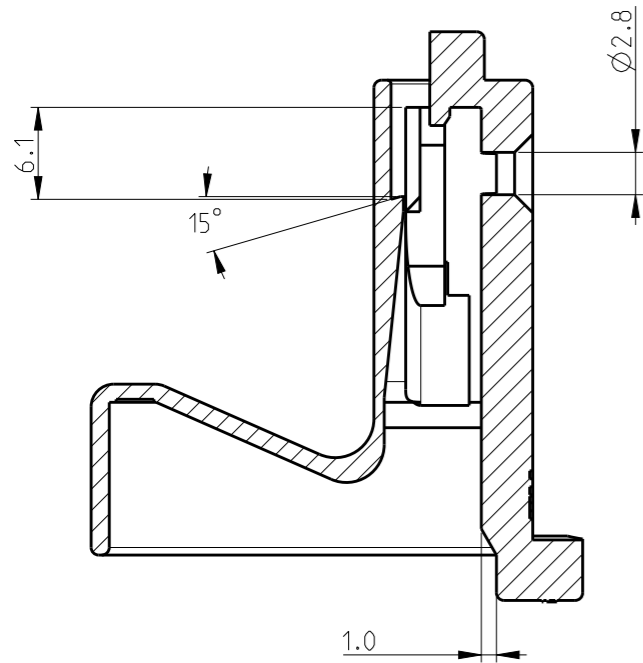


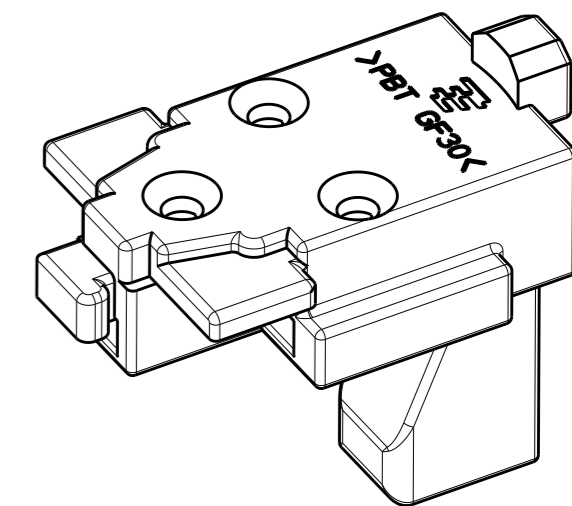
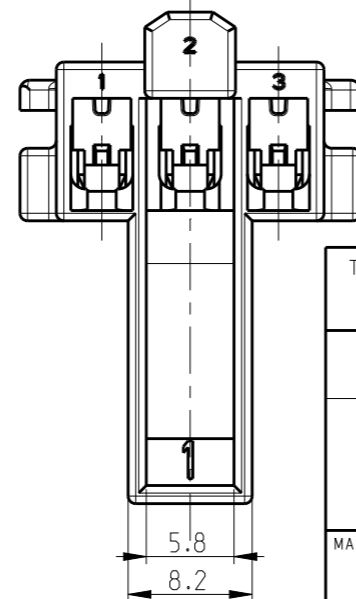
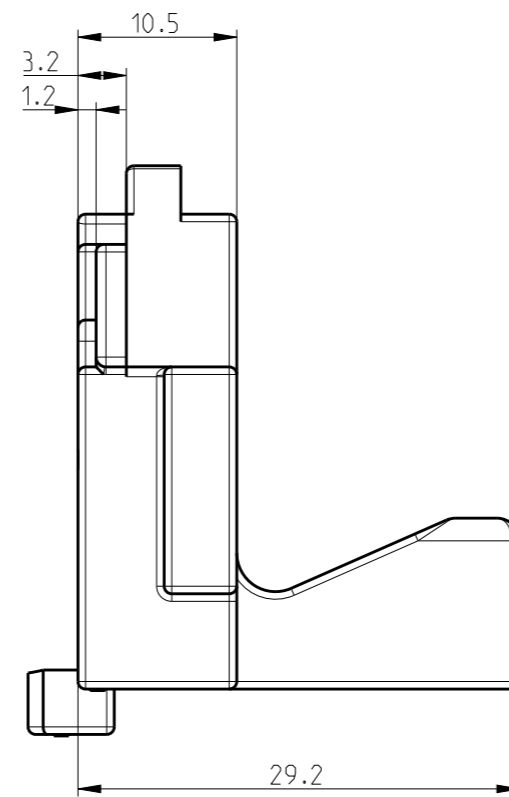
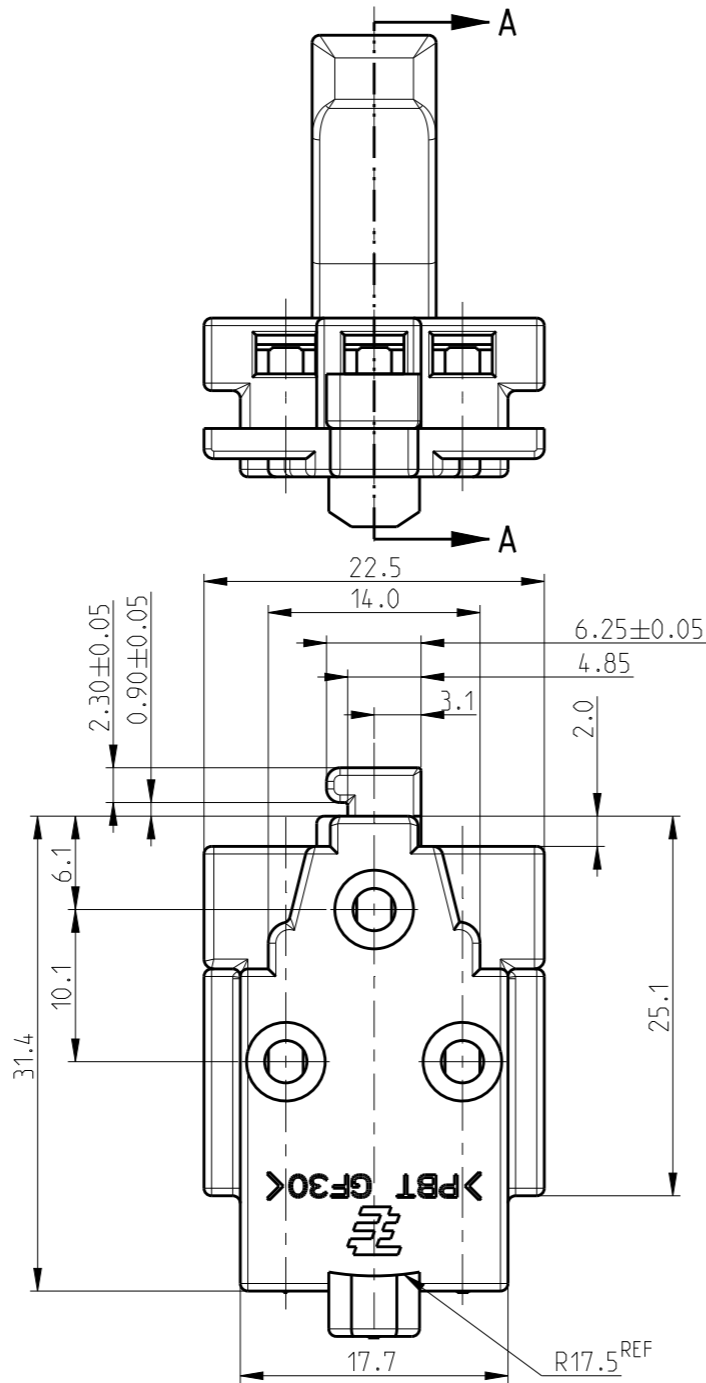
P	LTR	DESCRIPTION	DATE	DWN	APVD
	F2	NEW PN 3-2005820-9 RELEASE	03MAR2020	SE	PKS



SECTION A-A  
1-2005820-1 ONLY



SECTION A-A



NOTES:  
1. GENERAL TOLERANCE:  $\pm 0.2$ ,  $\pm 2^\circ$

② MATERIAL: PBT GF30, UL94V-0

③ MATERIAL: PBT GF30, UL94V-0, GW T

COLOR	MATERIAL	DESCRIPTION	P/N
BLACK	③	CLUSTER BLOCK 3P HSG WITH TPA (GW T)	3-2005820-9
		CLUSTER BLOCK 3P CLIP HSG WITH TPA (GW T)	2-2005820-9
GRAY	②	CLUSTER BLOCK 3P CLIP HSG	1-2005820-1 2005820-1

THIS DRAWING IS A CONTROLLED DOCUMENT.

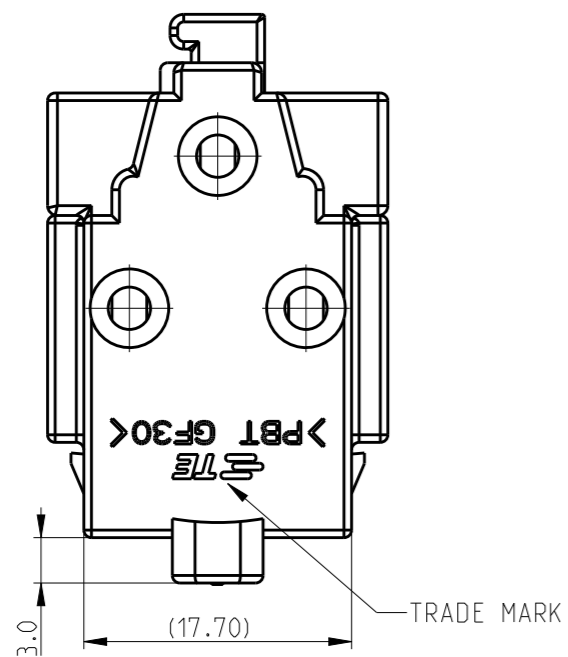
DIMENSIONS: mm	TOLERANCES UNLESS OTHERWISE SPECIFIED:
	0 PLC $\pm$
	1 PLC $\pm$
	2 PLC $\pm$
	3 PLC $\pm$
	4 PLC $\pm$
	ANGLES $\pm$
MATERIAL SEE NOTE	FINISH

DWN SE JUNG	NAME
CHK BH CHO	CLUSTER BLOCK 3P CLIP HSG
APVD BW KANG	SIZE A3
PRODUCT SPEC 108-61156	CAGE CODE 00779
APPLICATION SPEC 114-5235	DRAWING NO C-2005820
WEIGHT	RESTRICTED TO
CUSTOMER DRAWING	SCALE 1:1

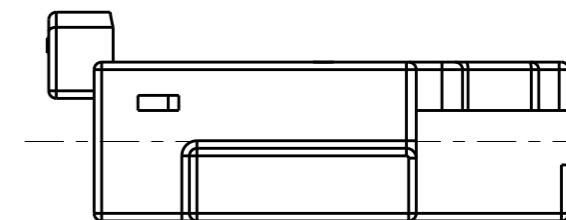
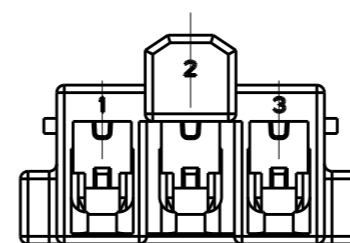
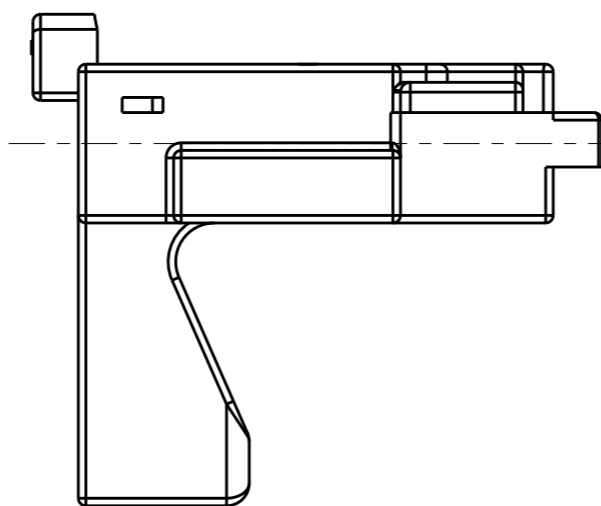
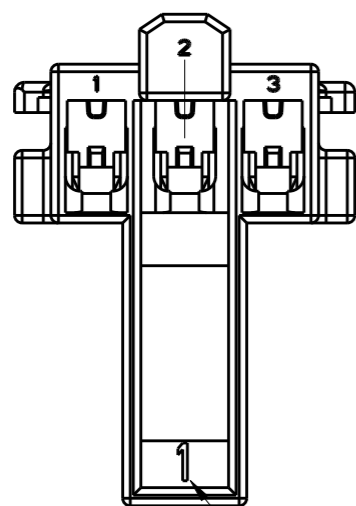
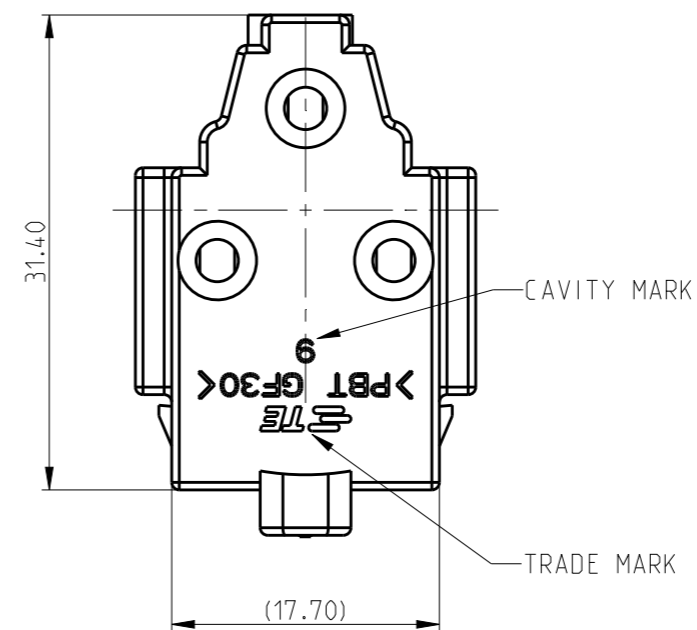
<b>TE</b> TE Connectivity	
CLUSTER BLOCK 3P CLIP HSG	
SIZE A3	CAGE CODE 00779
DRAWING NO C-2005820	RESTRICTED TO
SCALE 1:1	SHEET 1 OF 3
REV F2	

P	LTR	DESCRIPTION	DATE	DWN	APVD
-		SEE SHEET 1	-	-	-

2-2005820-9 ONLY



3-2005820-9 ONLY



THIS DRAWING IS A CONTROLLED DOCUMENT.

DIMENSIONS: mm	
MATERIAL SEE NOTE	

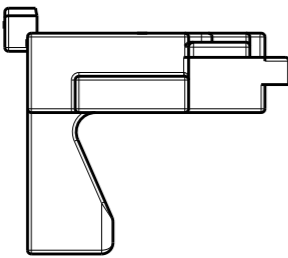
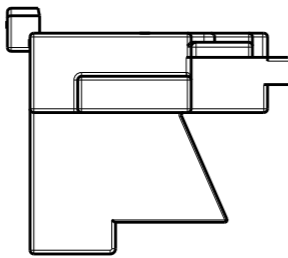
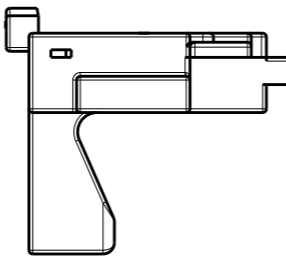
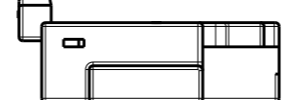
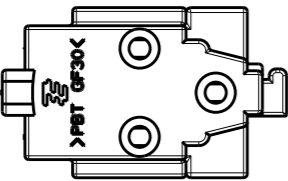
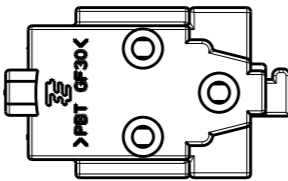
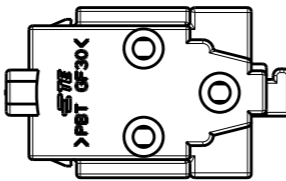
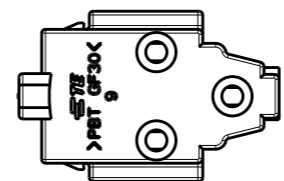
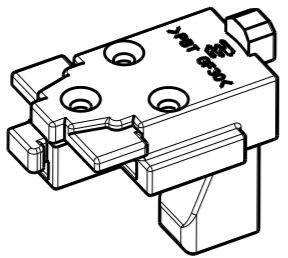
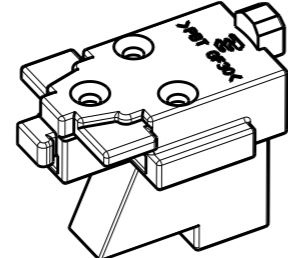
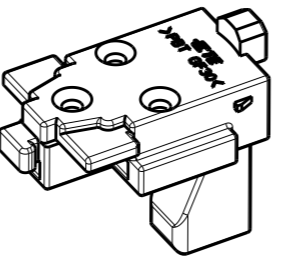
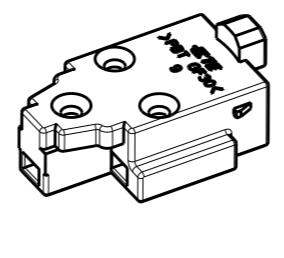
TOLERANCES UNLESS OTHERWISE SPECIFIED:	
0 PLC	±
1 PLC	±
2 PLC	±
3 PLC	±
4 PLC	±
ANGLES	±
FINISH	


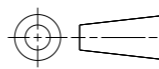
DWN SE JUNG
CHK BH CHO
APVD BW KANG
PRODUCT SPEC 108-61156
APPLICATION SPEC 114-5235
WEIGHT
CUSTOMER DRAWING

<b>TE</b> TE Connectivity			
NAME CLUSTER BLOCK 3P CLIP HSG			
SIZE A3	CAGE CODE 00779	DRAWING NO C-2005820	RESTRICTED TO
SCALE 1:1		SHEET 2 OF 3	REV F2

P	LTR	DESCRIPTION	DATE	DWN	APVD
	-	SEE SHEET 1	-	-	-

# CODING TABLE

NAME P/N	STANDARD TYPE 2005820-1	BOSS TYPE 1-2005820-1	TPA TYPE 2-2005820-9	NO GRIP TYPE 3-2005820-9
VIEW				
				
				

THIS DRAWING IS A CONTROLLED DOCUMENT.		DWN SE JUNG	 TE Connectivity		
DIMENSIONS: mm		CHK BH CHO			
		APVD BW KANG	NAME CLUSTER BLOCK 3P CLIP HSG		
		PRODUCT SPEC 108-61156	SIZE A3	CAGE CODE 00779	DRAWING NO C=2005820
MATERIAL SEE NOTE		FINISH	APPLICATION SPEC 114-5235	SCALE 2:1	SHEET 3 OF 3
		WEIGHT	CUSTOMER DRAWING	REV F2	