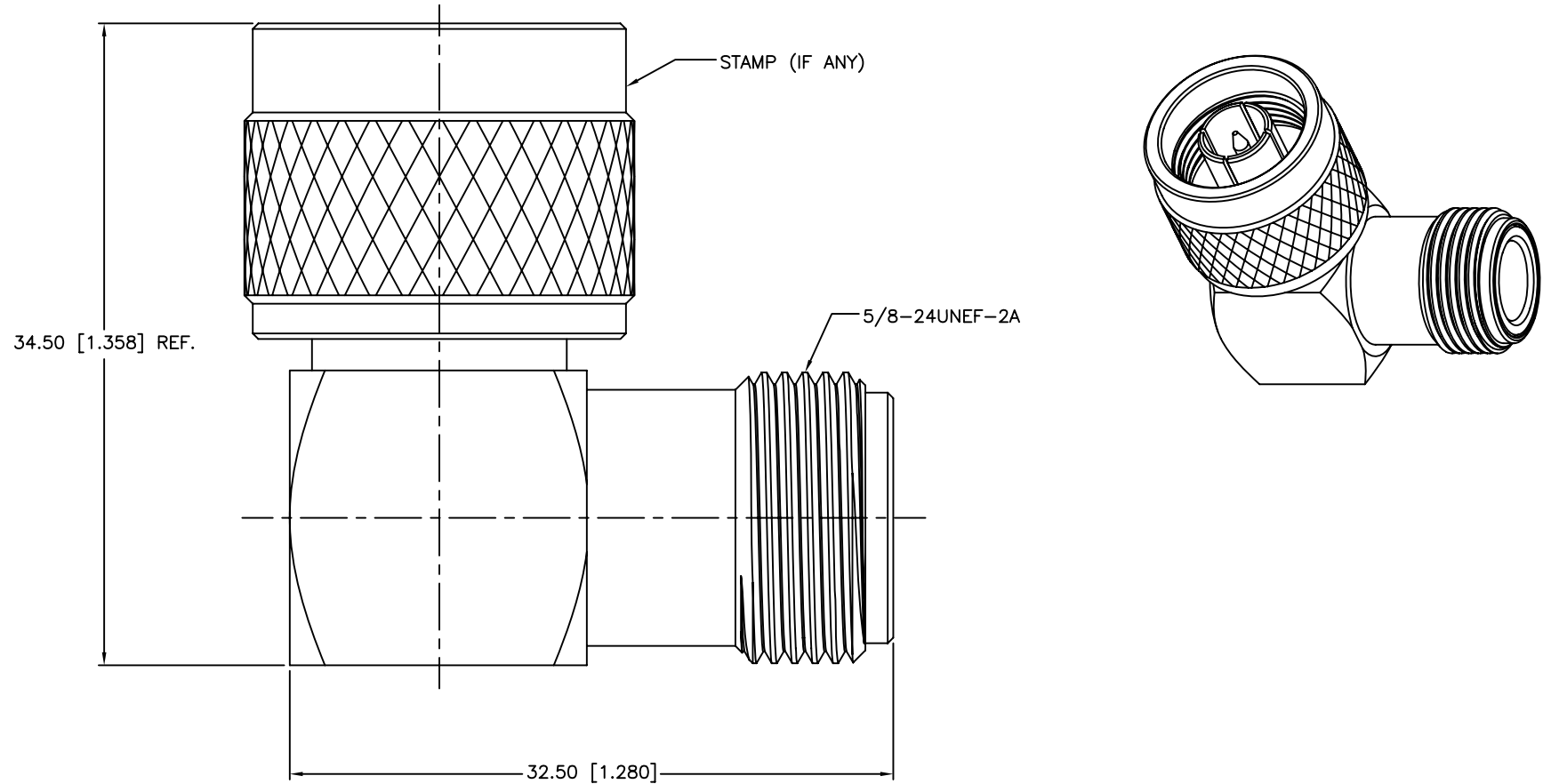


REV.	DATE	ECR NO.	DESCRIPTION
NC	03/16/09	XXXXXX	INITIAL RELEASE
A	11/05/13	2548	UPDATE DRAWING FORMAT, UPDATE VENDOR DRAWING



1. IMPEDANCE: 50 OHM
2. FREQUENCY RANGE: 0-11 GHZ
3. DIELECTRIC WITHSTANDING VOLTAGE: 2500 VRMS, MIN.
4. DURABILITY: 500 CYCLES MIN.
5. TEMPERATURE RANGE: -65°C TO +165°C

QTY	DESCRIPTION	MATERIAL	FINISH	DO NOT SCALE DRAWING	APPROVALS	DATE	Amphenol Connex			
1	SHELL	BRASS	NEXCOTE		DRAWN	M.ZHANG	11/05/13	PART DESCRIPTION N MALE TO FEMALE RIGHT ANGLE ADAPTER		
1	GASKET	SILICONE RUBBER	RED		CHECKED					
1	RETAINING RING	SUS 304	NATURAL		ISSUED			PART NO. 172193		
1	INNER BODY	BRASS	NEXCOTE		SHEET	1 OF 1		DWG. NO. 172193.DWG		
1	INSULATOR	PTFE	NATURAL		CAD FILE	C:/CONNEX/172193.DWG		REV.	SIZE	SCALE
1	CONTACT BODY	BRASS	NEXCOTE					A	A	NA
1	INSULATOR	PTFE	NATURAL							
1	CONTACT PIN	PHOSPHOR BRONZE	GOLD							
1	HOUSING WITH BODY	BRASS	NEXCOTE							

UNLESS OTHERWISE SPECIFIED DIMENSIONS ARE IN MILLIMETERS. DIMENSIONS IN [] ARE IN INCHES AND FOR CUSTOMER REFERENCE ONLY. UNLESS OTHERWISE SPECIFIED

TOLERANCES FOR MILLIMETERS ARE:
 <0.5 ± 0.05mm
 0.5 - 6mm ± 0.10mm
 6 - 30mm ± 0.20mm
 30 - 120mm ± 0.30mm
 ANGLES ± 1°

UNLESS OTHERWISE SPECIFIED TOLERANCES FOR INCHES ARE:
 <.020 ± 0.002"
 .020 - .236 ± 0.004"
 .236 - 1.180 ± 0.007"
 1.180 - 4.724 ± 0.012"
 ANGLES ± 1°