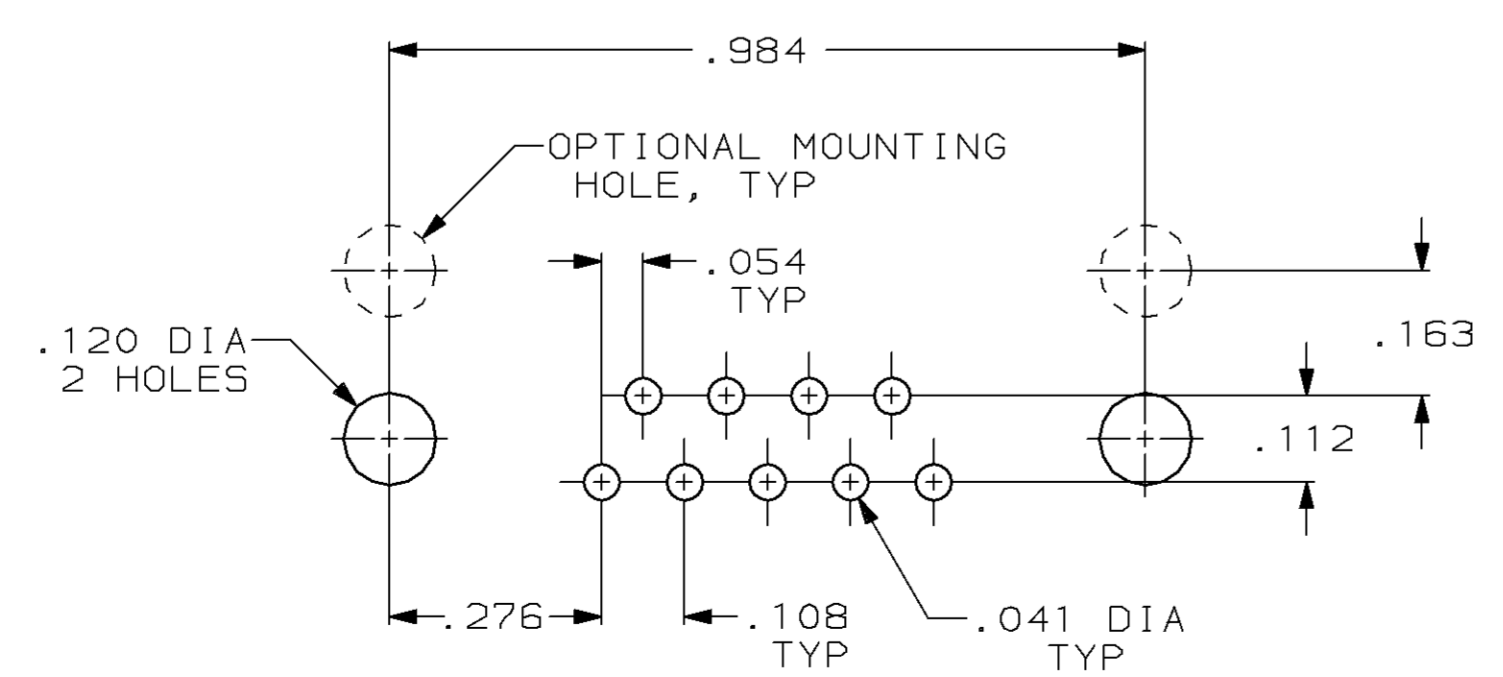
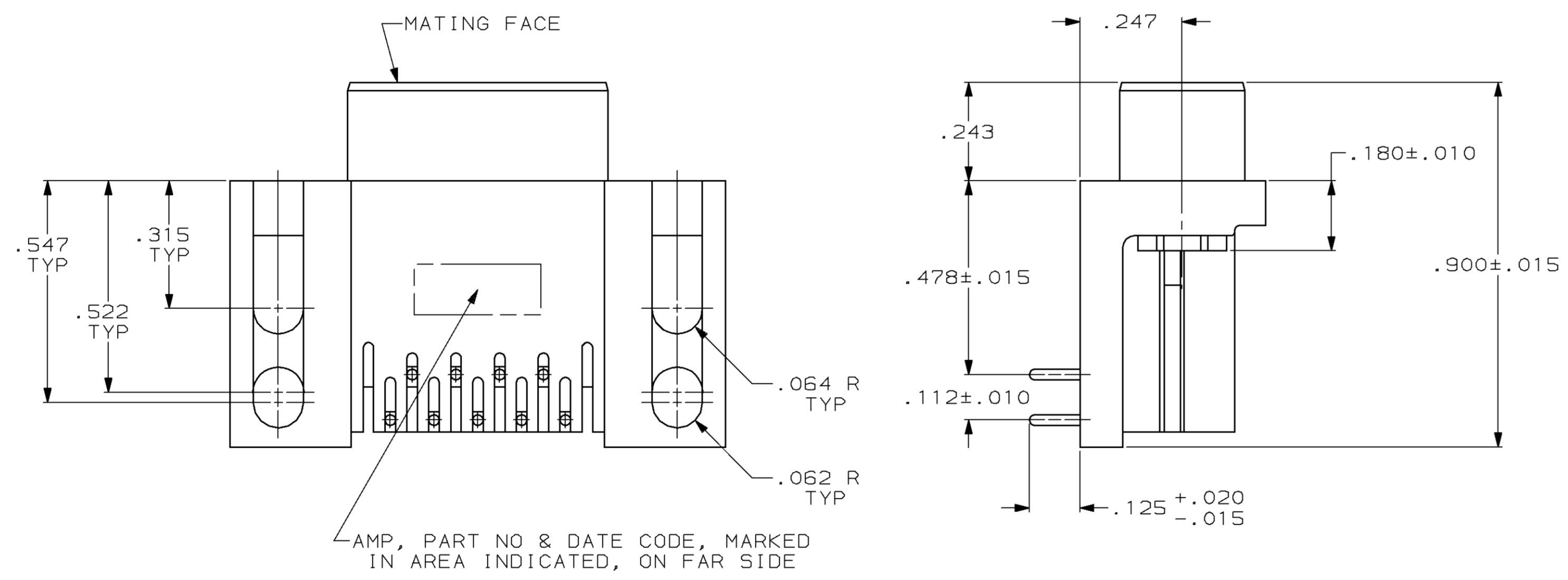
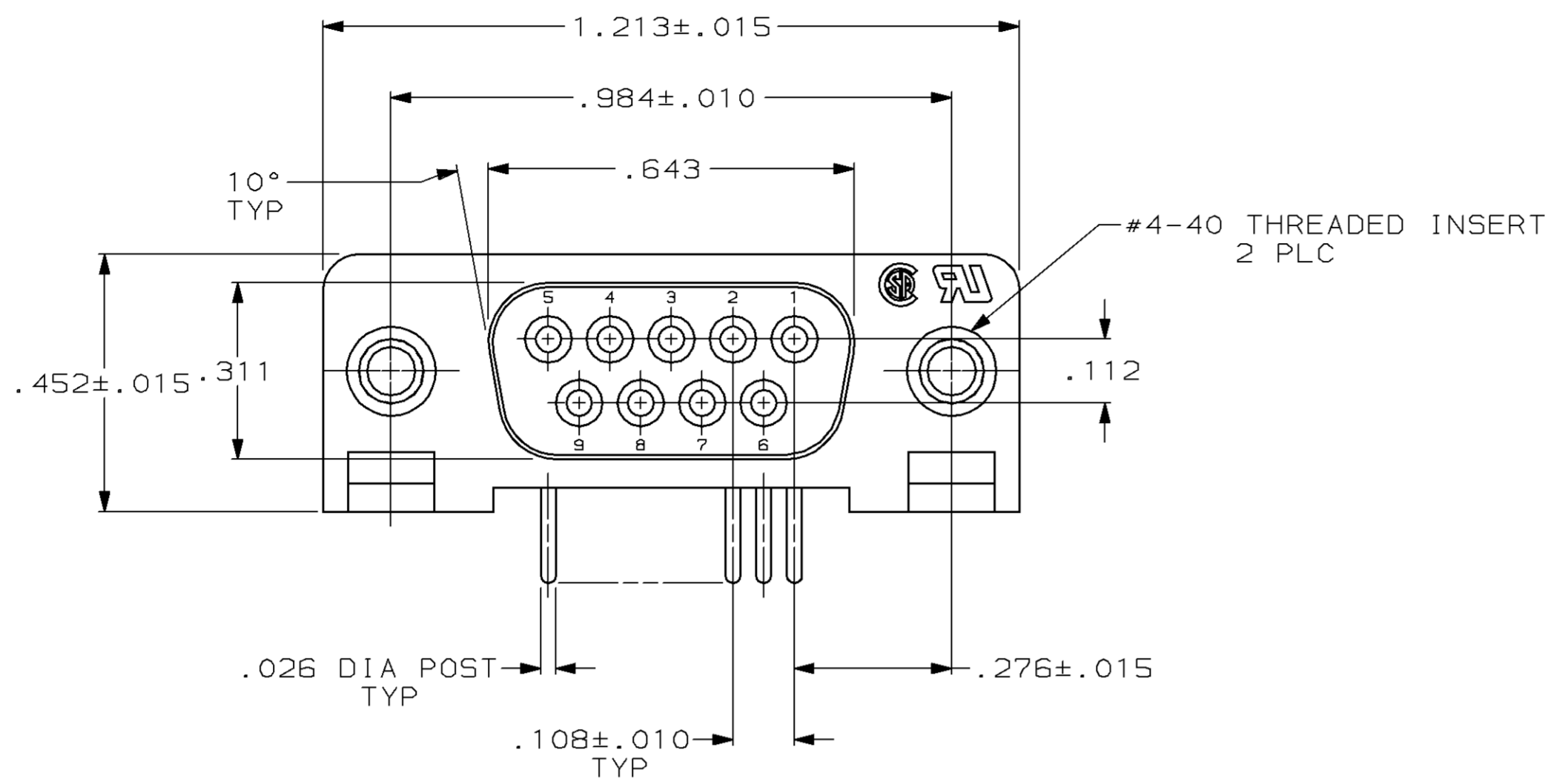


DRAWING MADE IN THIRD ANGLE PROJECTION  
 THIS DRAWING IS UNPUBLISHED. RELEASED FOR PUBLICATION  
 © COPYRIGHT 19 BY AMP INCORPORATED, HARRISBURG, PA. ALL INTERNATIONAL RIGHTS RESERVED. AMP PRODUCTS MAY BE COVERED BY U.S. AND FOREIGN PATENTS AND/OR PATENTS PENDING.

LOC		DIST		P		F		ZONE		LTR		REVISIONS		DATE	APPD
BD	77												DESCRIPTION	15 DEC 95	RT
													E	REV PER EC 0020-983-95	



- ① FLAME RETARDANT, 94V-0 RATED, GLASS FILLED NYLON OR POLYESTER, COLOR: BLACK.
- ② PHOS. BRONZE PER QQ-B-750.
- ③ REFER TO APPLICATION SPEC FOR RECOMMENDED P.C. BOARD MOUNTING DIMENSIONS FOR AUTOMATIC INSERTION.
- ④ GOLD PLATING PER MIL-G-45204, TIN PLATING PER MIL-T-10727, NICKEL PLATING PER QQ-N-290.
- ⑤ PLATED WITH GOLD FLASH FOR LENGTH OF .055 MIN FROM MATING END, WITH POINT OF MEASUREMENT .035 FROM MATING END OF CONTACT, .000100-.000200 TIN OR TIN-LEAD ON SOLDER END, ALL OVER .000050 NICKEL ON ENTIRE CONTACT.
- ⑥ PLATED WITH .000030 GOLD FOR LENGTH OF .055 MIN FROM MATING END, WITH POINT OF MEASUREMENT .035 FROM MATING END OF CONTACT, .000100-.000200 TIN OR TIN-LEAD ON SOLDER END, ALL OVER .000050 NICKEL ON ENTIRE CONTACT.

UNLESS OTHERWISE SPECIFIED DIMENSIONS ARE IN INCHES TOLERANCES ON:		DR 5-5-87 S.WELDON	AMP INCORPORATED Harrisburg, Pa. 17105
2 PL DEC ±.005	3 PL DEC ±.005	CHK 5-5-87 C.RICHARD	
MATERIAL		APPD 5-5-87 B.TAYLOR	NAME RECEPTACLE ASSY, SIZE 1, 9 POSN, RIGHT ANGLE, .478 SERIES, .026 DIA POSTS, W/ THREADED INSERTS, AMPLIMITE® HD-20
MOLDED PARTS: ①		APPD 5-5-87 J.ASSINI	
CONTACTS: ②		PRODUCT SPEC 108-40005	SIZE D
INSERTS: ZINC		APPLICATION SPEC 114-40015	FSCM NO 00779
FINISH ③		WEIGHT -	DRAWING NO 745391
CONTACTS: SEE TABLE		SCALE 4:1	SHEET 1 of 1
INSERTS: CLEAR CHROMATE		CUSTOMER DRAWING	