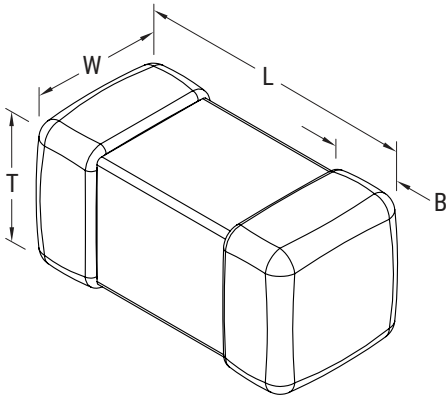


Sample Kit Contents

KEMET Part Number	Case Size	Capacitance	Cap Tolerance	Rated Voltage	Dielectric	Quantity
	EIA/Metric	(pF)	%	(V)		
CBR02C108B1GAC	0201 / 0603	0.1	±0.1 pF	100	COG	100
CBR02C208B1GAC	0201 / 0603	0.2	±0.1 pF	100	COG	100
CBR02C308B1GAC	0201 / 0603	0.3	±0.1 pF	100	COG	100
CBR02C408B1GAC	0201 / 0603	0.4	±0.1 pF	100	COG	100
CBR02C508B1GAC	0201 / 0603	0.5	±0.1 pF	100	COG	100
CBR02C608B1GAC	0201 / 0603	0.6	±0.1 pF	100	COG	100
CBR02C708B1GAC	0201 / 0603	0.7	±0.1 pF	100	COG	100
CBR02C808B1GAC	0201 / 0603	0.8	±0.1 pF	100	COG	100
CBR02C908B1GAC	0201 / 0603	0.9	±0.1 pF	100	COG	100
CBR02C109B1GAC	0201 / 0603	1.0	±0.1 pF	100	COG	100
CBR02C129B1GAC	0201 / 0603	1.2	±0.1 pF	100	COG	100
CBR02C159B1GAC	0201 / 0603	1.5	±0.1 pF	100	COG	100
CBR02C189B1GAC	0201 / 0603	1.8	±0.1 pF	100	COG	100
CBR02C209B1GAC	0201 / 0603	2.0	±0.1 pF	100	COG	100
CBR02C229B1GAC	0201 / 0603	2.2	±0.1 pF	100	COG	100
CBR02C279B1GAC	0201 / 0603	2.7	±0.1 pF	100	COG	100
CBR02C309B1GAC	0201 / 0603	3.0	±0.1 pF	100	COG	100
CBR02C339B1GAC	0201 / 0603	3.3	±0.1 pF	100	COG	100
CBR02C399B1GAC	0201 / 0603	3.9	±0.1 pF	100	COG	100
CBR02C409B1GAC	0201 / 0603	4.0	±0.1 pF	100	COG	100
CBR02C479B1GAC	0201 / 0603	4.7	±0.1 pF	100	COG	100
CBR02C509C1GAC	0201 / 0603	5.0	±0.25 pF	100	COG	100
CBR02C569C1GAC	0201 / 0603	5.6	±0.25 pF	100	COG	100
CBR02C609C1GAC	0201 / 0603	6.0	±0.25 pF	100	COG	100
CBR02C689C1GAC	0201 / 0603	6.8	±0.25 pF	100	COG	100
CBR02C709C1GAC	0201 / 0603	7.0	±0.25 pF	100	COG	100
CBR02C759C1GAC	0201 / 0603	7.5	±0.25 pF	100	COG	100
CBR02C809C1GAC	0201 / 0603	8.0	±0.25 pF	100	COG	100
CBR02C829C1GAC	0201 / 0603	8.2	±0.25 pF	100	COG	100
CBR02C909C1GAC	0201 / 0603	9.0	±0.25 pF	100	COG	100
CBR02C100J1GAC	0201 / 0603	10.0	5%	100	COG	100
CBR02C120J5GAC	0201 / 0603	12.0	5%	50	COG	100
CBR02C150J5GAC	0201 / 0603	15.0	5%	50	COG	100
CBR02C180J5GAC	0201 / 0603	18.0	5%	50	COG	100
CBR02C220J5GAC	0201 / 0603	22.0	5%	50	COG	100
CBR02C270J5GAC	0201 / 0603	27.0	5%	50	COG	100
CBR02C330J5GAC	0201 / 0603	33.0	5%	50	COG	100
CBR02C390J5GAC	0201 / 0603	39.0	5%	50	COG	100
KEMET Part Number	Case Size	Capacitance	Cap Tolerance	Rated Voltage	Dielectric	Quantity

Dimensions – Millimeters (Inches)



Case Size (in.)	Case Size (mm)	L Length	W Width	T Thickness	B Bandwidth	Mounting Technique
0201	0603	0.60±0.03 (0.024±0.001)	0.30±0.03 (0.012±0.001)	0.30±0.03 (0.012±0.001)	0.15±0.05 (0.006±0.002)	Solder Reflow Only