

6

5

4

3

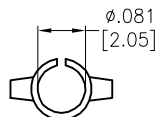
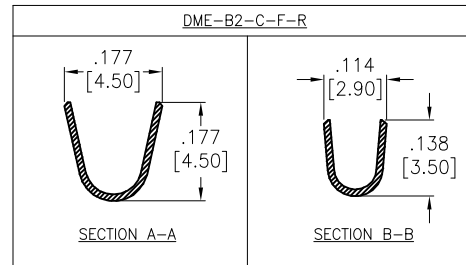
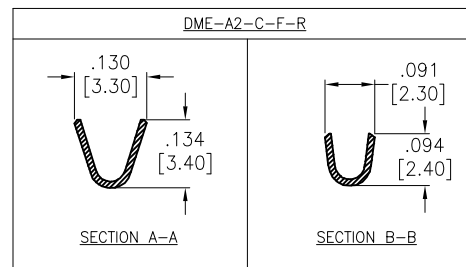
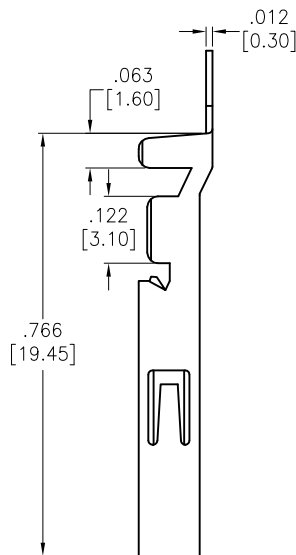
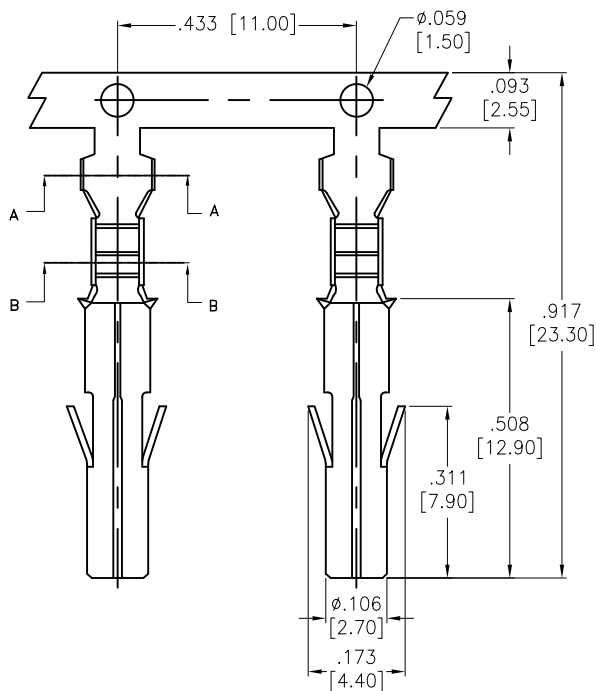
2

1

APPROVED: \_\_\_\_\_

DATE: \_\_\_\_\_ TITLE: \_\_\_\_\_

Rev	AWO #	Description	Date	Appr
-		RELEASED	6/20/19	



SPECIFICATIONS:

Material:

Contacts: Brass, Tin Plated, Thickness: 0.3mm

Electrical:

Voltage rating: 600 VAC/DC

Current rating: 2~5 Circuit 12 A AC/DC

6~15 Circuit 9 A AC/DC

Contact resistance: 20 mohms max

Insulation resistance: 1,000 Mohms min

Dielectric withstanding voltage: 2900 VAC For 1 Minute

Mechanical:

Wire: A: AWG# 18~22

B: AWG# 16~20

Temperature Rating:

-40°C to +105°C

Environmental:

Lead free, RoHS compliant



UNLESS OTHERWISE SPECIFIED ALL DIMENSIONS ARE INCHES [MM] TOLERANCES: EXCEPT AS NOTED		<b>ADAM TECH</b> 909 Rahway Avenue, Union, NJ 07083 Phone: 908-687-5000 Fax: 908-687-5710	
INCHES		<b>INTERCONNECTS</b>	
.X ± .10	∅.X ± .10	TITLE: CRIMP CONTACT, DME SERIES	
.XX ± .020	∅.XX ± .015	TIN PLATED	
.XXX ± .015	∅.XXX ± .010	SIZE: X PART NO.: DME-X2-C-F-R REV.: -	
APPROVALS		REF: S00124T SCALE: NTS SHEET 1 OF 1	
DRAWN: LH	DATE: 6/20/19		
CHECKED: TY	DATE: 6/20/19		
APPROVED:			

6

5

4

3

2

1