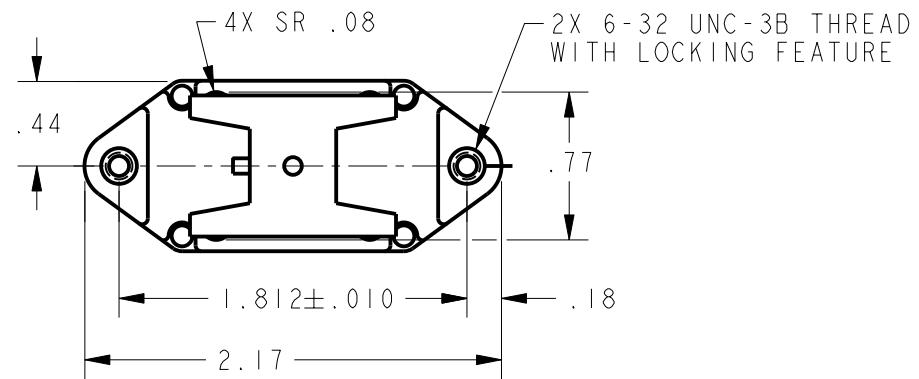
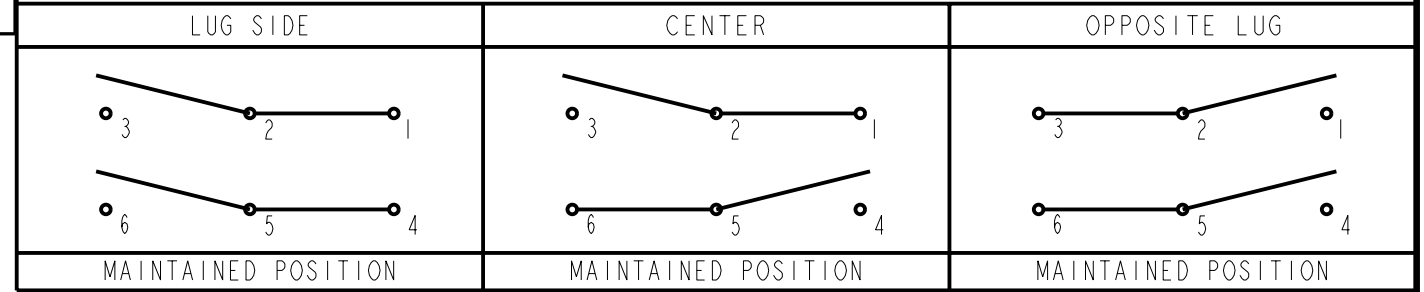


**SWITCH - TOGGLE  
ABOVE PANEL MOUNT**

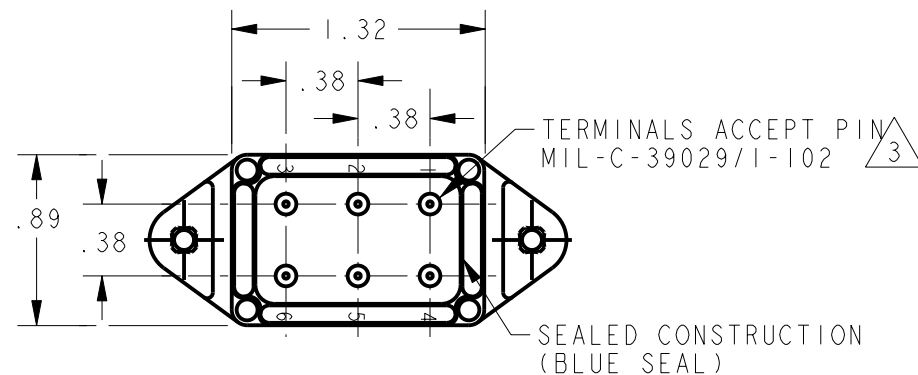
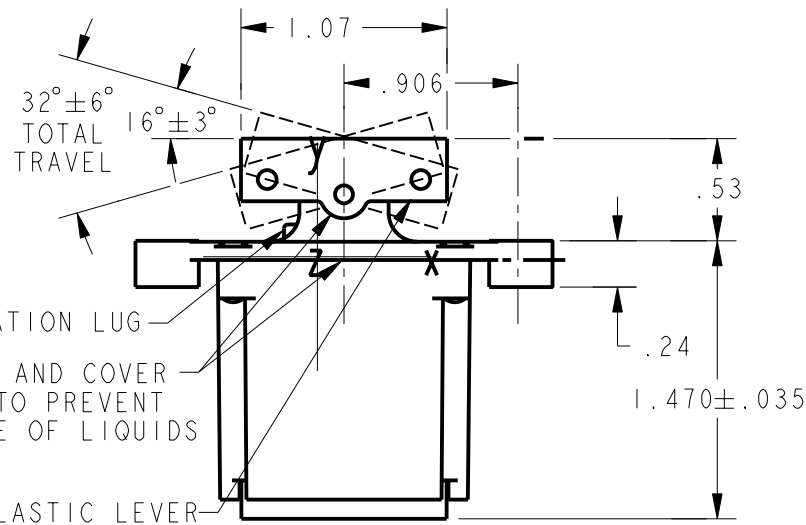
CATALOG LISTING  
**102TP81-10**

THIS DRAWING COVERS A PROPRIETARY ITEM AND IS THE PROPERTY OF MICRO SWITCH. A DIVISION OF HONEYWELL. THIS DRAWING IS NOT TO BE COPIED OR USED WITHOUT THE APPROVAL OF MICRO SWITCH

CIRCUIT MADE WITH TOGGLE LEVER IN



ELECTRICAL DATA	
L191	15A 125, 250, 277 VAC 1/2HP 125 VAC 1HP 250, 277 VAC 5A 125 VAC "L"



NOTES

- 1 - CIRCUIT DESIGNATION AND MICRO SWITCH CATALOG LISTING MARKED ON SIDE OF SWITCH
- 2 - SWITCHES ARE CAPABLE OF WITHSTANDING A TEMPERATURE OF 160°F CONTINUOUSLY AT FULL RATED LOAD
- 3 - THE SEALING GROMMET SHALL SEAL ON A SMOOTH WIRE INSULATION OF Ø.040 TO Ø.083 (14-16 GAGE)
- 4 - UNUSED TERMINAL HOLES MAY BE SEALED WITH PLUGS M83723/28-16

THIRD ANGLE PROJECTION	
SCALE	FULL
DO NOT SCALE PRINT	
UNLESS OTHERWISE SPECIFIED TOLERANCES ARE	
ONE PLACE	(.0) ±.030
TWO PLACE	(.00) ±.015
THREE PLACE	(.000) ±.005
ANGLES	±
WEIGHT	

102TP81-10  
 CATALOG LISTING  
 PAGE 1 OF 1  
 RELEASE NO. PR-21774  
 REPLACES  
 CHECK  
 ISSUE 3  
 REVISIONS  
 A 200024  
 WJC  
 19 JAN 00  
 CHECK  
 19 JAN 00  
 SAV  
 CHECK  
 19 JAN 00  
 DRAWN  
 WJC  
 PTC/CAD 2D