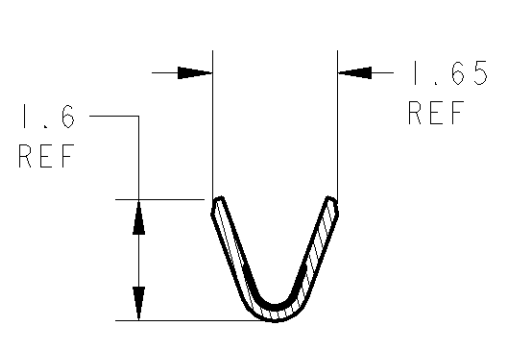
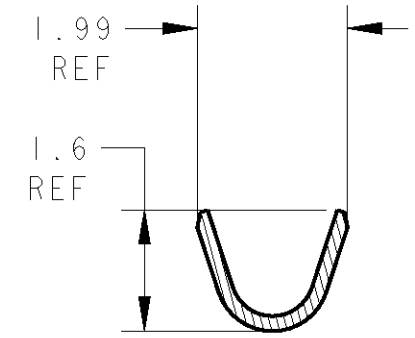
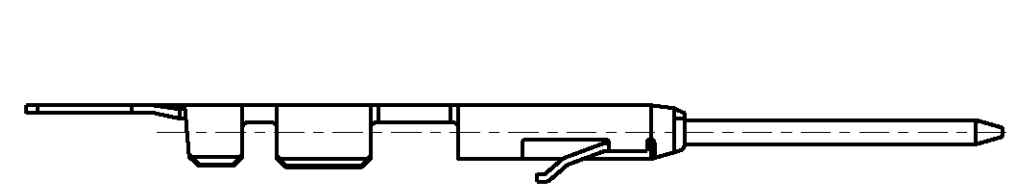


THIS DRAWING IS UNPUBLISHED. RELEASED FOR PUBLICATION 20
 © COPYRIGHT 20 BY TYCO ELECTRONICS CORPORATION. ALL RIGHTS RESERVED.

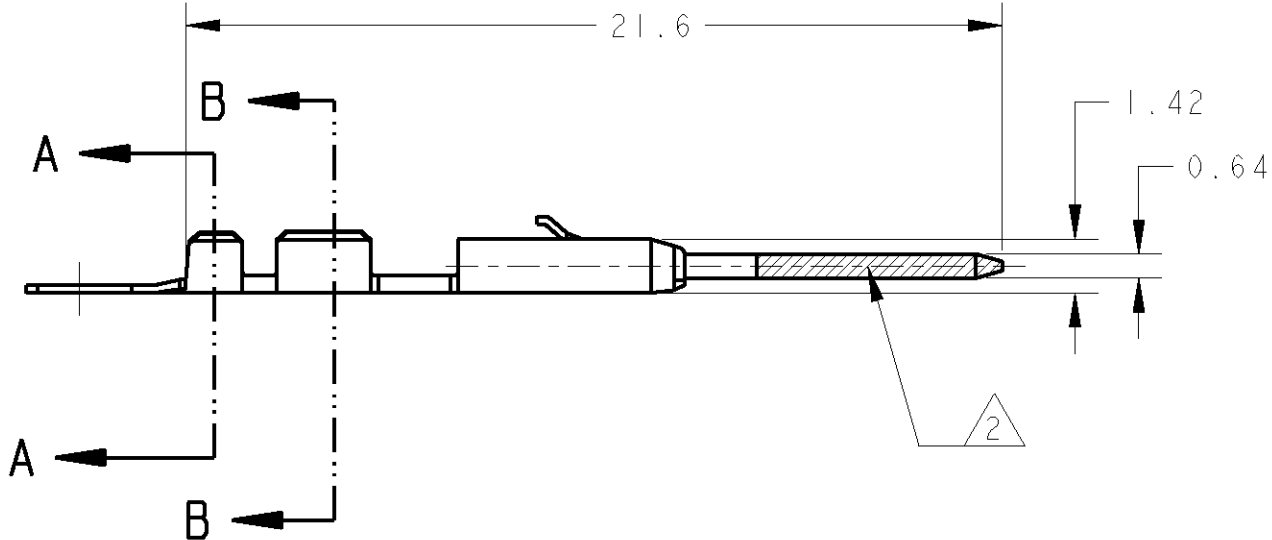
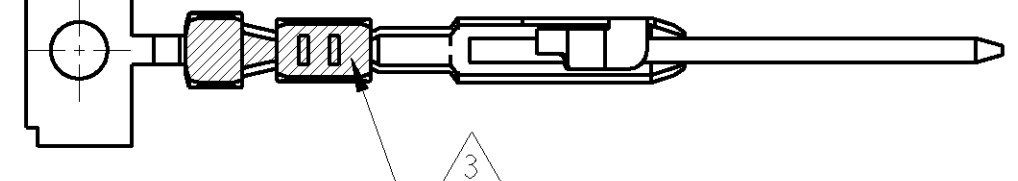
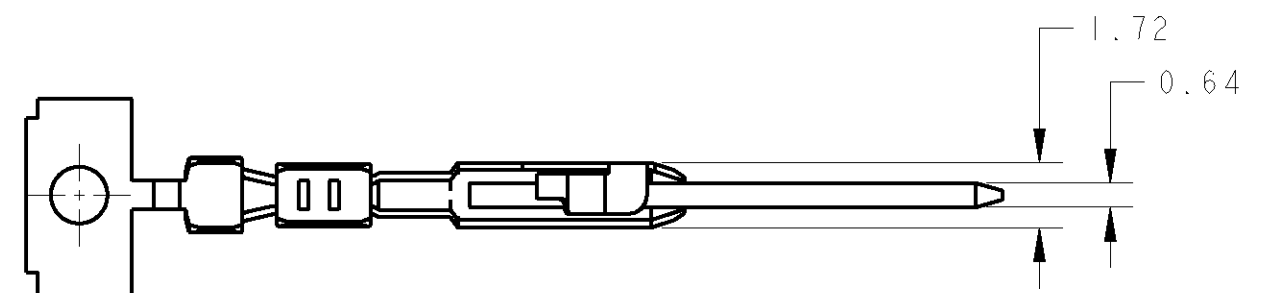
LOC	DIST	REVISIONS					
J	-	P	LTR	DESCRIPTION	DATE	DWN	APVD
			A	RELEASED	31AUG2009	Y.O	T.K

- 1: 本図
 - 1: AS SHOEN



A-A
SCALE: 10:1

B-B
SCALE: 10:1



- ① 材料、仕上げ
 ポスト: 金メッキ済黄銅
 ボディー: 錫メッキ済リン青銅
 - ② 金メッキエリア
 - ③ 錫メッキエリア
 - ④ 適用ハウジング; 1376959-1
-
- ① MATERIAL, FINISH
 POST: Brass, GOLD PLATING
 BODY: PBR, TIN PLATING
 - ② GOLD PLATING AREA
 - ③ TIN PLATING AREA
 - ④ APPLICABLE HOUSING: 1376959-1

THIS DRAWING IS A CONTROLLED DOCUMENT FOR TYCO ELECTRONICS CORPORATION
 IT IS SUBJECT TO CHANGE AND THE CONTROLLING ENGINEERING ORGANIZATION
 SHOULD BE CONTACTED FOR THE LATEST REVISION.

DIMENSIONS: 単位: 珪 mm		TOLERANCES UNLESS OTHERWISE SPECIFIED:	
		一般公差	±0.3
		0 PLC	±
		1 PLC	±
		2 PLC	±
		3 PLC	±
		4 PLC	±
		ANGLES	±3°
MATERIAL 材料	FINISH 仕上		

DWN	Y. OKADA	31AUG2009
CHK	N. YAMASAKI	31AUG2009
APVD	T. KIMIURA	31AUG2009
PRODUCT SPEC	108-5729-1	
APPLICATION SPEC	114-5464	
WEIGHT		

WIRE RANGE 絶縁電線断面積	#22-#26	INSULATION DIA 被覆外径	0.91-1.37
Tyco Electronics Corporation Kawasaki, Japan		NAME 名称	
TAB CONTACT, FAN MOTOR CONN			
SIZE	CAGE CODE	DRAWING NO 番号	RESTRICTED TO
A3	00779	C=1717024	-
CUSTOMER DRAWING		SCALE 尺度	SHEET OF REV
		2.1	1 A