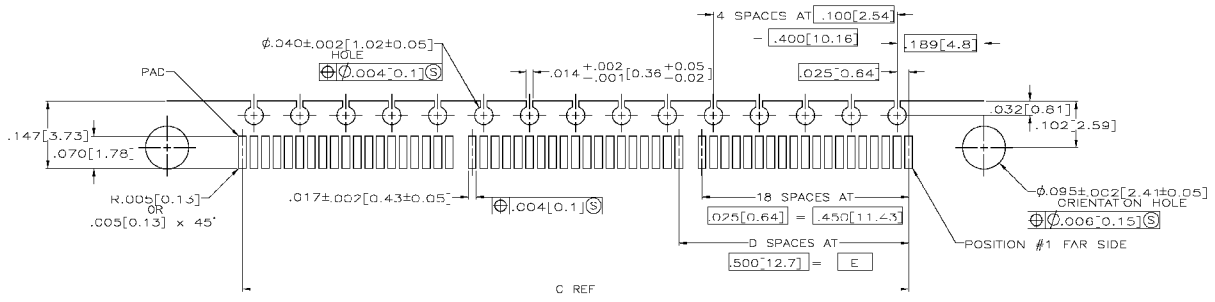
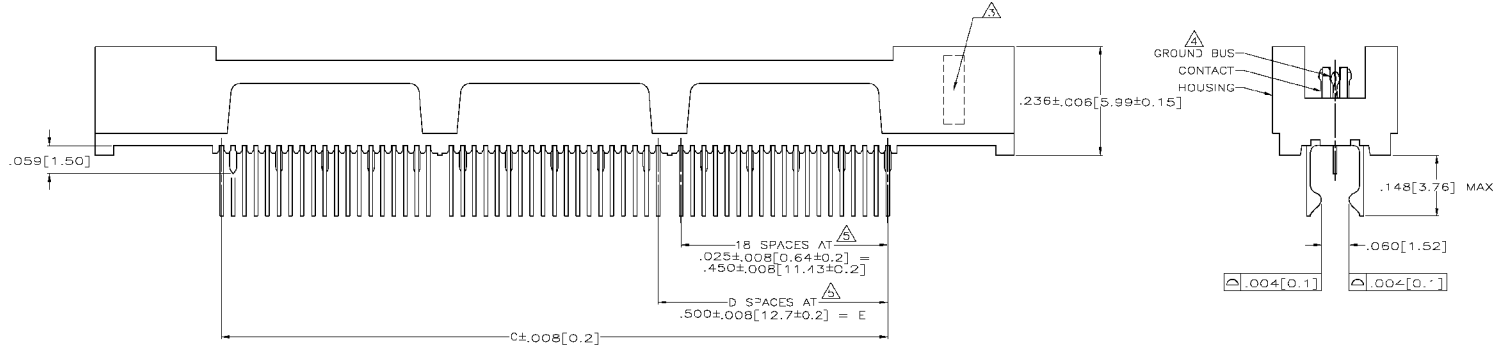


- △ HOUSING: LIQUID CRYSTAL POLYMER, COLOR BLACK.
- CONTACTS: HIGH RELIABILITY COPPER ALLOY.
- GROUND BUSES: PHOSPHOR BRONZE ALLOY, UNS C51100.
- CONTACTS & GROUND BUSES: .000005[0.00013] MIN GOLD OVER .000030[0.00076] MIN PALLADIUM NICKEL ON CONTACT AREA, .000150-.000250[0.00381-0.00635] 60/40 TIN-LEAD ON LEADS, ALL OVER .000075-.000175[0.00191-0.00445] NICKEL.
- △ DATE CODE MARKED IN AREA INDICATED ON SIDE OPPOSITE POSITION #1.
- △ ONE GROUND BUS WITH 5 TAILS PER EACH MODULE.
- △ TOLERANCE NON-ACCUMULATIVE.



RECOMMENDED PC BOARD LAYOUT (MIRROR IMAGE ON OPPOSITE SIDE)

PC BOARD THICKNESS	BUS LEADS TYPE	E	D	C	B	A	NO OF POS	PART NUMBER
.062[1.52]	EXTENDED	3.000[76.2]	5	3.450[87.63]	3.900[99.06]	4.000[101.6]	288	767044-7
.062[1.52]	EXTENDED	2.500[63.5]	5	2.950[74.93]	3.400[86.36]	3.500[88.9]	228	767044-6
.062[1.52]	EXTENDED	2.000[50.8]	4	2.450[62.23]	2.900[73.66]	3.000[76.2]	192	767044-5
.062[1.52]	EXTENDED	1.500[38.1]	3	1.950[49.53]	2.400[60.96]	2.500[63.5]	152	767044-4
.062[1.52]	EXTENDED	1.000[25.4]	2	1.450[36.83]	1.900[48.26]	2.000[50.8]	114	767044-3
.062[1.52]	EXTENDED	.500[12.7]	1	.950[24.13]	1.400[35.56]	1.500[38.1]	76	767044-2
.062[1.52]	EXTENDED	.000[0]	0	.450[11.43]	.900[22.86]	1.000[25.4]	38	767044-1

AMP 767044-7	AMP 767044-6	AMP 767044-5	AMP 767044-4	AMP 767044-3	AMP 767044-2	AMP 767044-1
--------------	--------------	--------------	--------------	--------------	--------------	--------------

AMP	AMP	AMP	AMP	AMP	AMP	AMP
-----	-----	-----	-----	-----	-----	-----

AMP	AMP	AMP	AMP	AMP	AMP	AMP
-----	-----	-----	-----	-----	-----	-----

AMP	AMP	AMP	AMP	AMP	AMP	AMP
-----	-----	-----	-----	-----	-----	-----