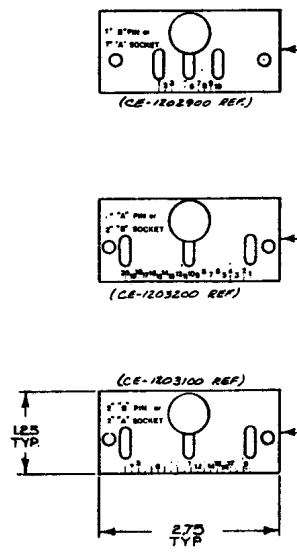
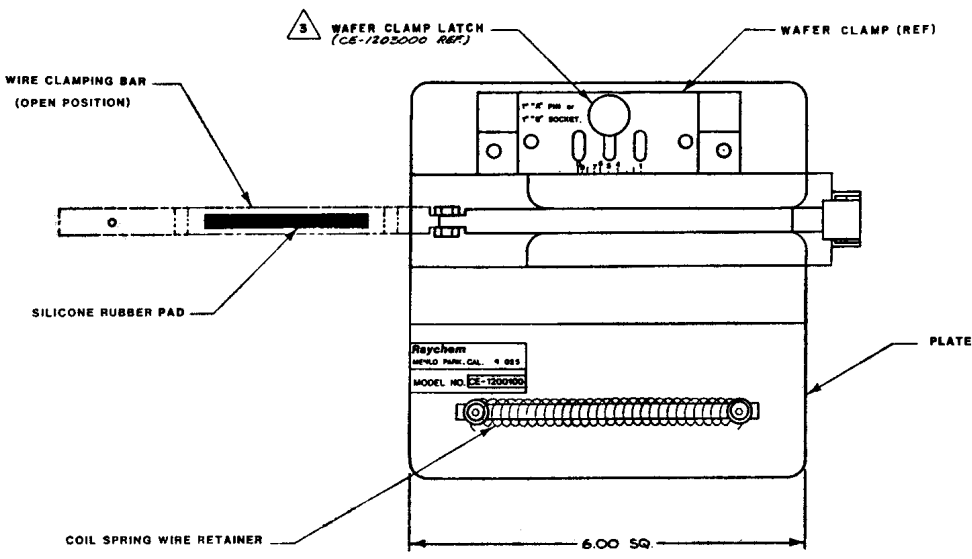
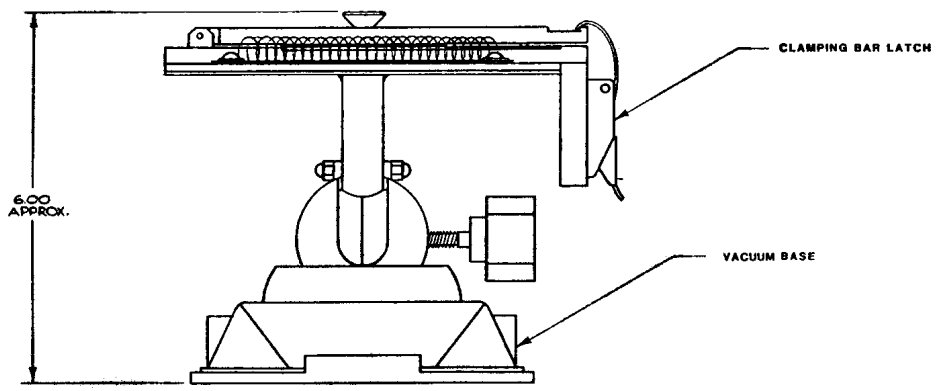


ZONE LTR		REVISIONS	DESCRIPTION	DATE	APPROVED
C					
D			CHANGED NOTE Δ PER ECR 00076	01/17/08	YHE
E			CHANGED TERM FROM COVER TO CLAMP PER ECR 00087.	04/10/08	YHE
F			ADDED DIM. NO. TO WAFER CLAMP ECR 00074	03/28/08	YHE
G			REV PER ECO 17-010935	CT 7-17	CD



WAFER CLAMP SET (4 PIECES) - TO INCLUDE CLAMP SHOWN ON FIXTURE



NOTES:

1. THIS FIXTURE FOR USE WITH MTC 100 ELECTRICAL CONNECTOR. WAFERS MANUFACTURED BY RAYCHEM CORPORATION
 2. REFER TO ES 81102 FOR FURTHER OPERATING INSTRUCTIONS
- Δ SPARE PART ITEM- GROMMET P/N 22556-9 AND PLUNGER P/N 26855-5

CONNECTOR SPECIFICATION CONTROL DRAWING

ITEM	QTY.	PART NUMBER	DWG. OR SPEC.	PARTS LIST		DESCRIPTION
THIS DRAWING AND THE INFORMATION SET FORTH HEREON ARE THE PROPERTY OF RAYCHEM CORPORATION, AND ARE TO BE HELD IN TRUST AND CONFIDENCE. PUBLICATION, DUPLICATION, DISCLOSURE, OR USE FOR ANY PURPOSE NOT EXPRESSLY AUTHORIZED IN WRITING BY RAYCHEM CORPORATION IS PROHIBITED.				UNLESS OTHERWISE SPECIFIED DIMENSIONS ARE IN INCHES AND TOLERANCES ARE:	DRAWN	RJG
				XXX ± .03	CHECKED	ES
MATERIAL				APPROVED	[Signature]	12/27/07
				APPROVED		
FINISH				PART NUMBER	965003	SIZE
				NO. 06090		CODE IDENT.
DO NOT SCALE THIS DRAWING				NEXT ASSY		DWG. NO.
				USED ON		CE-1200100
APPLICATION				PROJECT		SCALE
						FULL
						TITLE
						Raychem
						BENCH TERMINATION FIXTURE, MTC WAFERS
						1 SHEET 1 of 1
						REV G

If this document is printed it becomes uncontrolled. Check with the web for latest revision.