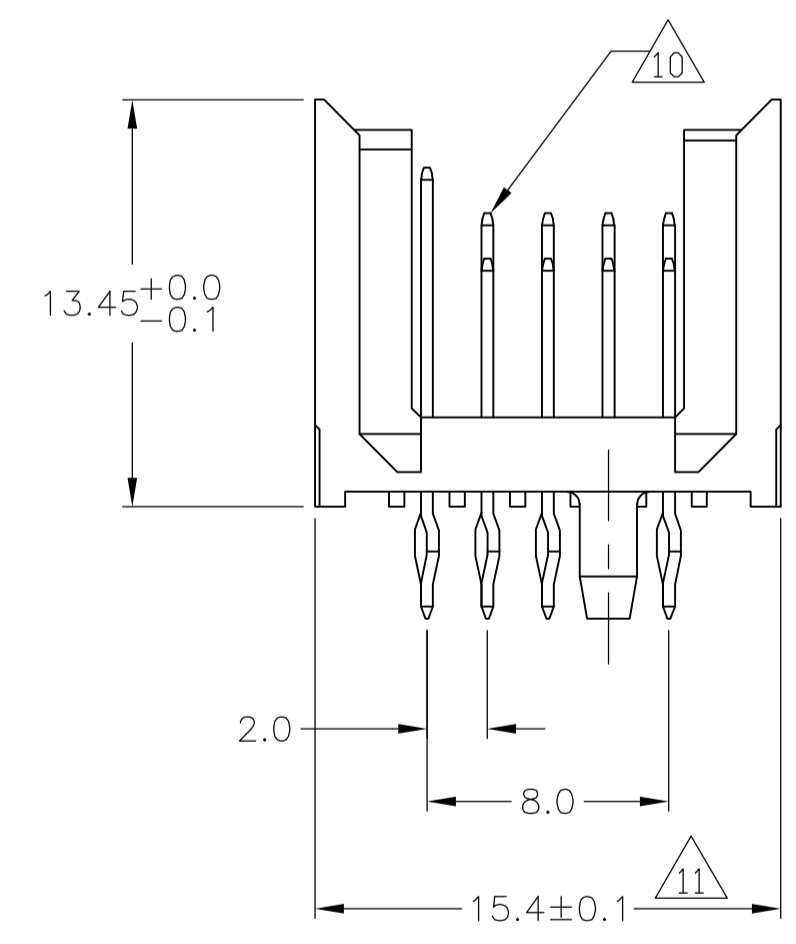
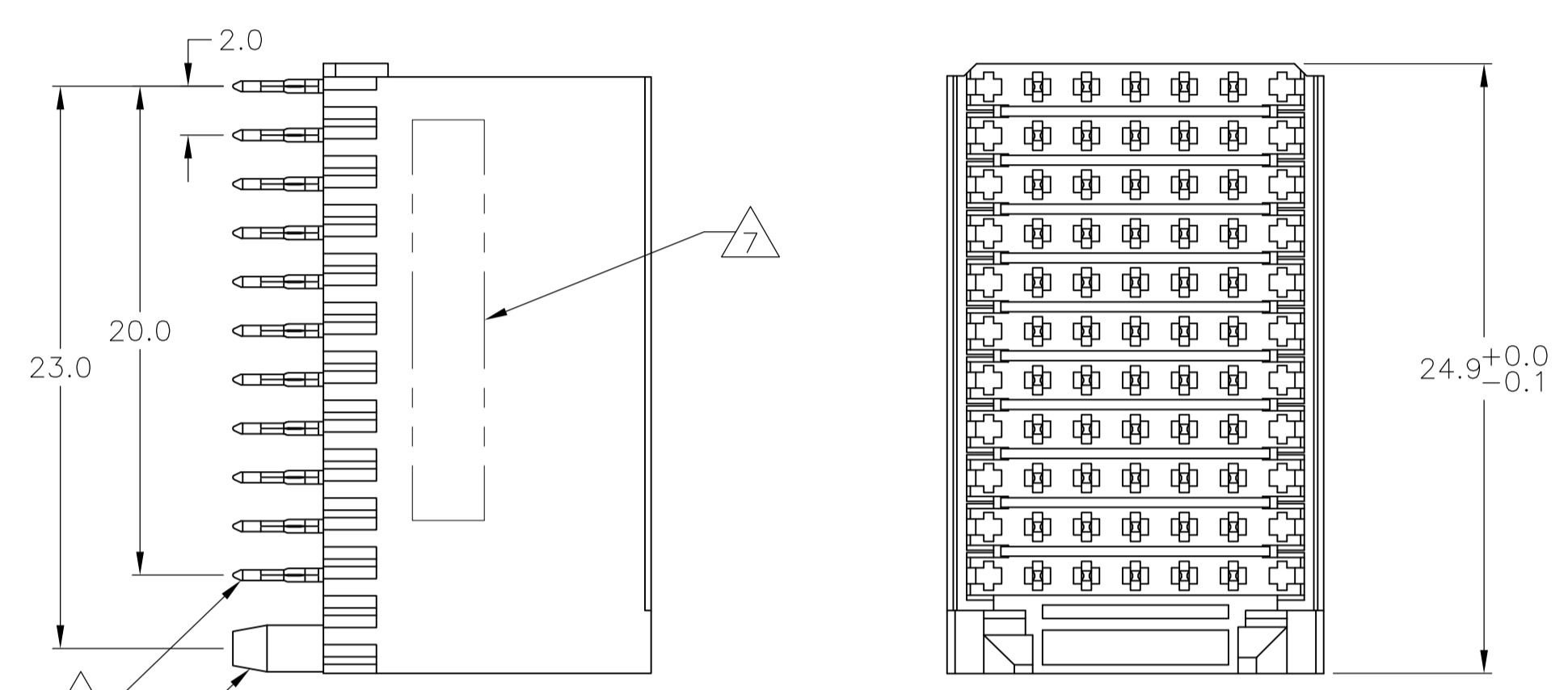
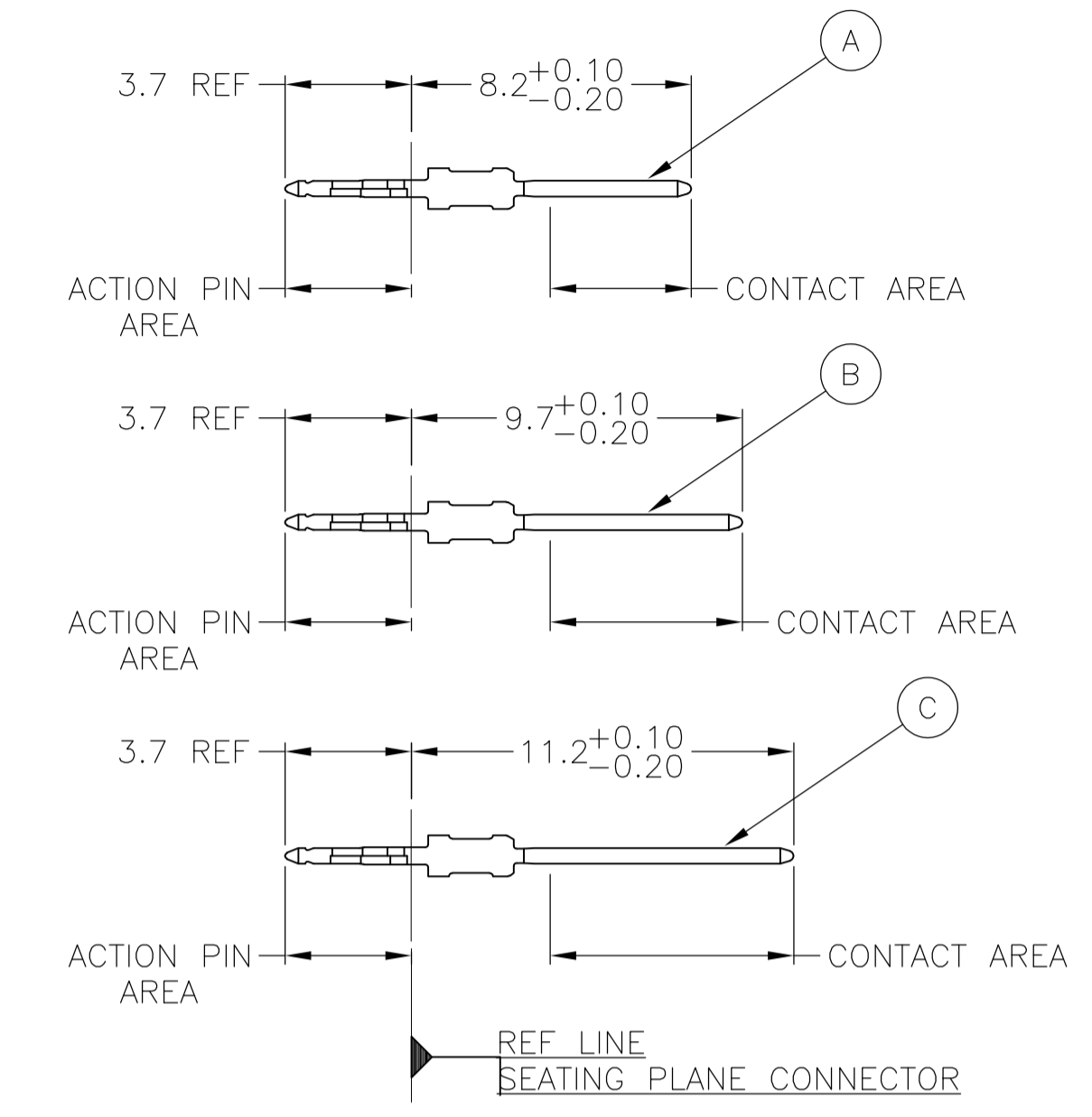


LOC		DIST		REVISIONS					
AD	00	REV	PER	EC	DATE	BY	CHK		
		O	REV	PER	EC	0512-0309-04	23MAY05	BC	GS
		A	ECR	-10-019054			15SEP10	DP	MQW

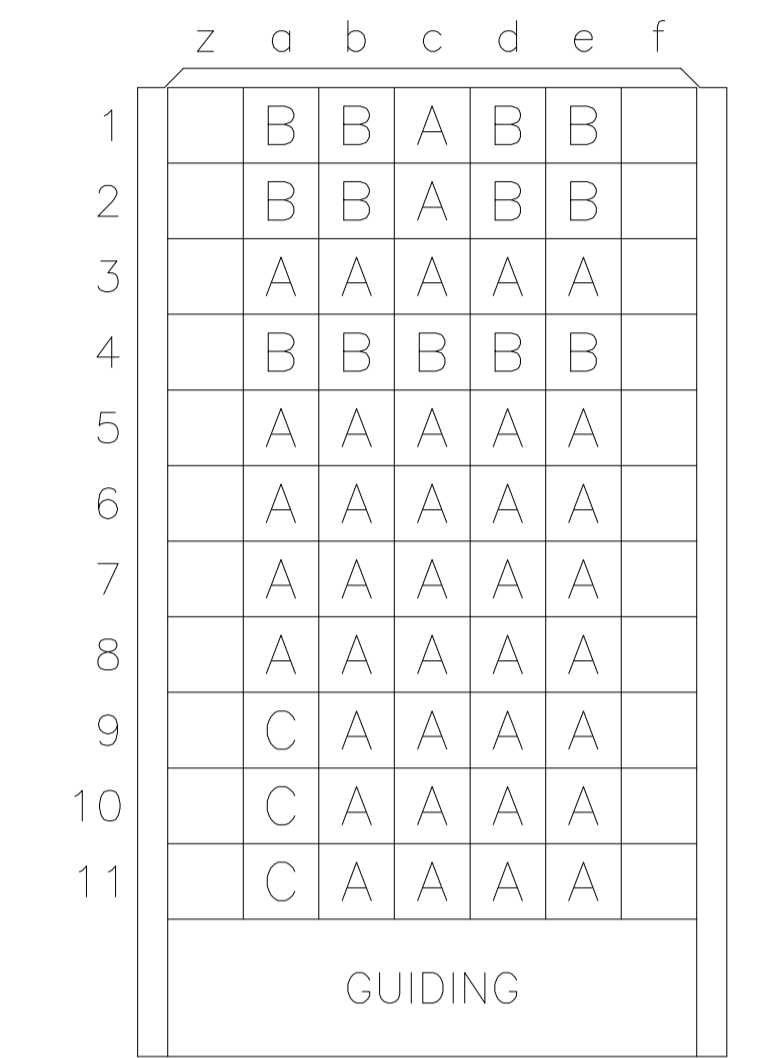
CONNECTOR ASSEMBLY EXAMPLARY LOADED



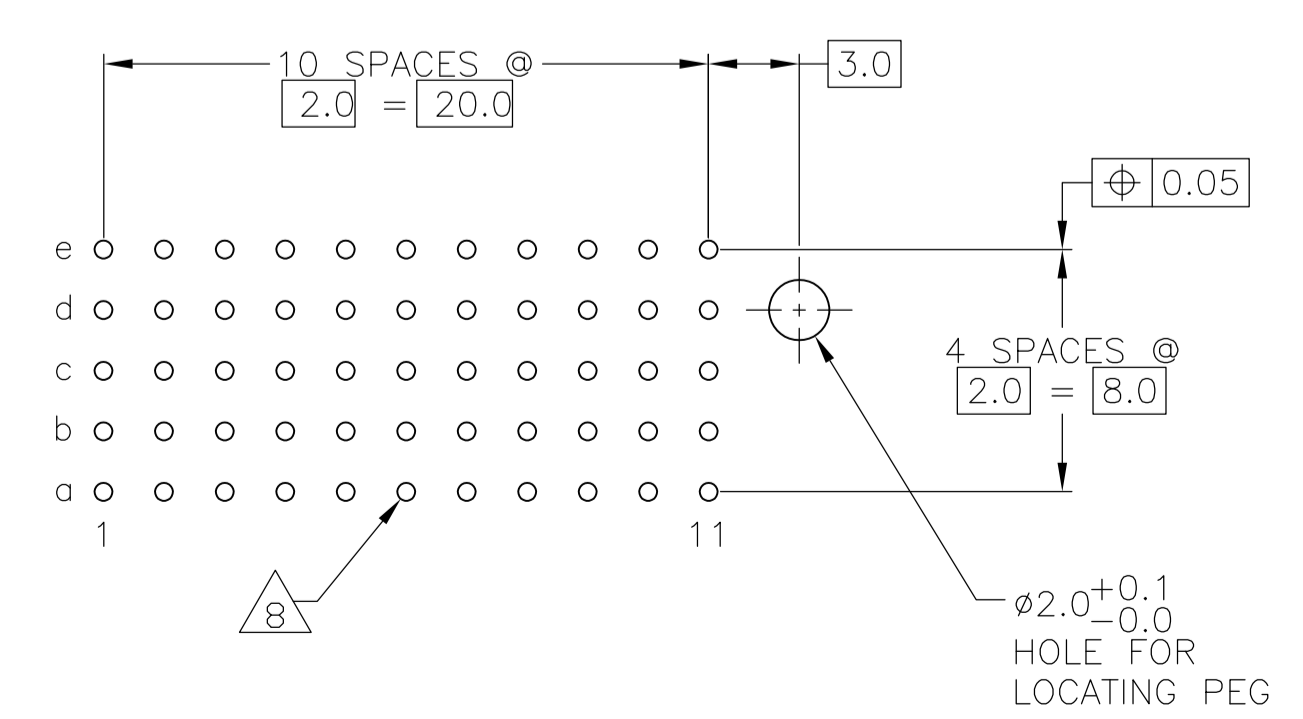
CONTACT DIMENSIONS SCALE 5:1



CONTACT LAYOUT



RECOMMENDED PCB-HOLE LAYOUT COMPONENT SIDE SHOWN



PLATED THRU HOLES PARAMETERS REFERENCE APPLICATION SPECIFICATION


2	6	13	1-6483073-9
2	5	13	6483073-9
2	4		6483073-4
2	3		6483073-1
FINISH			PART NUMBER

THIS DRAWING IS A CONTROLLED DOCUMENT.

DIMENSIONS: mm	TOLERANCES UNLESS OTHERWISE SPECIFIED: 0-PLC ± 1-PLC ± 0.2 2-PLC ± 0.02 3-PLC ± 0.005 4-PLC ± 0.002 ANGLES ± 0.30°	DIN B CARBO 23MAY05 CHK G SKIPPER 23MAY05 APVD G SKIPPER 23MAY05 PRODUCT SPEC	Tyco Electronics Corporation Harrisburg, Pa 17105-3608
MATERIAL	FINISH SEE TABLE	NAME MALE ASSEMBLY, Z-PACK 2mm HM, TYPE C	SIZE CAGE CODE DRAWING NO A1 00779 C=6483073
CUSTOMER DRAWING		RESTRICTED TO	SCALE 4:1 SHEET 1 OF 2 REV A

LOC	DIST	REVISIONS			
P	LTR	DESCRIPTION	DATE	DN	APVD
AD	00	SEE SHEET 1	-	-	-

- 1 MATERIAL:
CONTACT: PHOSPHOR BRONZE.
HOUSING: GLASS-FILLED POLYESTER.
- 2 GENERAL PLATING SPECIFICATION: UNDERPLATING
(ENTIRE CONTACT): 1.27µm MIN NICKEL AND ACTION
PIN: 0.5µm MIN TIN.
FOR PLATING OF MATING SURFACES SEE APPLICABLE
SPECIFICATION REFERENCE FOR EACH DASH NUMBER.
- 3 CONFORMS TO ALL TESTING ACCORDING TO IEC 61076-4-101
PERFORMANCE LEVEL 2.
- 4 CONFORMS TO ALL TESTING ACCORDING TO IEC 61076-4-101
PERFORMANCE LEVEL 1.
- 5 CONNECTOR TESTED AND QUALIFIED AGAINST TELCORDIA GR-1217-CORE QUALITY LEVEL 3,
CENTRAL OFFICE APPLICATIONS.
- 6 CONNECTOR TESTED AND QUALIFIED AGAINST TELCORDIA GR-1217-CORE QUALITY LEVEL 3,
UNCONTROLLED ENVIROMENT APPLICATIONS.
- 7 CONNECTOR MARKED WITH PART NUMBER AND DATE CODE.
ADDITIONAL CHARACTERS OR MARKINGS, AS WELL AS THE LOCATION OF THE MARKINGS,
MAY BE ADDED FOR TRACEABILITY BASED UPON MANUFACTURERS DISCRETION.
- 8 PLATED-THROUGH HOLES AT 2x2mm SQUARE GRID
PATTERN DEFINED BY CONTACT LAYOUT.
- 9 FOR ACTUAL PIN LOADING SEE "CONTACT LAYOUT".
- 10 FOR ACTUAL PIN DIMENSIONS SEE "CONTACT DIMENSIONS".
- 11 TO BE MEASURED AT BOTTOM OF SHROUD.
- 12 LOCATION PEG.
- 13 CONNECTOR LUBRICATED WITH BELCORE APPROVED LUBRICANT,
TECHNICAL REFERENCE: TR-NWT-001217 ISSUE 1, SEP 1992.

THIS DRAWING IS A CONTROLLED DOCUMENT.		DIN B CARBO	23MAY05	 Tyco Electronics Corporation Harrisburg, Pa 17105-3608
		CHK G SKIPPER	23MAY05	
		APVD G SKIPPER	23MAY05	NAME
		PRODUCT SPEC		
		108-19082		
		APPLICATION SPEC		
		114-19029		
		RESTRICTED TO		
		A1 00779 C=6483073		
		CUSTOMER DRAWING		
		SCALE	4:1	SHEET 2 OF 2
		REV A		