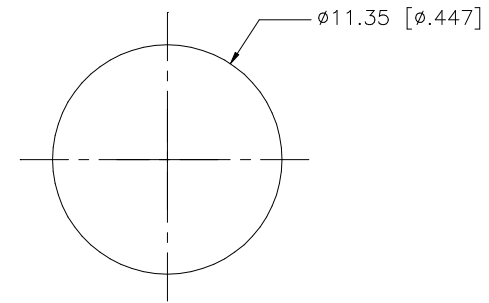
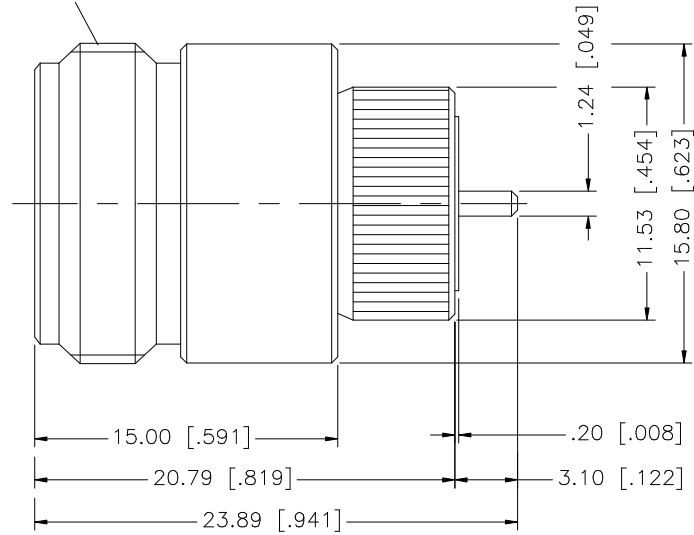


REV.	DATE	DESCRIPTION
NC	08/16/99	INITIAL RELEASE
A	05/29/07	UPDATE DRAWING FORMAT

5/8-24UNEF-2A



RECOMMENDED
MOUNTING HOLE

				UNLESS OTHERWISE SPECIFIED DIMENSIONS ARE IN MILLIMETERS. DIMENSIONS IN [] ARE IN INCHES AND FOR CUSTOMER REFERENCE ONLY.	APPROVALS	DATE	Amphenol Connex				
8				UNLESS OTHERWISE SPECIFIED TOLERANCES FOR MILLIMETERS ARE: 0.5 - 8mm \pm 0.20mm 8 - 30mm \pm 0.40mm 30 - 120mm \pm 0.50mm UNLESS OTHERWISE SPECIFIED TOLERANCES FOR INCHES ARE: .020 - .315 = \pm 0.007" .315 - 1.180 = \pm 0.015" 1.180 - 4.724 = \pm 0.020"	DRAWN	G.R.S.					05/29/07
7					CHECKED						
6					ISSUED						
5						SHEET	1 OF 1		PART NO. 172248		
4					CAD FILE			DWG. NO. 172248.DWG			
3	CONTACT PIN	BER. COPPER	GOLD	1	C:/172/172248.DWG			REV. A	SIZE A	SCALE NA	
2	INSULATOR	TEFLON	NATURAL	1	DO NOT SCALE DRAWING						
1	BODY	BRASS	NEXCOTE	1							
DESCRIPTION				MATERIAL	FINISH	QTY					