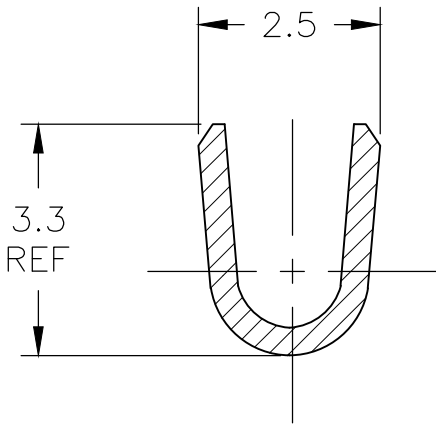
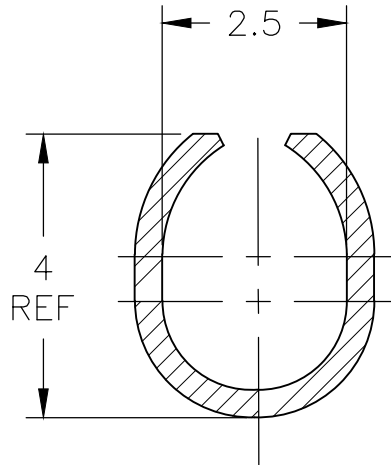


REVISIONS				
P	LTR	DESCRIPTION	DATE	APVD
	A1	REVISED PER ECR-19-008681	09OCT2019	PC DL



WIRE BARREL



INSULATION BARREL

△ 1 OBSOLETE PARTS

△ 1	TIN PLATED	BRASS	160762-4	928906-4
△ 1	PLAIN	BRASS	160762-3	928906-3
	TIN PLATED	PHOSPH.BRONZE	160762-2	928906-2
△ 1	PLAIN	PHOSPH.BRONZE	160762-1	928906-1
	FINISH	MATERIAL	STRIP NO.	PART NO.

RELEASED FOR PUBLICATION

ALL RIGHTS RESERVED.

THIS DRAWING IS UNPUBLISHED.

© COPYRIGHT - By -

DIMENSIONS: mm	DWN RAVI S	21NOV2016	MATERIAL	SEE TABLE	FINISH	SEE TABLE
	CHK LI DAISY	21NOV2016	TE Connectivity			
TOLERANCES UNLESS OTHERWISE SPECIFIED:	APVD DING TIM	21NOV2016				
0 PLC ± -	WIRE RANGE		SIZE	CAGE CODE	DRAWING NO	RESTRICTED TO
1 PLC ± 0.4	0.5-1.5 mm ²		A4	00779	C-928906	-
2 PLC ± -	INSULATION RANGE		SCALE 1:1			
3 PLC ± -	ø2.3-3.0 mm		SHEET 1 OF 1			
4 PLC ± -	WEIGHT -		REV A1			
ANGLES ± -	CUSTOMER DRAWING					

