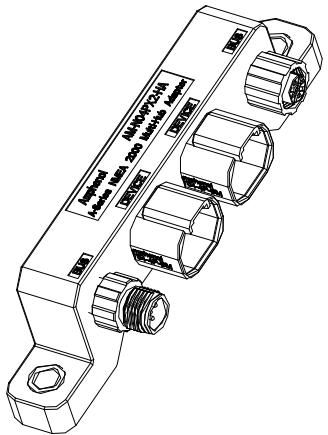
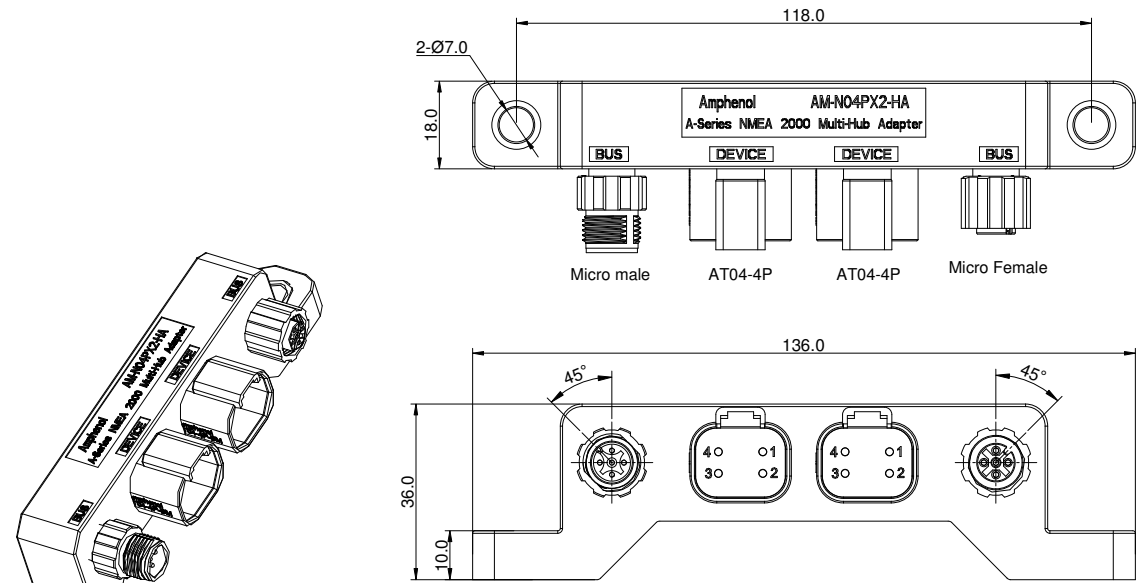


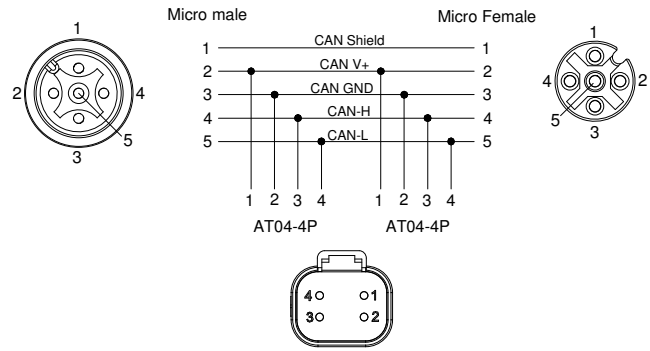
| REVISIONS |     |   |             |       |       |
|-----------|-----|---|-------------|-------|-------|
| REV       | ECO | DESCRIPTION                             | DATE        | BY    | APPR  |
| A1        | -   | FIRST RELEASE                           | Aug.11,2015 | Tod   | TOMMY |
| A2        | -   | Add The Angle For Micro Male And Female | Aug.18,2015 | Drack | TOMMY |



NOTES: UNLESS OTHERWISE SPECIFIED

- MATERIAL:
  - COUPLING NUT: PA66 UL94V-0
  - INSULATION INSERT: PA66,UL94 V0
  - SEAL: SILICON RUBBER
  - OVERMOLD MATERIAL: THERMOPLASTIC COLOR: BLACK
  - CONTACT: GOLD FLASH PLATING OVER COPPER ALLOY
- SPECIFICATIONS:
  - 2.1 CURRENT RATING: 4 AMPS
  - 2.2 VOLTAGE RATING: 60V AC/DC
  - 2.3 OPERATING TEMPERATURE: -20°C TO +130°C
  - 2.4 DIELECTRIC WITHSTANDING VOLTAGE: LESS THAN 2 MILLIAMPS CURRENT LEAKAGE @ 1000 VOLTS AC.
  - 2.5 DEGREE OF PROTECTION: IP67 ( MATED CONDITION )
  - 2.6 DEGREE OF POLLUTION: 3 PER UL840
  - 2.7 OVERVOLTAGE CATEGORY: III PER UL840
  - 2.8 MATING CYCLE DURABILITY: >100 CYCLES
  - 2.9 RoHS COMPLIANT
- ALL DIMENSIONS ARE FOR REFERENCE USE ONLY.

Wire diagram



| SEE PART NUMBER CHART  |  | QUANTITY   | PART NUMBER | DESCRIPTION   | ITEM         |
|--|--|--|-------------|---|--------------|
| <b>MATERIALS LIST</b>  |  |  |             |   |              |
| UNLESS OTHERWISE SPECIFIED<br>1) All dimensions are in metric(mm).<br>2) Tolerances are as follows:<br>1 PL DEC ±0.30 Fractions ±1/64<br>2 PL DEC ±0.15 Angles ±1°<br>3 PL DEC ±0.08 |  | SIGNATURES<br>DRAWN: Drack<br>CHECKED:<br>ENGINEER:<br>APPROVAL:   |             | DATE<br>Aug.18,2015   |              |
| MATERIAL SPECIFICATIONS:   |  | CUSTOMER:  |             | <h1 style="margin: 0;">Amphenol</h1> <p style="margin: 0;">Sine Systems - www.amphenol-sine.com<br/>44724 Morley Drive<br/>Clinton Township, MI 48036</p> <p style="margin: 0;">A series, NMEA 2000 Multi-Hub Adapter</p> |              |
| PROCESS SPECIFICATIONS:  |  | THIS DRAWING IS SUPPLIED FOR INFORMATION ONLY. DESIGN FEATURES, SPECIFICATIONS AND PERFORMANCE DATA SHOWN HEREON ARE THE PROPERTY OF THE AMPHENOL CORPORATION. NO RIGHTS OF REPRODUCTION ARE IMPLIED. ALL DIMENSIONS ARE SUBJECT TO NORMAL MANUFACTURING VARIATIONS. |             |   |              |
| NEXT ASSY:   |  | SIZE   | B C-        | DWG NO:   | AM-N04PX2-HA |
|  |  | SCALE:   | NONE        | REVISION  | A2           |
|  |  |  |             | SHEET   | 1 OF 1       |

TITLE: A series, NMEA 2000 Multi-Hub Adapter DWG NO: AM-N04PX2-HA REV: A2 SH: 1 OF: 1