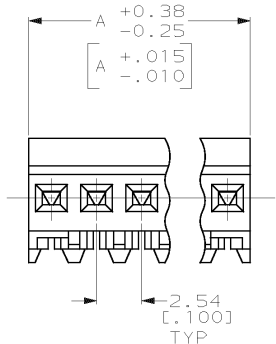
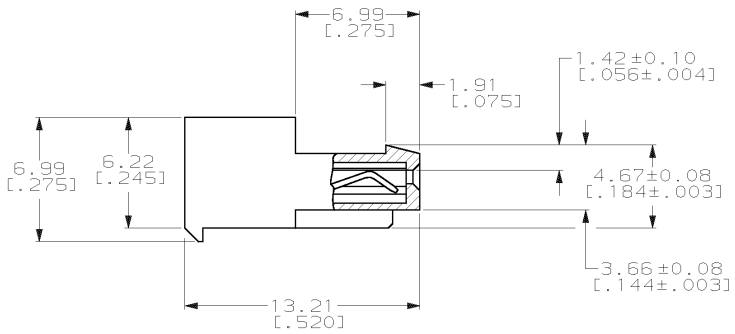
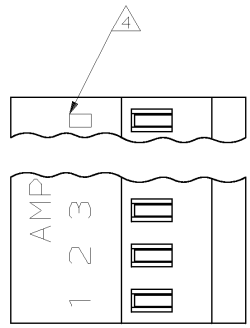


DRAWING MADE IN THIRD ANGLE PROJECTION

THIS DRAWING IS UNPUBLISHED. RELEASED FOR PUBLICATION .19
 © COPYRIGHT 19 BY AMP INCORPORATED. ALL INTERNATIONAL RIGHTS RESERVED.

LOC	DIST	P	F	ZONE	LTR	REVISIONS	DATE	APPD
CM	54					B RLSD -2 PER EC OL30-0171-97	9-8-97	JH RS



- 1 MATERIAL: CONNECTOR - NYLON UL94V-2 (YELLOW).
CONTACTS - 0.30[.012] THICK COPPER ALLOY
(BRIGHT-TIN 0.00203
[.000080] MIN THK)
- 2. CONTACTS ACCEPT 26 AWG WIRE WITH 1.52[.060] MAX INSULATION DIAMETER.
- 3. CONTACTS MUST ACCEPT 0.64±0.03[.025±.001] SQUARE POST AND REMAIN LOCKED IN POSITION.
- 4 IDENTIFICATION NUMBER FOR LAST CIRCUIT MAY NOT APPEAR ON ALL ASSEMBLIES.
- 5. DIMENSIONS IN BRACKETS ARE IN INCHES.
- 6. HOUSING FEATURES ARE: CLOSED END WITH LOCKING RAMP.

DIM A	NO OF CIRCUITS	PART NO
15.24 [.600]	6	647055-6
10.16 [.400]	4	647055-4
5.08 [.200]	2	647055-2

DO NOT SCALE PRINT. UNLESS SPECIFIED DIMENSIONS IN mm [INCHES] TOLERANCES ON : 2 PLC DEC ± - 3 PLC DEC ± 0.13 (.005) ANGLES ± -	DR B. LEWIS 9-23-96	AMP Incorporated Harrisburg, PA 17105-3608
MATERIAL △	CHK R. SWING 9-23-96	
FINISH △	APPD C. JONES 9-23-96	NAME MTA-100 CONNECTOR ASSEMBLY, 26 AWG, SPECIAL
	APPD C. JONES 9-23-96	SIZE C 00779
	PRODUCT SPEC 108-1050	DRAWING NO 647055
	APPLICATION SPEC 114-1019	SCALE 5:1
	WEIGHT -	SHEET 1 OF 1

METRIC

AMP BUSINESS GROUP 3323 177-34 "NICK GANNON"

647055