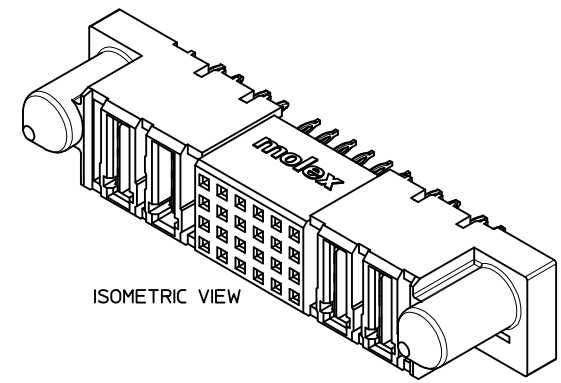
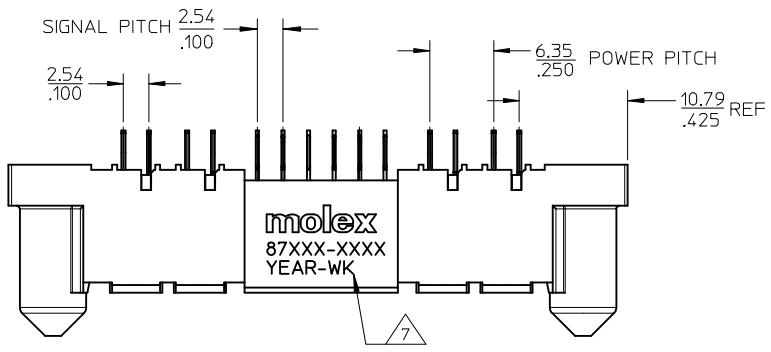


10 9 8 7 6 5 4 3 2 1

F

F



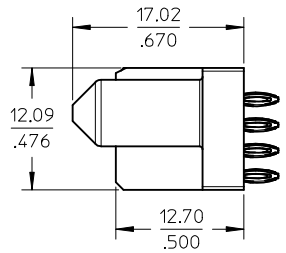
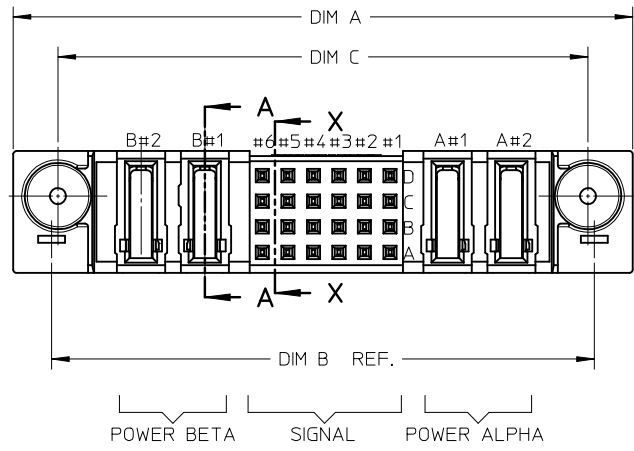
ISOMETRIC VIEW

E

E

D

D



C

C

B

B

A

A

REVISED EC NO: S2014-0060 DRWN:SKANG 2013/07/15 CHKD:MLONG 2013/09/06 APPR:MLONG 2013/09/09 D1	QUALITY SYMBOLS	GENERAL TOLERANCES (UNLESS SPECIFIED)		DIMENSION STYLE MM/IN		SCALE NTS	DESIGN UNITS METRIC	THIRD ANGLE PROJECTION
	$\nabla_F=0$	4 PLACES	± ---	± ---	DRAWN BY	DATE	TITLE	
	$\nabla_E=0$	3 PLACES	± ---	± ---	KMGOH	2002/09/12	DPS CONNECTOR RECEPTACLE P(B)-S-P(A) CONFIG. VERTICAL PRESS-FIT	
	$\nabla_D=0$	2 PLACES	± 0.13	± ---	CHECKED BY	DATE		
		1 PLACE	± 0.25	± ---	PTLIM	2002/11/21		
	0 PLACE	±	±	APPROVED BY	DATE	MATERIAL NO.	DOCUMENT NO.	SHEET NO.
		ANGULAR ± 3 °		SKTOH	2002/11/21	SEE TABLE	SD-87695-011	1 OF 3
		DRAFT WHERE APPLICABLE MUST REMAIN WITHIN DIMENSIONS		THIS DRAWING CONTAINS INFORMATION THAT IS PROPRIETARY TO MOLEX INCORPORATED AND SHOULD NOT BE USED WITHOUT WRITTEN PERMISSION				

9 8 7 6 5 4 3 2 1

10 9 8 7 6 5 4 3 2 1

F

E

D

C

B

A

F

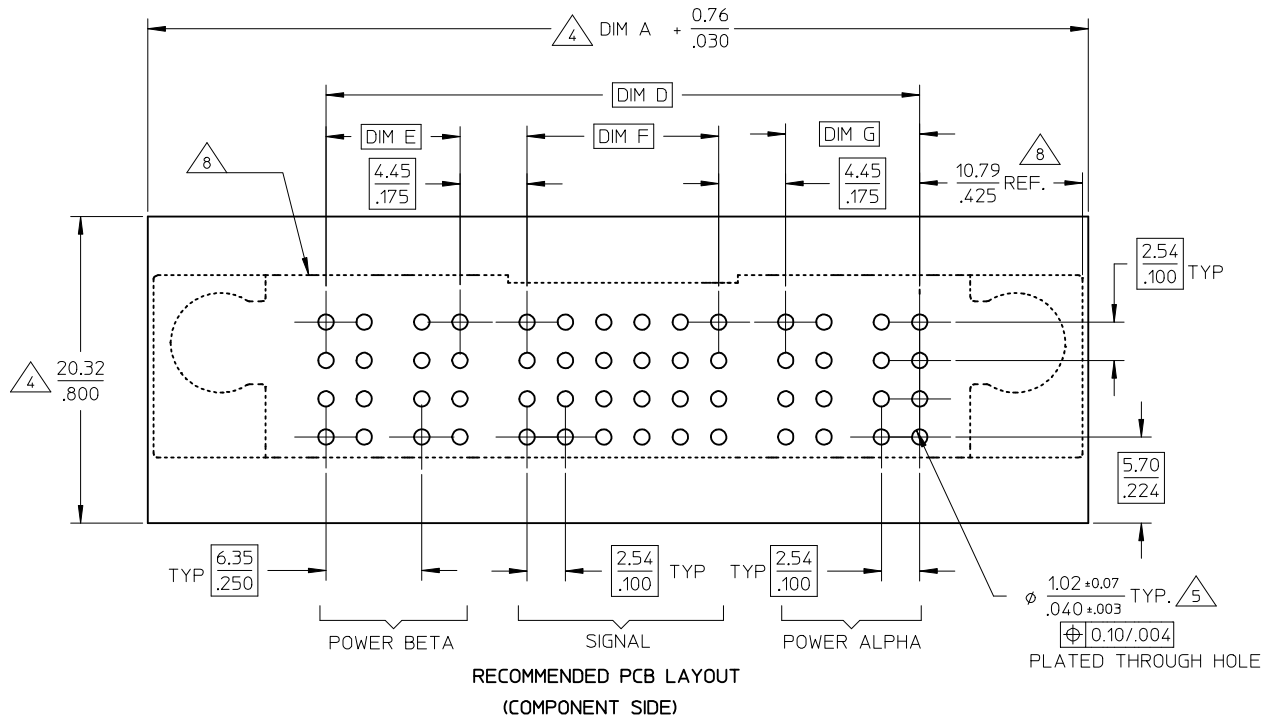
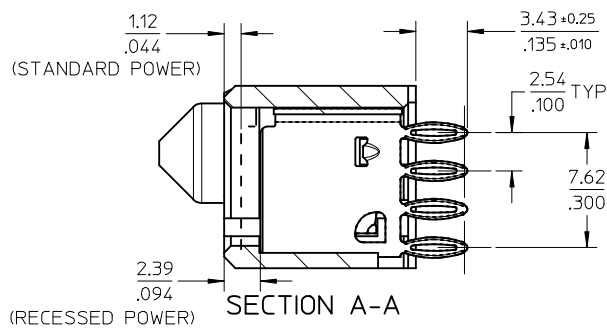
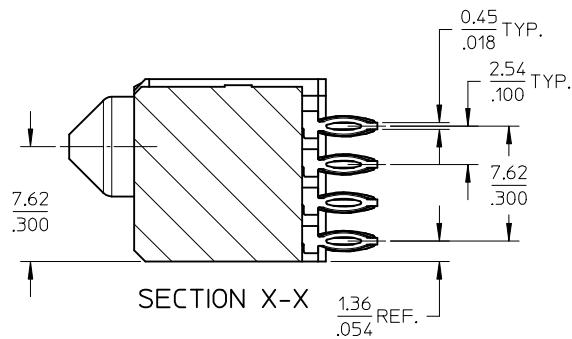
E

D

C

B

A



REVISED EC NO: S2014-0060 DRWN:SKANG 2013/07/15 CHKD:MLONG 2013/09/06 APPR:MLONG 2013/09/09	DESCRIPTION REV	QUALITY SYMBOLS $F_A=0$ $F_C=0$ $F_P=0$		GENERAL TOLERANCES (UNLESS SPECIFIED)		DIMENSION STYLE MM/IN		SCALE NTS	DESIGN UNITS METRIC	THIRD ANGLE PROJECTION	
				4 PLACES ± --- ± --- 3 PLACES ± --- ± --- 2 PLACES ± 0.13 ± --- 1 PLACE ± 0.25 ± --- 0 PLACE ± ±	mm INCH ± --- ± --- ± 0.13 ± --- ± 0.25 ± --- ± ±	DRAWN BY KMG0H	DATE 2002/09/12	TITLE DPS CONNECTOR RECEPTACLE P(B)-S-P(A) CONFIG. VERTICAL PRESS-FIT			
				ANGULAR ± 3 ° DRAFT WHERE APPLICABLE MUST REMAIN WITHIN DIMENSIONS		CHECKED BY PTLIM	DATE 2002/11/21	molex			
		D1				APPROVED BY SKTOH	DATE 2002/11/21	MATERIAL NO. SEE TABLE	DOCUMENT NO. SD-87695-011	SHEET NO. 2 OF 3	

9 8 7 6 5 4 3 2 1

10	9			8	7			6			5	4	3	2	1
	PART NUMBER	P-S-P CONFIGURATION POWER BETA	SIGNAL		POWER ALPHA	RECESSED POWER CIRCUIT	DIM A	DIM B	DIM C	DIM D					
F	87695-1001	1	24	1	NIL	$\frac{48.90}{1.925}$	$\frac{41.28}{1.625}$	$\frac{40.01}{1.575}$	$\frac{26.67}{1.050}$	$\frac{2.54}{.100}$	$\frac{12.70}{.500}$	$\frac{2.54}{.100}$	TRAY		
	87695-1007	1	24	1	B#1	$\frac{48.90}{1.925}$	$\frac{41.28}{1.625}$	$\frac{40.01}{1.575}$	$\frac{26.67}{1.050}$	$\frac{2.54}{.100}$	$\frac{12.70}{.500}$	$\frac{2.54}{.100}$	TRAY		
	87695-1008	1	24	1	A#1	$\frac{48.90}{1.925}$	$\frac{41.28}{1.625}$	$\frac{40.01}{1.575}$	$\frac{26.67}{1.050}$	$\frac{2.54}{.100}$	$\frac{12.70}{.500}$	$\frac{2.54}{.100}$	TRAY		

CONNECTOR - NOTES

1. MATERIALS :

HOUSING - HIGH TEMPERATURE THERMO-PLASTIC,  
GLASS FILLED, UL94-0,COLOR:BLACK.

POWER PIN - COPPER ALLOY

2. PLATING :

POWER CONTACTS

0.76 MICROMETER MINIMUM GOLD (Au) AT CONTACT AREA AND

2.54 MICROMETER MINIMUM TIN AT SOLDER TAIL AREA

OVER 1.27um MIN. NICKEL (Ni) UNDERPLATE.

3. PRODUCT SPECIFICATION: PS-87695-006.

4. COMPONENT STAY AWAY ZONE FROM CONNECTOR.

5. PCB NOTE FOR DIAMETER 1.02/.040 PLATED HOLE.

- DRILLED HOLE SIZE IS 1.151/.0453

- PLATE WITH 0.007/.0003 MINIMUM TIN OVER 0.03/.001


TO 0.08/.003 COPPER PLATING TO ACHIEVE 1.02+0.08/.040+.003 HOLE.

SEE SHEET 2 FOR RECOMMENDED PCB LAYOUT.

6. 2P(B)-24S-2P(A) CONFIGURATION IS SHOWN FOR ILLUSTRATION ONLY.

7. MANUFACTURER LOGO, PART NUMBER AND YEAR-WEEK CODE.

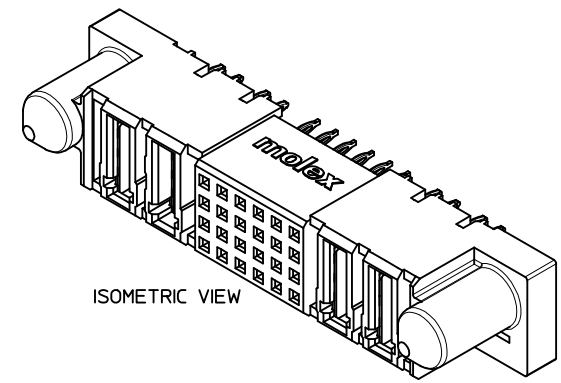
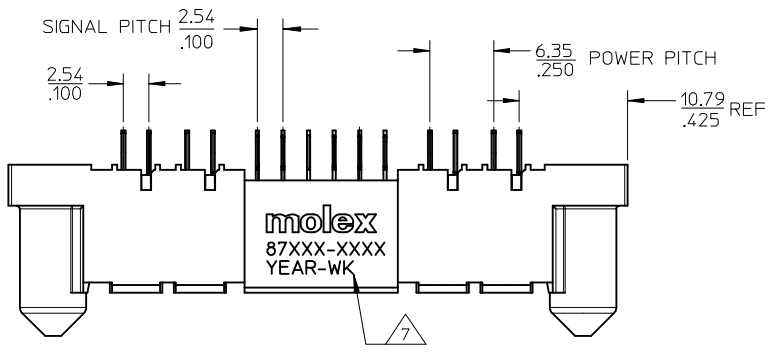
8. IMAGINARY LINE & DIMENSION TO POSITION AND PROVIDE  
CONNECTOR ORIENTATION W.R.T. TO PCB LAYOUT.

REVISED EC NO: S2014-0060 DRWN:SKANG 2013/07/15 CHKD:MLONG 2013/09/06 APPR:MLONG 2013/09/09	DESCRIPTION QUALITY SYMBOLS $\nabla_A=0$ $\nabla_G=0$ $\nabla_P=0$	GENERAL TOLERANCES (UNLESS SPECIFIED)		DIMENSION STYLE MM/IN		SCALE NTS	DESIGN UNITS METRIC	THIRD ANGLE PROJECTION		
			mm	INCH	DRAWN BY	DATE	TITLE			
		4 PLACES	± ---	± ---	KMGOH	2002/09/12	DPS CONNECTOR RECEPTACLE P(B)-S-P(A) CONFIG. VERTICAL PRESS-FIT			
		3 PLACES	± ---	± ---	CHECKED BY	DATE				
2 PLACES	± 0.13	± ---	PTLIM	2002/11/21	 DOCUMENT NO. SD-87695-011 SHEET NO. 3 OF 3					
1 PLACE	± 0.25	± ---	APPROVED BY	DATE						
0 PLACE	±	±	SKTOH	2002/11/21	MATERIAL NO. SEE TABLE					
ANGULAR ± 3 °		DRAFT WHERE APPLICABLE MUST REMAIN WITHIN DIMENSIONS		SIZE A3		THIS DRAWING CONTAINS INFORMATION THAT IS PROPRIETARY TO MOLEX INCORPORATED AND SHOULD NOT BE USED WITHOUT WRITTEN PERMISSION				

10 9 8 7 6 5 4 3 2 1

F

F



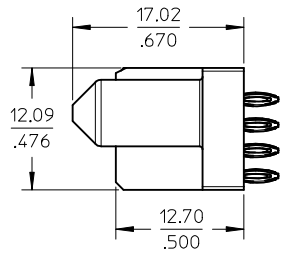
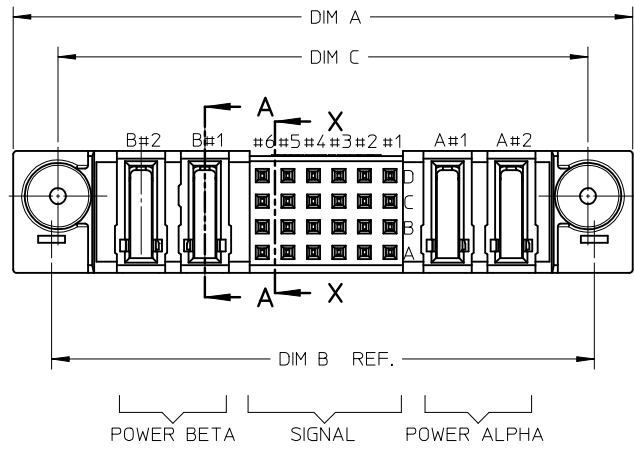
ISOMETRIC VIEW

E

E

D

D



C

C

B

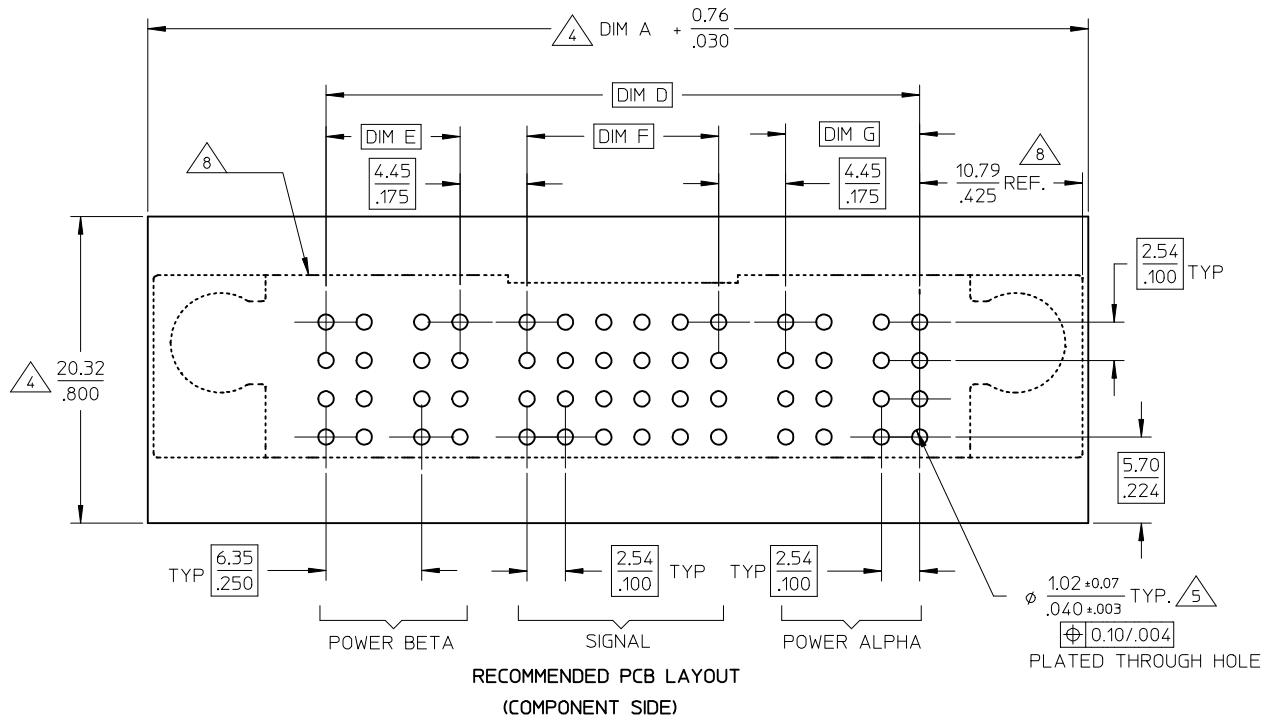
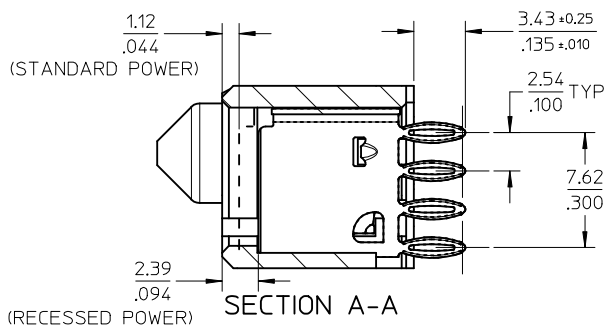
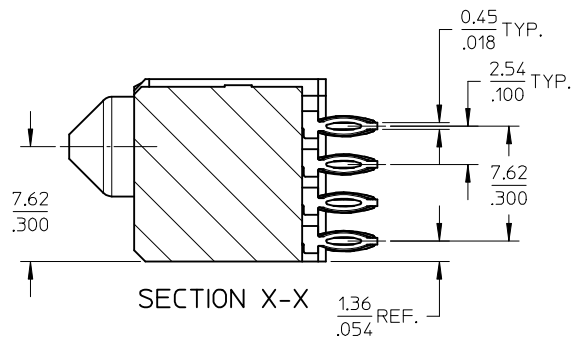
B

A

A

REVISED EC NO: S2014-0060 DRWN:SKANG 2013/07/15 CHKD:MLONG 2013/09/06 APPR:MLONG 2013/09/09	QUALITY SYMBOLS	GENERAL TOLERANCES (UNLESS SPECIFIED)		DIMENSION STYLE MM/IN	SCALE NTS	DESIGN UNITS METRIC	THIRD ANGLE PROJECTION
	$\nabla_F=0$	4 PLACES	mm	INCH	DRAWN BY KMG0H	DATE 2002/09/12	TITLE DPS CONNECTOR RECEPTACLE P(B)-S-P(A) CONFIG. VERTICAL PRESS-FIT  <b>moLEX</b> DOCUMENT NO. SD-87695-011 SHEET NO. 1 OF 3
	$\nabla_E=0$	3 PLACES	± ---	± ---	CHECKED BY PTLIM	DATE 2002/11/21	
	$\nabla_D=0$	2 PLACES	± 0.13	± ---	APPROVED BY SKTOH	DATE 2002/11/21	
		1 PLACE	± 0.25	± ---	MATERIAL NO.		
	0 PLACE	±	±	SEE TABLE			
D1	DESCRIPTION	ANGULAR ± 3 °		THIS DRAWING CONTAINS INFORMATION THAT IS PROPRIETARY TO MOLEX INCORPORATED AND SHOULD NOT BE USED WITHOUT WRITTEN PERMISSION			
		DRAFT WHERE APPLICABLE MUST REMAIN WITHIN DIMENSIONS					

9 8 7 6 5 4 3 2 1



REVISED EC NO: S2014-0060 DRWN:SKANG CHKD:MLONG APPR:MLONG	REV DESCRIPTION	QUALITY SYMBOLS $F_A=0$ $F_C=0$ $F_P=0$	GENERAL TOLERANCES (UNLESS SPECIFIED)		DIMENSION STYLE MM/IN		SCALE NTS	DESIGN UNITS METRIC	THIRD ANGLE PROJECTION		
				mm	INCH	DRAWN BY KMG0H	DATE 2002/09/12	TITLE DPS CONNECTOR RECEPTACLE P(B)-S-P(A) CONFIG. VERTICAL PRESS-FIT			
			4 PLACES	± ---	± ---	CHECKED BY PTLIM	DATE 2002/11/21	molex			
			3 PLACES	± ---	± ---	APPROVED BY SKTOH	DATE 2002/11/21				
DRAFT WHERE APPLICABLE MUST REMAIN WITHIN DIMENSIONS			ANGULAR ± 3°		SEE TABLE		SD-87695-011		2 OF 3		

10	9			8	7			6			5	4	3	2	1
	PART NUMBER	P-S-P CONFIGURATION POWER BETA	SIGNAL		POWER ALPHA	RECESSED POWER CIRCUIT	DIM A	DIM B	DIM C	DIM D					
F	87695-1001	1	24	1	NIL	$\frac{48.90}{1.925}$	$\frac{41.28}{1.625}$	$\frac{40.01}{1.575}$	$\frac{26.67}{1.050}$	$\frac{2.54}{.100}$	$\frac{12.70}{.500}$	$\frac{2.54}{.100}$	TRAY		
	87695-1007	1	24	1	B#1	$\frac{48.90}{1.925}$	$\frac{41.28}{1.625}$	$\frac{40.01}{1.575}$	$\frac{26.67}{1.050}$	$\frac{2.54}{.100}$	$\frac{12.70}{.500}$	$\frac{2.54}{.100}$	TRAY		
	87695-1008	1	24	1	A#1	$\frac{48.90}{1.925}$	$\frac{41.28}{1.625}$	$\frac{40.01}{1.575}$	$\frac{26.67}{1.050}$	$\frac{2.54}{.100}$	$\frac{12.70}{.500}$	$\frac{2.54}{.100}$	TRAY		

CONNECTOR - NOTES

1. MATERIALS :

HOUSING - HIGH TEMPERATURE THERMO-PLASTIC,  
GLASS FILLED, UL94-0,COLOR:BLACK.

POWER PIN - COPPER ALLOY

2. PLATING :

POWER CONTACTS

0.76 MICROMETER MINIMUM GOLD (Au) AT CONTACT AREA AND

2.54 MICROMETER MINIMUM TIN AT SOLDER TAIL AREA

OVER 1.27um MIN. NICKEL (Ni) UNDERPLATE.

3. PRODUCT SPECIFICATION: PS-87695-006.

4. COMPONENT STAY AWAY ZONE FROM CONNECTOR.

5. PCB NOTE FOR DIAMETER 1.02/.040 PLATED HOLE.

- DRILLED HOLE SIZE IS 1.151/.0453

- PLATE WITH 0.007/.0003 MINIMUM TIN OVER 0.03/.001

TO 0.08/.003 COPPER PLATING TO ACHIEVE 1.02+0.08/.040+.003 HOLE.


SEE SHEET 2 FOR RECOMMENDED PCB LAYOUT.

6. 2P(B)-24S-2P(A) CONFIGURATION IS SHOWN FOR ILLUSTRATION ONLY.

7. MANUFACTURER LOGO, PART NUMBER AND YEAR-WEEK CODE.

8. IMAGINARY LINE & DIMENSION TO POSITION AND PROVIDE

CONNECTOR ORIENTATION W.R.T. TO PCB LAYOUT.

REVISED EC NO: S2014-0060 DRWN:SKANG 2013/07/15 CHKD:MLONG 2013/09/06 APPR:MLONG 2013/09/09	DESCRIPTION QUALITY SYMBOLS $\nabla_A=0$ $\nabla_G=0$ $\nabla_P=0$	GENERAL TOLERANCES (UNLESS SPECIFIED)		DIMENSION STYLE MM/IN		SCALE NTS	DESIGN UNITS METRIC	THIRD ANGLE PROJECTION		
			mm	INCH	DRAWN BY KMG0H	DATE 2002/09/12	TITLE DPS CONNECTOR RECEPTACLE P(B)-S-P(A) CONFIG. VERTICAL PRESS-FIT			
		4 PLACES	± ---	± ---	CHECKED BY PTLIM	DATE 2002/11/21	 DOCUMENT NO. SD-87695-011 SHEET NO. 3 OF 3			
		3 PLACES	± ---	± ---	APPROVED BY SKTOH	DATE 2002/11/21				
2 PLACES	± 0.13	± ---	MATERIAL NO.		SEE TABLE					
1 PLACE	± 0.25	± ---	ANGULAR ± 3 °		THIS DRAWING CONTAINS INFORMATION THAT IS PROPRIETARY TO MOLEX INCORPORATED AND SHOULD NOT BE USED WITHOUT WRITTEN PERMISSION					
0 PLACE	±	±	DRAFT WHERE APPLICABLE MUST REMAIN WITHIN DIMENSIONS							
			SIZE A3							