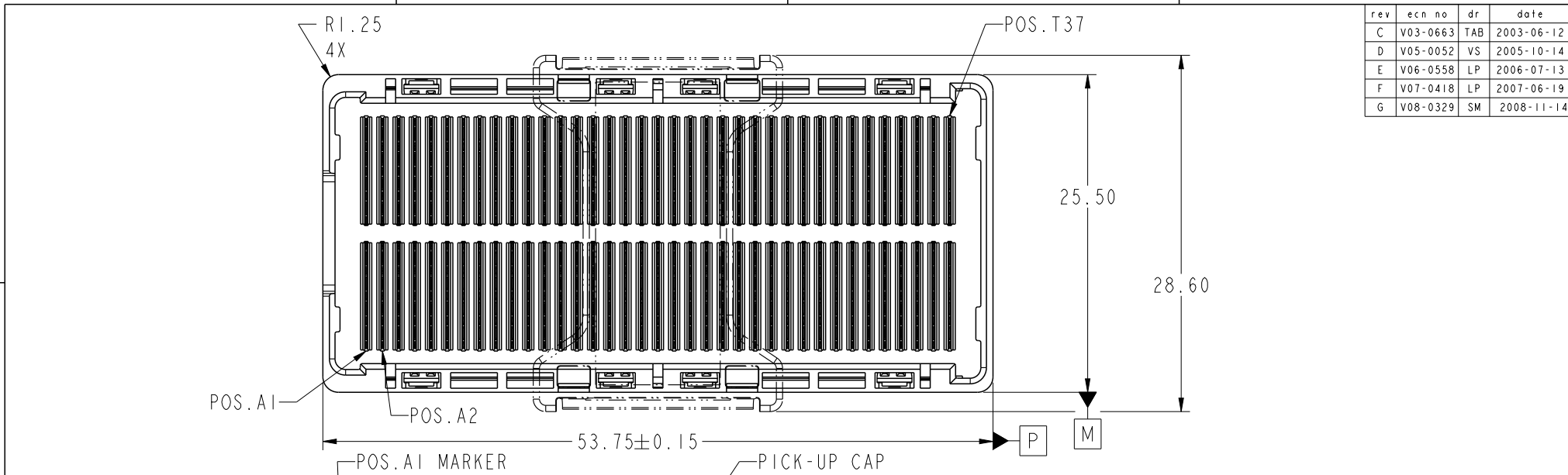


| rev | ecn no | dr | date |
|-----|----------|-----|------------|
| C | V03-0663 | TAB | 2003-06-12 |
| D | V05-0052 | VS | 2005-10-14 |
| E | V06-0558 | LP | 2006-07-13 |
| F | V07-0418 | LP | 2007-06-19 |
| G | V08-0329 | SM | 2008-11-14 |



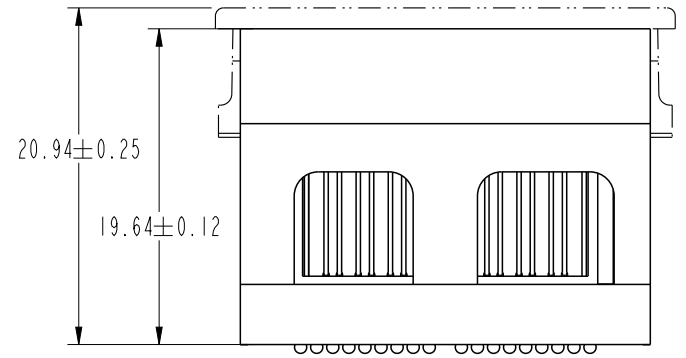
0.20

(0.55)

Ø0.76 SOLDER BALLS

⊕ Ø0.30 P M

666X
SEE NOTE 2



Copyright FCI.

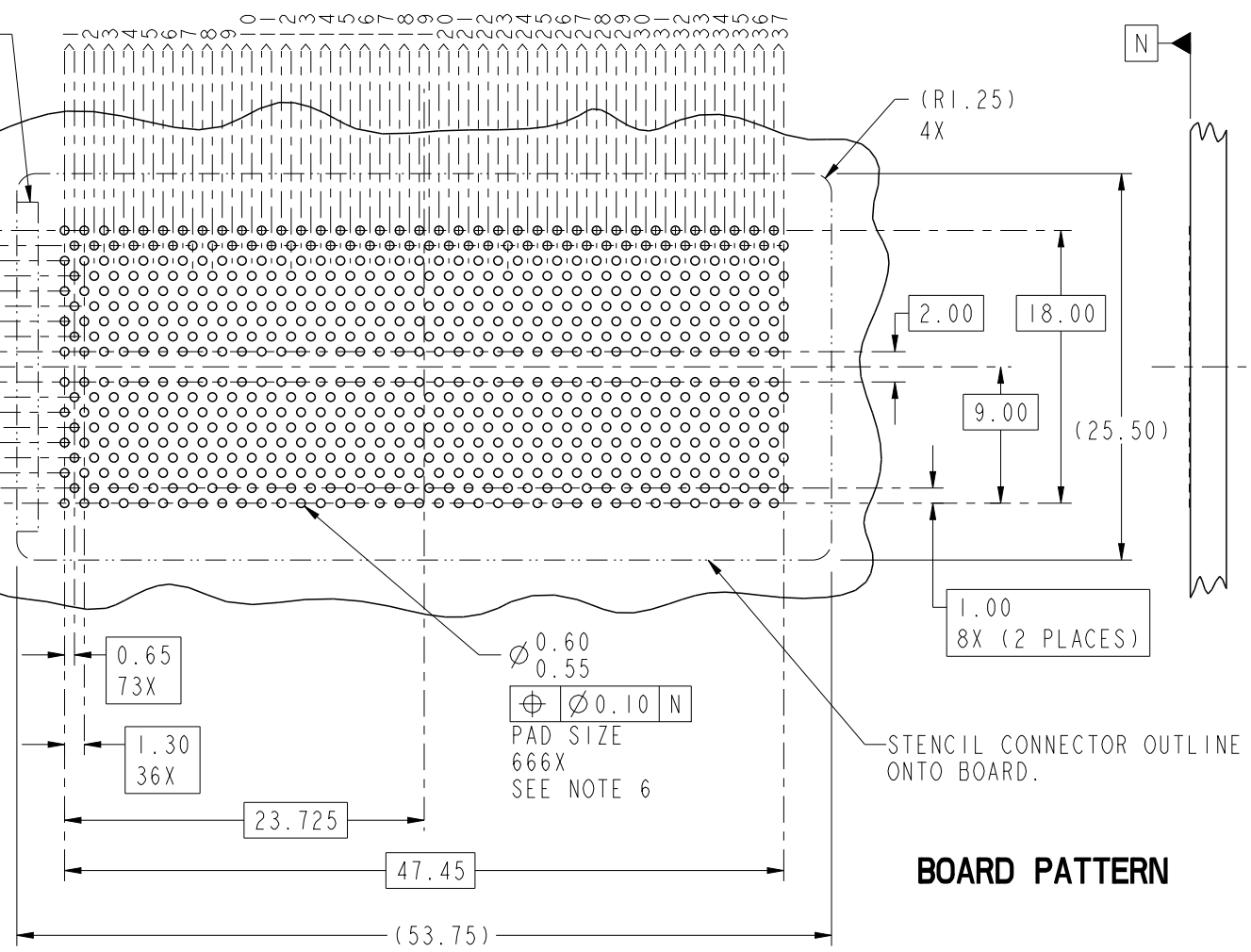
| | | | | | | | | | | | | |
|---------------------------------------|------------|-------|----------------|-------------|----------------|----------|------------------------|-----------------|--------|--------------|----------|---|
| spec ref | * | dr | Bill Lin | 2010/02/02 | projection | mm ←→ | size | A4 | scale | 1:1 | | |
| tolerance std | ASME Y14.5 | eng | Nickor Zuo | 2011/05/26 | | | ecn no | ELX-DG-003943-1 | | | | |
| TOLERANCES UNLESS OTHERWISE SPECIFIED | | chr | Alex Cao | 2011/06/24 | | | product family | GIG-Array | | rel level | Released | |
| surface | ✓ | appr | Pei-Ming Zheng | 2011/06/27 | title | | GIG-Array | | dwg no | 55727 | rev | H |
| | linear | 0.X | ±0.30 | www.fci.com | cat. no. | | Product - Customer Drw | | | sheet 1 of 5 | | |
| | | 0.XX | ±0.10 | | | | | | | | | |
| | | 0.XXX | ±0.05 | | | | | | | | | |
| | angular | 0° | ±2° | | | | | | | | | |

ProjE File - REV C - 2009-06-09

KEY ORIENTATION SILKSCREEN (OPTIONAL)

④ CONTACTS IN ROWS J & K ARE TIED TOGETHER (COMMONED)

SEE NOTES 4 & 5



BOARD PATTERN

| | | | | | | | | | | | | |
|---------------|---------------------------------------|-------------|----------------|------------|------------|------------------------|----------------|----|-----------------|-----|-----------|----------|
| spec ref | * | dr | Bill Lin | 2010/02/02 | projection | mm | size | A4 | scale | 1:1 | | |
| tolerance std | TOLERANCES UNLESS OTHERWISE SPECIFIED | eng | Nickor Zuo | 2011/05/26 | | | ecn no | | ELX-DG-003943-1 | | | |
| ASME Y14.5 | | chr | Alex Cao | 2011/06/24 | | | product family | | GIG-Array | | rel level | Released |
| - | | appr | Pei-Ming Zheng | 2011/06/27 | | | product family | | GIG-Array | | rel level | Released |
| surface | | linear | | title | | | dwg no | | rev | | | |
| - | | angular | | GIG-Array | | | 55727 | | H | | | |
| | | www.fci.com | | cat. no. | | Product - Customer Drw | | | sheet 2 of 5 | | | |

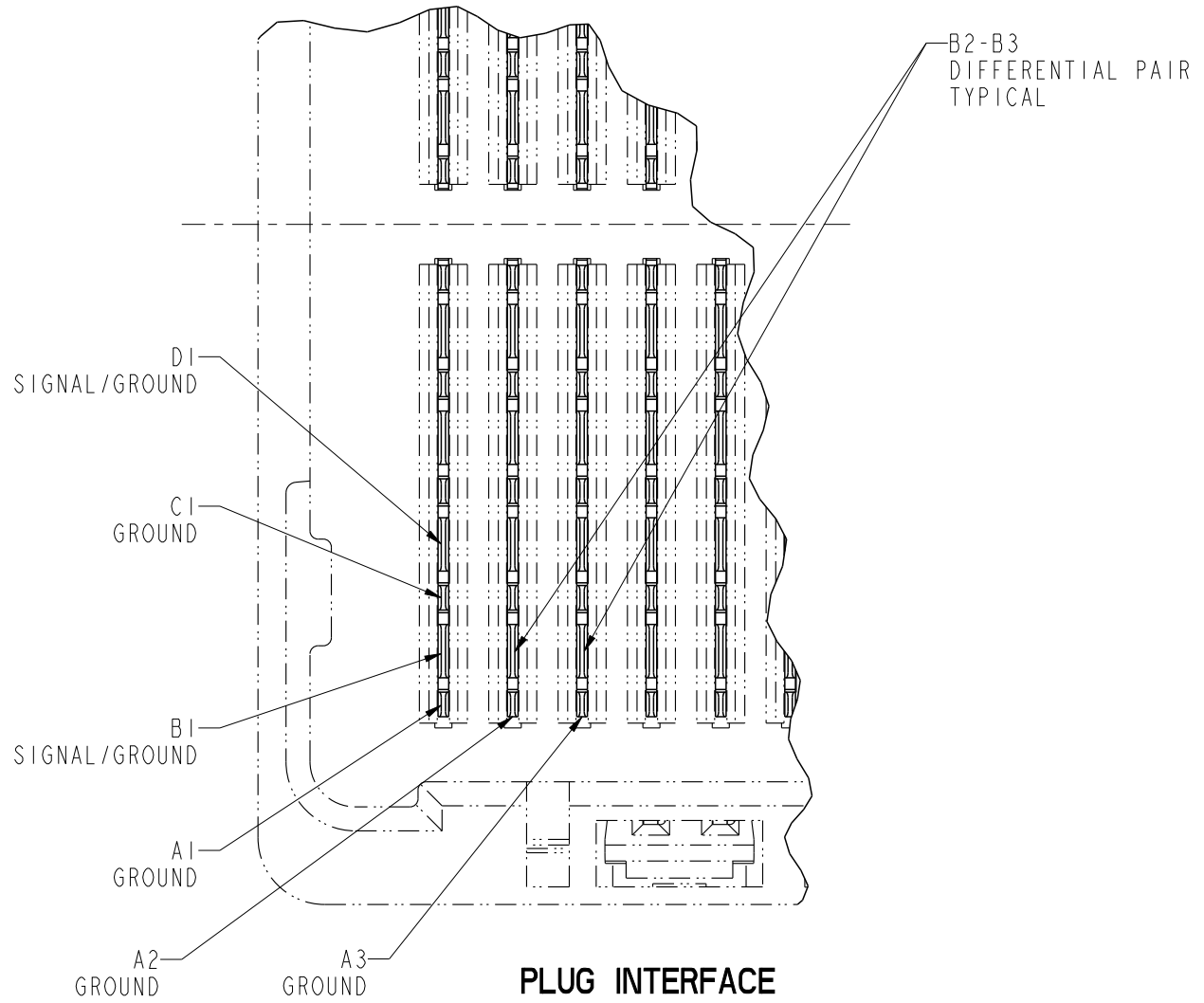
PrdE File - REV C - 2009-06-09



Copyright FCI.



Copyright FCI.

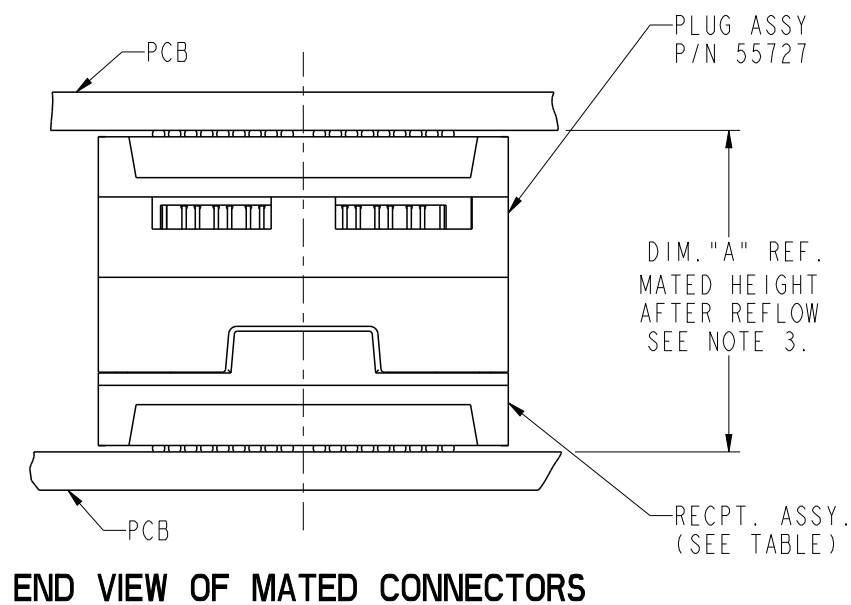
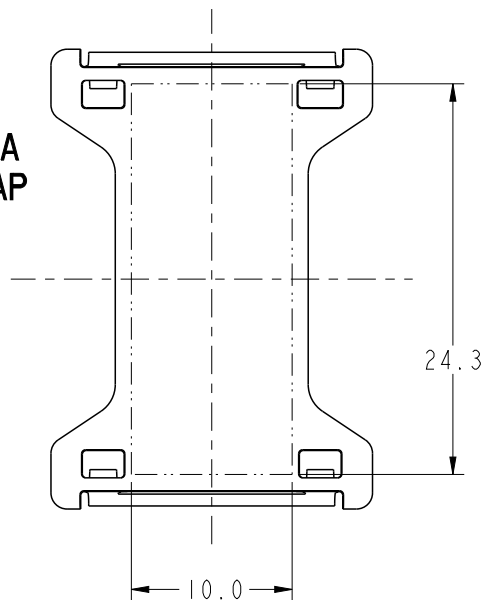


PLUG INTERFACE DESCRIPTION

| | | | | | | | | | | | |
|---------------|---------------------------------------|---------|----------------|------------|----------------|----------|-------------------------------|-----------------|--------------|-----------|----------|
| spec ref | * | dr | Bill Lin | 2010/02/02 | projection | mm ←→ | size | A4 | scale | 1:1 | |
| tolerance std | TOLERANCES UNLESS OTHERWISE SPECIFIED | eng | Nickor Zuo | 2011/05/26 | | | ecn no | ELX-DG-003943-1 | | | |
| ASME Y14.5 | | chr | Alex Cao | 2011/06/24 | | | | product family | GIG-Array | rel level | Released |
| - | | appr | Pei-Ming Zheng | 2011/06/27 | product family | | GIG-Array | rel level | Released | | |
| surface | ✓ | linear | 0.X | ±0.30 | | title | GIG-Array | | dwg no | 55727 | rev |
| - | | | 0.XX | ±0.10 | | | 20mm PLUG ASSY. 296 SIG. POS. | | | | |
| | | angular | 0° | ±2° | www.fci.com | cat. no. | Product - Customer Drw | | sheet 3 of 5 | | |

PrdE File - REV C - 2009-06-09

FLAT AREA
PICK-UP CAP



END VIEW OF MATED CONNECTORS

| DIM. "A" | RECPT. ASSY. P/N |
|----------|------------------|
| 25 | 55701 |
| 35 | 55733 |

| | | | | | | | | | | |
|---------------|---------------------------------------|-------------|----------------|------------|-------------------------------|-----------|------------------------|-----------------|--------------|-----|
| spec ref | * | dr | Bill Lin | 2010/02/02 | projection | mm | size | A4 | scale | 1:1 |
| tolerance std | TOLERANCES UNLESS OTHERWISE SPECIFIED | eng | Nickor Zuo | 2011/05/26 | | | ecn no | ELX-DG-003943-1 | | |
| ASME Y14.5 | | chr | Alex Cao | 2011/06/24 | | | | rel level | Released | |
| - | | appr | Pei-Ming Zheng | 2011/06/27 | product family | GIG-Array | | rev | H | |
| surface | linear | | | title | GIG-Array | | dwg no | 55727 | | |
| | | www.fci.com | | cat. no. | 20mm PLUG ASSY. 296 SIG. POS. | | Product - Customer Drw | | sheet 4 of 5 | |
| | angular | | | | | | | | | |

| | | |
|----------------|-------------------------|--|
| PRODUCT NUMBER | SOLDER BALL COMPOSITION | CONTACT PLATING PERFORMANCE LEVEL |
| 55727-001 | STANDARD (EUTECTIC) | PERFORMANCE-BASED PLATING, QUALIFIED TO MEET THE REQUIREMENTS OF FCI PRODUCT SPECIFICATION GS-12-192, INCLUDING TELCORDIA CENTRAL OFFICE |
| 55727-001LF | LEADFREE | |

NOTES:

- ① MATERIAL:
HOUSING: LCP
CONTACT: COPPER ALLOY
PLATING (CONTACT): SEE TABLE
UL RATING: 94 V-0
SOLDER BALL: (SEE TABLE) EUTECTIC SnPb OR LEADFREE 95.5 Sn/4Ag/0.5Cu
- ② SOLDER BALLS WILL NOT BE PERFECT SPHERICAL SHAPE DUE TO REFLOW ATTACHMENT.
- ③ MATED HEIGHT EFFECTED BY CUSTOMERS' PCB PAD SIZE, PLATING, SOLDER REFLOW PROFILE & SOLDER PASTE.
- ④ CONTACTS IN ROWS A,C,E,G,J,K,M,P,R AND T ARE SINGLE BEAM CONTACTS, TYPICALLY USED AS GROUND PINS. (NOTE: CONTACTS IN ROWS J & K ARE TIED TOGETHER [COMMONED])
- ⑤ CONTACTS IN ROWS B,D,F,H,L,N,Q AND S ARE DUAL BEAM CONTACTS, TYPICALLY USED AS SIGNAL PINS.
- ⑥ SPECIFIED POSITIONAL TOLERANCE DEFINES PAD TO PAD LOCATION WITHIN LAND PATTERN. POSITIONAL TOLERANCE OF LAND PATTERN TO FUDICIAL MARKS OR PCB DATUMS SHALL BE DEFINED BY CUSTOMER. FOR RECOMMENDED PRODUCT APPLICATION AND PCB DESIGN DETAILS, SEE DOC. NO. GS-20-016.
- ⑦ FOR PROPER APPLICATION FOLLOW FCI APPLICATION SPECIFICATION GS-20-033 LEADFREE SOLDER BALLS WILL NOT SOLDER PROPERLY IN A LEADED SOLDER PROCESS DUE TO A HIGHER REFLOW TEMPERATURE, LEADFREE PRODUCT IS THEREFORE NOT BACKWARDS COMPATIBLE WITH LEADED OR SOME SOLDERING APPLICATIONS. REFERENCE FCI APPLICATION SPECIFICATION.
- ⑧ THIS PRODUCT MEETS THE EUROPEAN UNION DIRECTIVES AND OTHER COUNTRY REGULATIONS AS DESCRIBED IN GS-22-008. PRODUCT MEETING WITH THIS DIRECTIVE IS IDENTIFIED IN THE LOT CODE NUMBER MARKED ON EACH PART BY HAVING AN "X" IN THE SEVENTH CHARACTER POSITION.



Copyright FCI.

| | | | | | | | | | | |
|---------------|---------------------------------------|--------|----------------|-------------|-------------|------------------------|--------------|-----------------|-------------------------------|-----------|
| spec ref | * | dr | Bill Lin | 2010/02/02 | projection | mm | size | A4 | scale | 1:1 |
| tolerance std | TOLERANCES UNLESS OTHERWISE SPECIFIED | eng | Nickor Zuo | 2011/05/26 | | | ecn no | ELX-DG-003943-1 | | |
| ASME Y14.5 | | chr | Alex Cao | 2011/06/24 | | | | product family | GIG-Array | rel level |
| - | | appr | Pei-Ming Zheng | 2011/06/27 | www.fci.com | title | GIG-Array | | | |
| surface | | linear | 0.X | ±0.30 | | | | FCI | 20mm PLUG ASSY. 296 SIG. POS. | dwg no |
| - | angular | 0° | ±2° | www.fci.com | cat. no. | Product - Customer Drw | sheet 5 of 5 | | | |