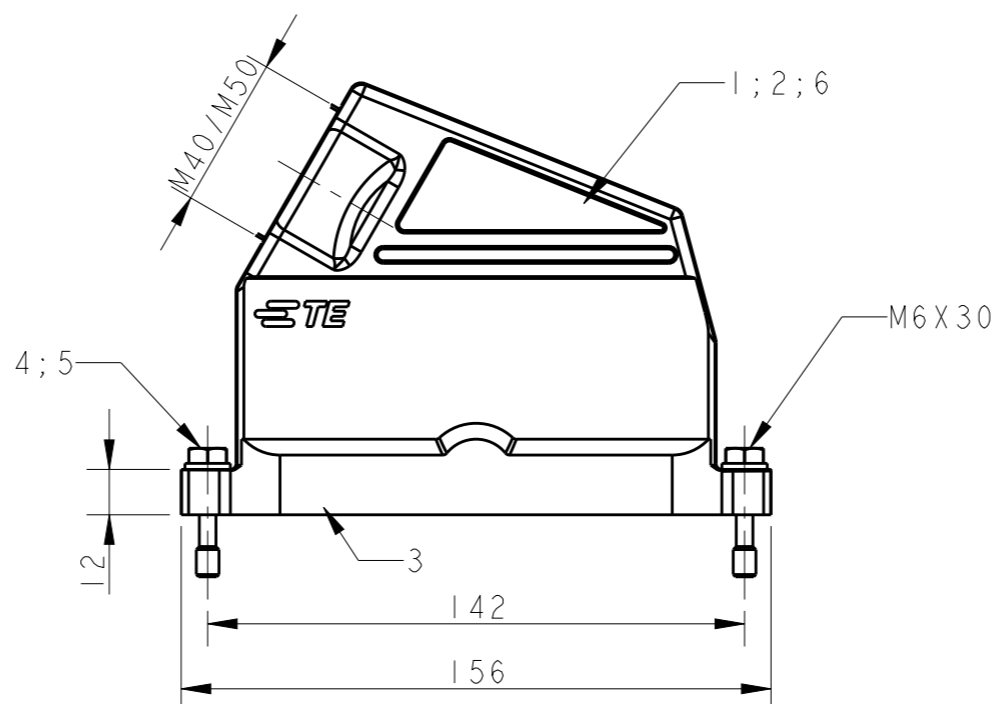
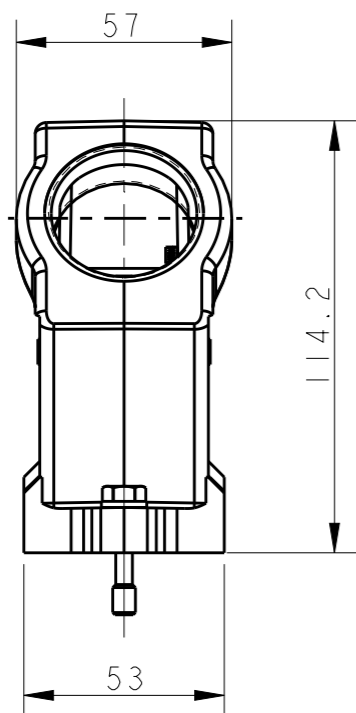


REVISIONS

P	LTR	DESCRIPTION	DATE	DWN	APVD
	A7	ECR-19-005562	08APR2019	SR	MKO
	A8	ECR-19-007635	14MAY2019	OY	JB



OBSOLETE

ITEM NO.	DESCRIPTION/BENENNUNG	MATERIAL	SURFACE/OBERFLÄCHE	COLOR/FARBE	ITEM NO.	REMARKS/BEMERKUNGEN
1	Steckergehäuse HIP-K/hood	ADC-12/Alu	Aluminium oxid	black/schwarz	6	
2	Scheiben/pane	V2A/stainl. steel	-	blank/blank	5	B6,4
2	Befestigungsschraube/fixing screw	V2A/stainl. steel	-	blank/blank	4	M6X30
1	Dichtung/seal	Neoprene	-	black/schwarz	3	-
	Steckergehäuse HIP-K/hood	ADC-12/Alu	Aluminium oxid	black/schwarz	2	
	Steckergehäuse HIP/hood	ADC-12/Alu	-	grey/grau	1	

Notes:

① Material:Housing:aluminum diecasting alloy
Seal:Neoprene

② Surface:Varnisch-grey
-aluminium oxid+
Varnisch black

③ Varnish on the inside not necessarily

Bemerkungen:

① Material:Gehäuse:Alu-Druckguß-Legierung
Dichtungen:Neoprene

② Oberfläche:Lackierung-grau
-Aluminium oxid+
Lackierung schwarz

③ Lackierung im Gehäuseinnere ist nicht notwendig

THIS DRAWING IS A CONTROLLED DOCUMENT.

DWN Schneider 08.11.02
CHK Schneider 08.11.02
APVD -

NAME: Hood size8
Steckergehäuse HIP-KF.24/64 STS.1.M40/50G

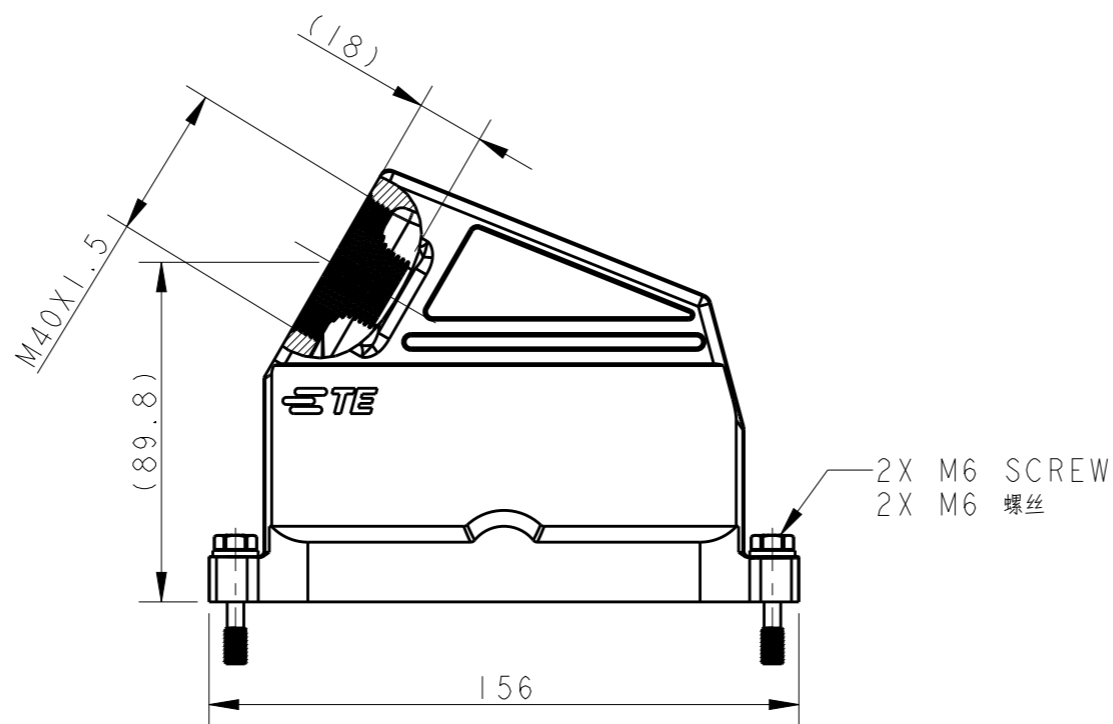
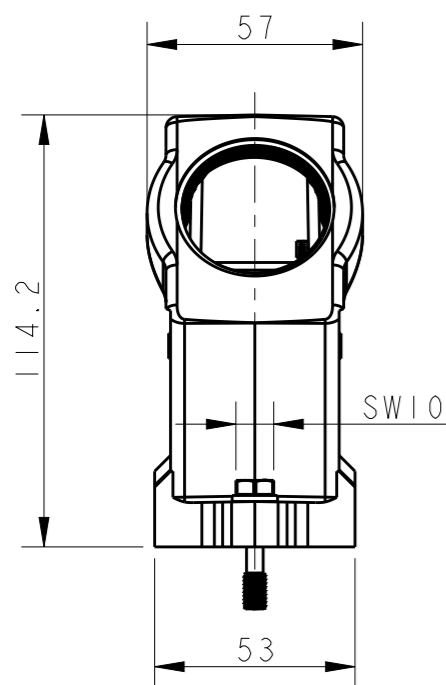
SIZE: A3 CAGE CODE: 00779 DRAWING NO: C-1106474 RESTRICTED TO: -

CUSTOMER DRAWING;RESTRICTED CUSTOMER SCALE: 1:2 SHEET: 1 OF 2 REV: A8

DIMENSIONS:		TOLERANCES UNLESS OTHERWISE SPECIFIED:	
mm			
	0 PLC	±:	
	1 PLC	±:	
	2 PLC	±:	
	3 PLC	±:	
	4 PLC	±:	
	ANGLES		±:
MATERIAL		FINISH	

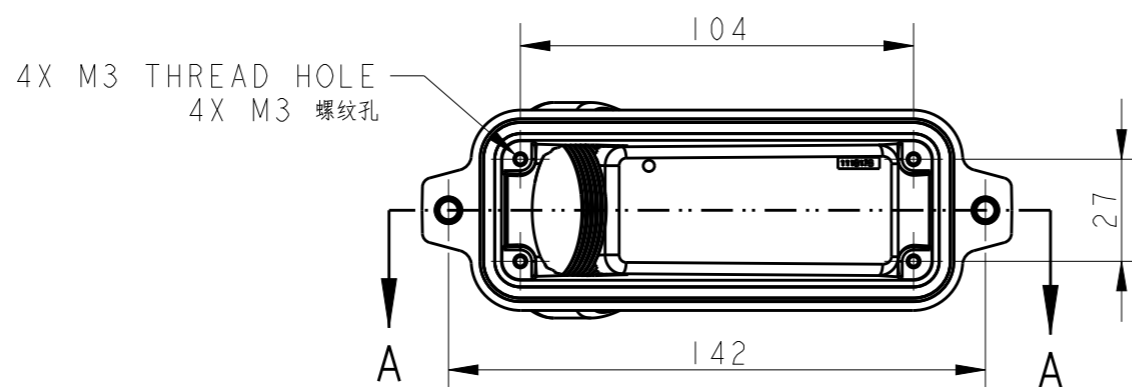
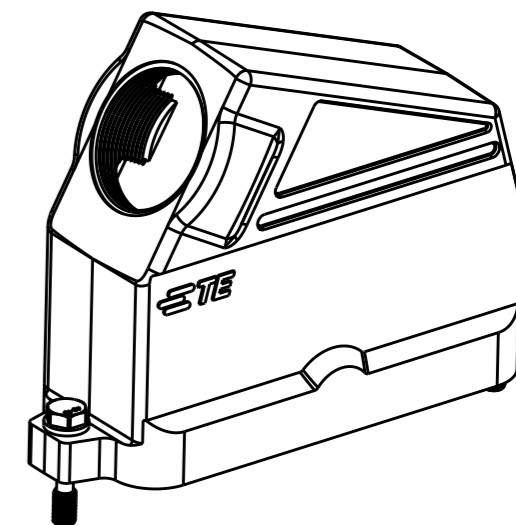
REVISIONS

P	LTR	DESCRIPTION	DATE	DWN	APVD
-	-	SEE SHEET 1	-	-	-




NOTES:
 1. TECHNICAL CHARACTERISTICS:
 HOOD MATERIAL: DIE CAST ALUMINIUM ALLOY
 SURFACE: SEE TABLE
 DEGREE OF PROTECTION: IP68 (MATED)

注释
 1. 技术参数:
 壳体材料: 铝合金
 表面处理: 见表格
 防护等级: IP68 (配合)



1106474-4	H24BPR-TSHWC-M40-HC	H24BPR WEDGE-SHAPE HOOD, CENTER LOCKING, SIDE ENTRY M40, HARD COAT, POWDER COATED, BLACK H24BPR楔形上壳, 中部锁定, 侧出M40, 硬质阳极氧化, 黑色粉末喷涂
PART NUMBER 料号	DESCRIPTION 描述	

THIS DRAWING IS A CONTROLLED DOCUMENT.		DWN QIANG YUAN 11MAY2019	 TE Connectivity	
DIMENSIONS: mm		CHK GINO YAO 11MAY2019		
TOLERANCES UNLESS OTHERWISE SPECIFIED:		APVD CHRIS WANG 11MAY2019	NAME H24BPR-TSHWC-PG/M-HC	
0 PLC ±-		PRODUCT SPEC 108-137417	SIZE	
1 PLC ±-		APPLICATION SPEC 114-137417	CAGE CODE	
2 PLC ±-		WEIGHT	DRAWING NO	
3 PLC ±-			RESTRICTED TO	
4 PLC ±-			A300779	
ANGLES ±-			C=1106474	
FINISH		CUSTOMER DRAWING; RESTRICTED CUSTOMER		SCALE 1:2
				SHEET 2 OF 2
				REV A8