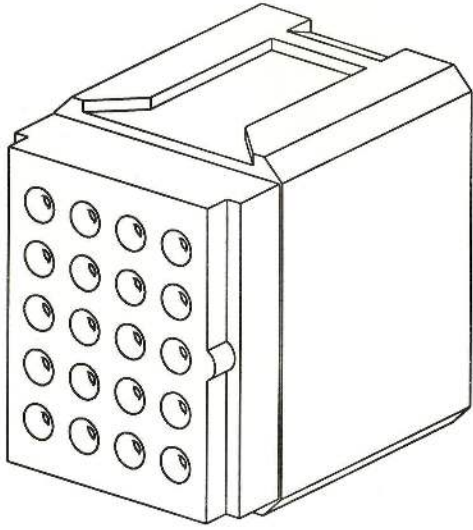


REV	ECN	APPD
M	5910	077 3/24/66

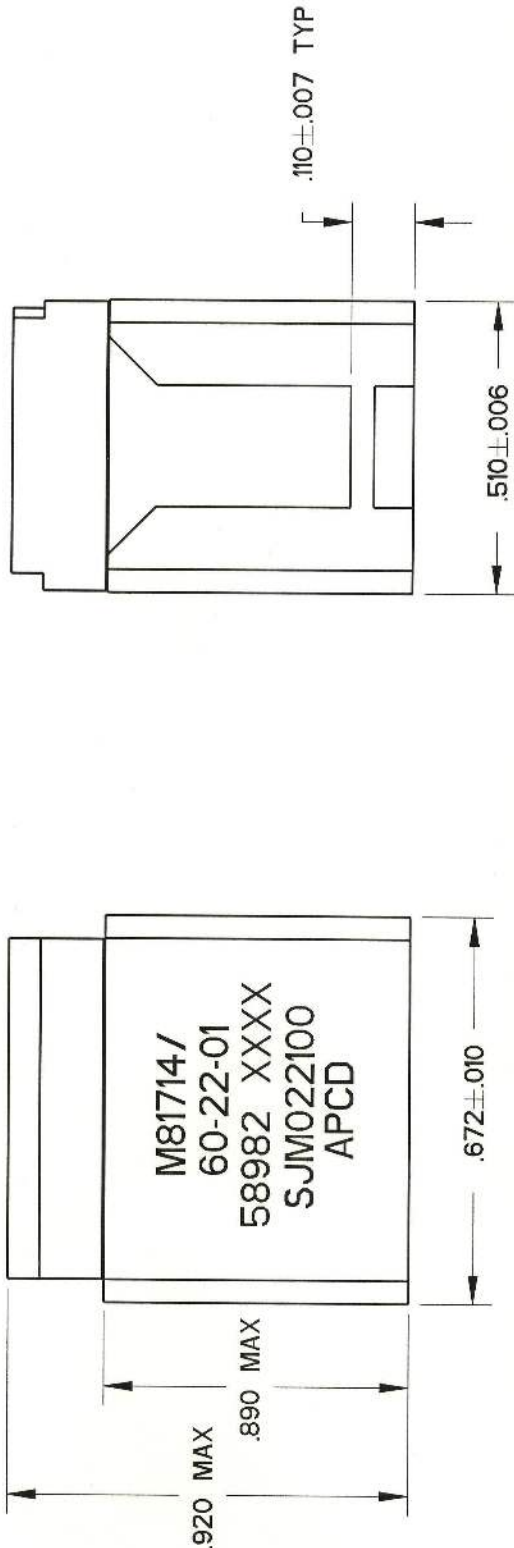
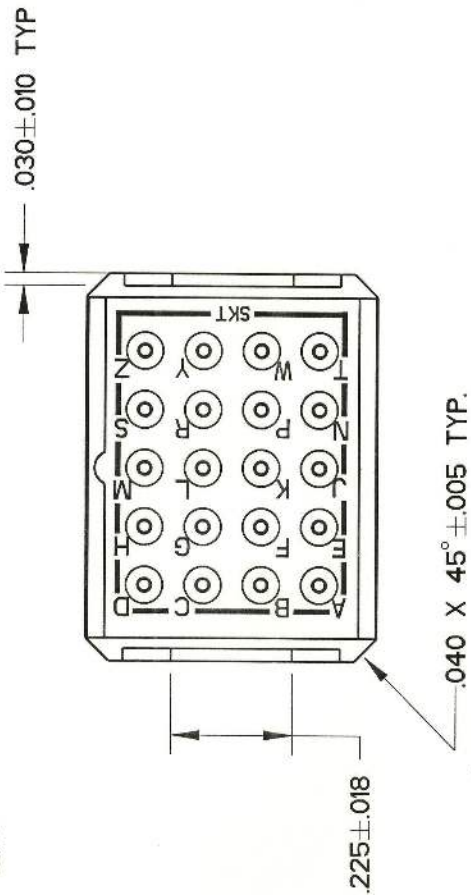


- NOTES:
- PART MEETS ALL REQUIREMENTS OF MIL-T-81714/60
 - MATERIALS:
GROMMET - SILICONE RUBBER PER A-A-59588
BODY - POLYETHERIMIDE PER ASTM-D-5205
INTERNAL CONTACT - BRASS PER ASTM-B16, GOLD PLATED PER SAE-AMS-2422
CONTACT RETAINER CLIPS - STAINLESS STEEL PER ASTM-A666
 - PART ACCEPTS M39029/22-191 SOCKET CONTACTS. SEE TABLE

APCD P/N	SUPPLIED		MARKING	
	SKTS	PLUGS	APCD PART NO.	MIL. NO.
SJM022100	21	2	SJM022100	M81714/60-22-01
SJM022101	-	-	-	-

TITLE	
Amphenol Pcd	SIZE
SPECIFICATION DRAWING	B
DRWN	DWG NO.
R. SWAINE	9/25/06
ENGR	<i>R. Swaine</i>
APPD	9/26/06
	<i>Paul T...</i>

DIMENSIONS	TOLERANCES	PROJECTION
ANSI Y14.5M	.XX ±0.01	
UNITS: INCHES	.XXX ±0.005	
Pro/E FILE	ANGLES ±2.0°	
ORIGINAL	THIS DOCUMENT CONTAINS PROPRIETARY INFORMATION WHICH IS THE CONFIDENTIAL PROPERTY OF AMPHENOL PCD INC., PEABODY, MA	



SOCKET JUNCTION MODULE
SIZE 22, ONE-BUS

SJM022100