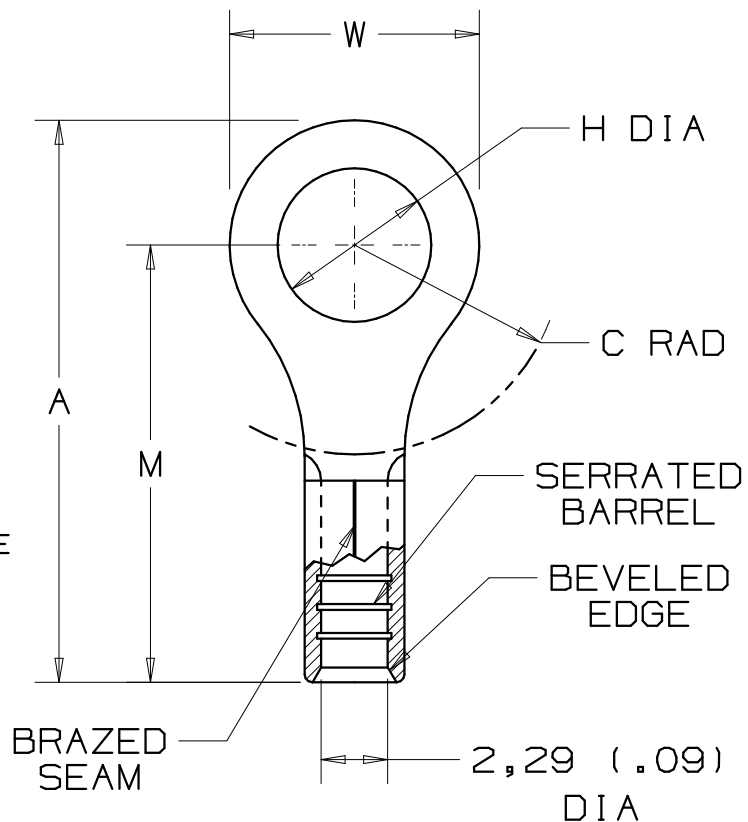



PANDUIT PART #	STUD SIZE	DIMENSIONS mm				
		A ±0,51	W ±0,25	C ±0,38	M ±0,51	H ±0,25
PREFIX						
PM2-3R	M3	15,75 (.62)	5,84 (.23)	5,59 (.22)	12,70 (.50)	3,30 (.13)
PM2-4R	M4	18,03 (.71)	7,87 (.31)	7,37 (.29)	13,97 (.55)	4,57 (.18)
PM2-5R	M5	18,03 (.71)	8,89 (.35)	7,37 (.29)	13,97 (.55)	5,33 (.21)
PM2-6R	M6	23,11 (.91)	10,92 (.43)	10,16 (.40)	17,27 (.68)	6,86 (.27)



NOTES :

- USED FOR :  
A. 1,5-2,5mm<sup>2</sup> (#16-14 AWG), SOLID OR STRANDED, COPPER WIRE
- MATERIAL :  
A. STAMPING - 0,81mm (.03) THK COPPER, TIN PLATED
- DIMENSIONS IN BRACKETS ARE IN INCHES
- PACKAGE QTY:  
A. -X =10, -C =100, -M =1000
- WIRE STRIP LENGTH:  $7,1 \begin{smallmatrix} +,8 \\ -0 \end{smallmatrix}$  (9/32  $\begin{smallmatrix} +1/32 \\ -0 \end{smallmatrix}$ )
- INSTALLATION TOOLS: REF. DWGS.  
A41522, A41523, A41524, A41525

A41431\_02

02	10/06	DAW	DAW	ADDED -X PACKAGE QTY.	TR00171	LCA	TRO	 TINLEY PARK, ILLINOIS
01	10/97	TM	WJB	CHANGED DECIMAL POINTS TO COMMAS	06431	LCA	DBH	
00	11/91	BK	RS	RELEASED	00687	LA	KS	
REV	DATE	BY	CHK	DESCRIPTION	ECN #	CUST	PM	DRAWN BY: BDK CHK'D: SCALE: NONE DRAWING NO.: A41431