

Round USB White LED Lamp

TECHNOLOGY DATA SHEET & SPECIFICATIONS

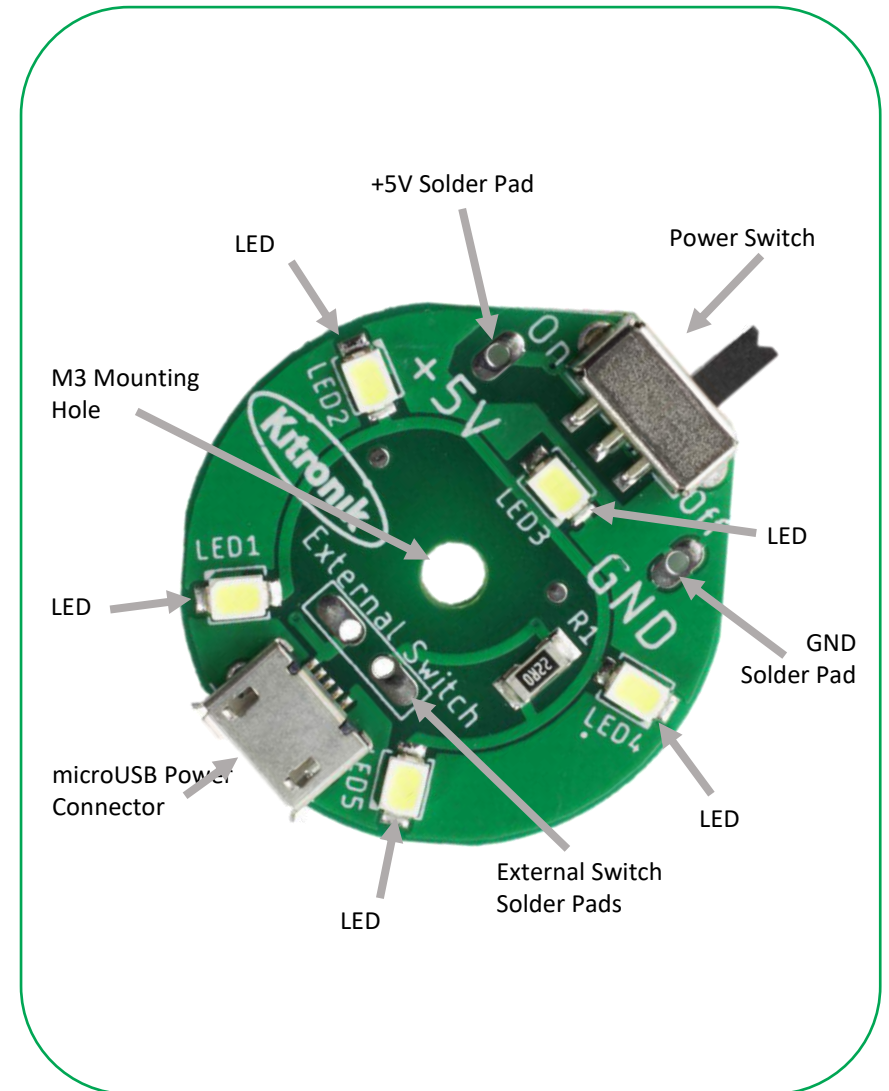
Introduction: The Kitronik Round USB White LED Lamp is a board designed for low power lighting, such as a desk lamps or torch lights. The board is designed such that it is within the supply rating of a computer USB port (5V and under 100mA).



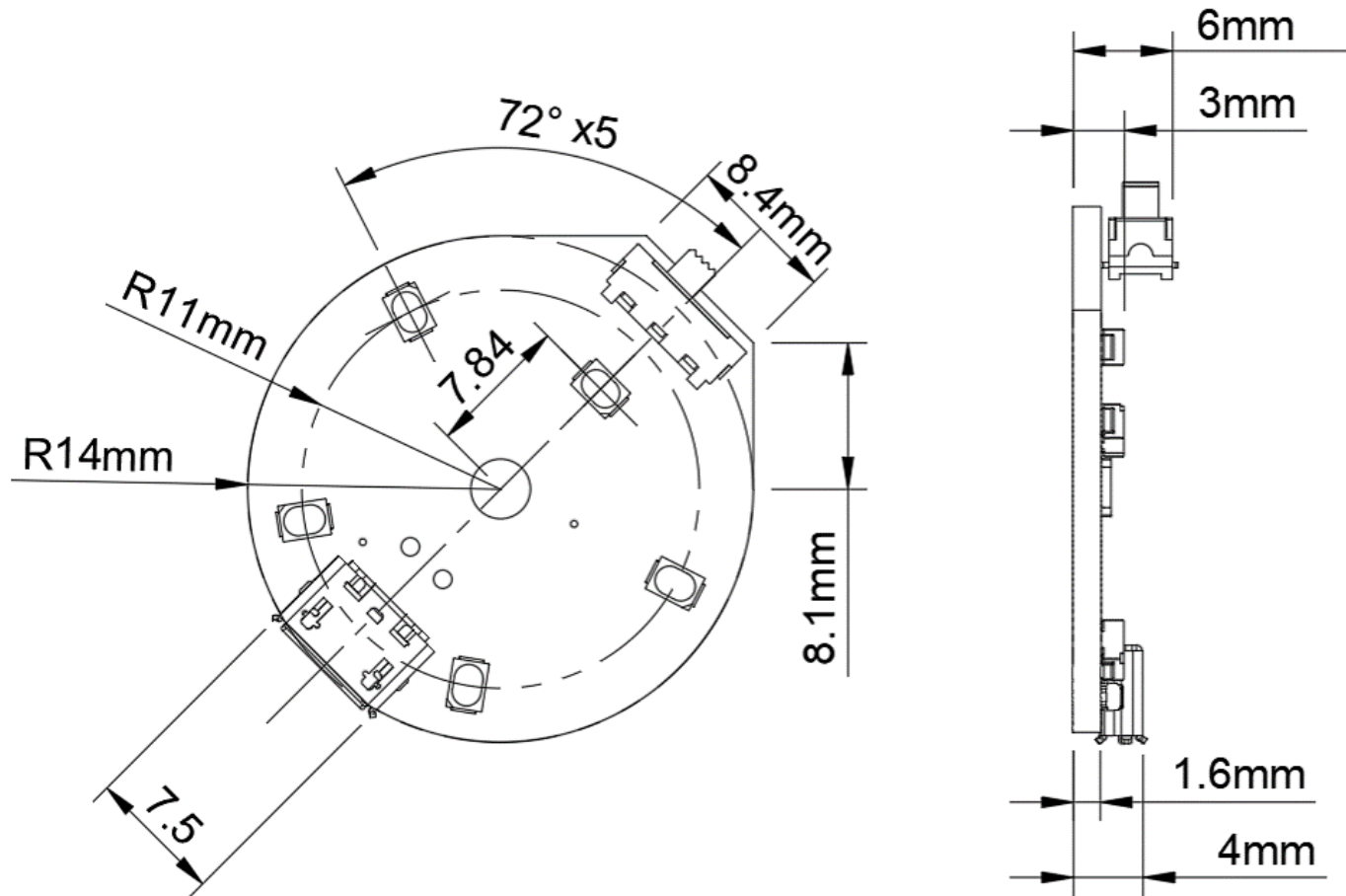
The PCB is designed to fit inside a 28mm square area, with the power switch in a position for ease of access. The board has a centred mounting hole to fit a standard M3 bolt. The LEDs are set on a 72° degree separation from each other, arrayed around the mounting hole.

The on-board power switch can be used to turn on/off the LEDs. An additional switch can be connected in parallel with the PCB switch to allow remote mounting within an enclosure. When using a remote switch the PCB mounted switch should be left switched to 'Off'.

SPECIFICATION	
Number of LEDs	5 White LEDs
Operational Supply	5V via micro USB connector
Forward Current	90mA at 5V
Luminous Intensity	~8000mCd
Colour Temp	6500K
Mounting	Single M3 hole (3.3mm Dia) Placed centre of the PCB



Dimensions



(Dimensions +/- 0.2mm)