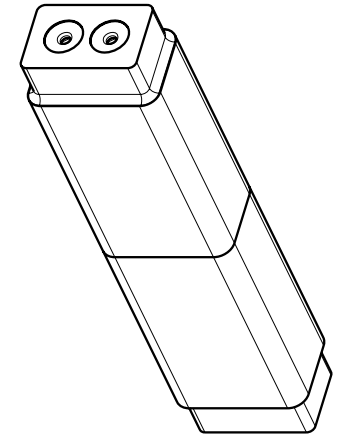
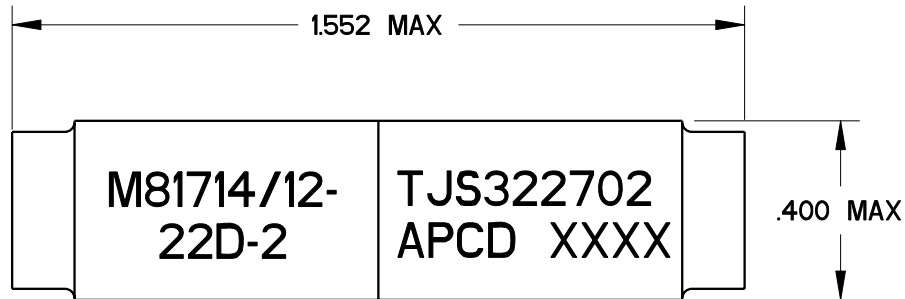
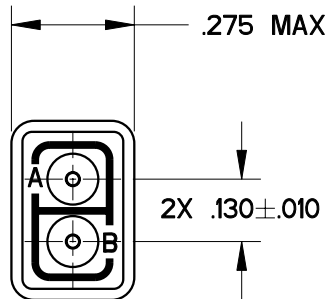


REV	ECN	APP'D
-	5882	



**NOTES:**

- PART MEETS ALL REQUIREMENTS OF MIL-T-81714/12
- MATERIALS:  
GROMMET - SILICONE RUBBER, COLOR: BLUE  
INSULATOR - THERMOPLASTIC  
INTERNAL CONTACT - COPPER ALLOY  
CONTACT RETAINER CLIPS - STAINLESS STEEL ALLOY
- MODULE ACCEPTS M39029/1-100 PIN CONTACTS, SEE TABLE.

PART NO.	DESCRIPTION	P/N MARKING
TJS322602	CONTACTS NOT SUPPLIED	TJS322702
TJS322702	FIVE (5) CNP068000 INCLUDED	

<b>DIMENSIONS</b> ANSI Y14.5M UNITS: INCHES Pro/E FILE	<b>TOLERANCES</b> .XX ±0.01 .XXX ±0.005 ANGLES ±0.5°	<b>PROJECTION</b> 	<h1>Amphenol Pcd</h1> <p>SPECIFICATION DRAWING</p>		<b>TITLE</b> TERMINAL JUNCTION SPLICE DOUBLE UN-BUSSED, SIZE 22			
			DRWN R. SWAINE 06/29/06			SIZE A	DWG NO. TJS322602_C	REV -
THIS DOCUMENT CONTAINS PROPRIETARY INFORMATION WHICH IS THE CONFIDENTIAL PROPERTY OF AMPHENOL PCD, BEVERLY, MA			ENGR			CODE: 58982	SCALE: 8:3	SHEET 1 OF 1
			APPD					