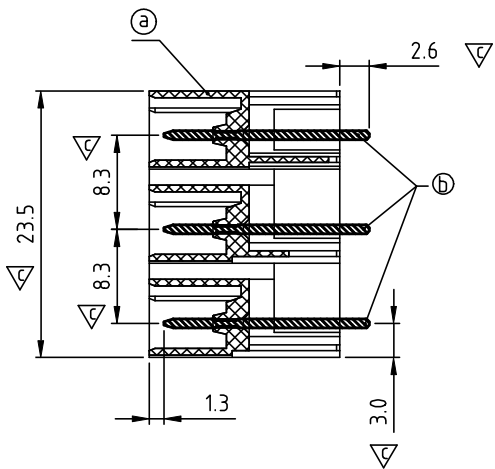
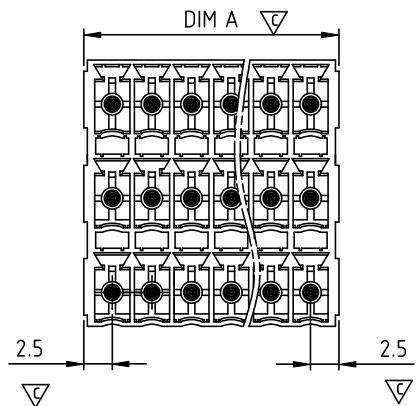


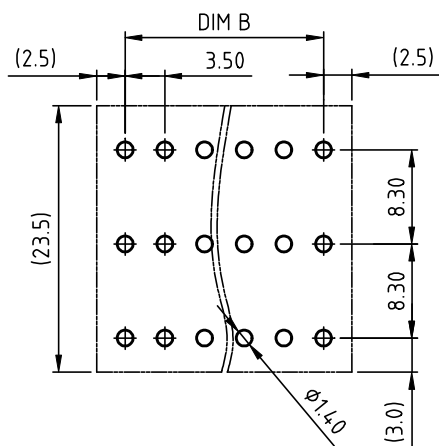
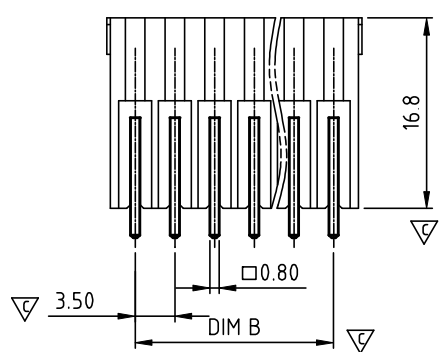
SIGN	DATE	DESCRIPTION	APPROVER
△			

THIS IS CAD DRAWING, DO NOT REVISE MANUALLY!!!



- Material:
- Item ① Terminal(housing): PA66 30% GF (UL94V-0)
 - Item ② Contact pin : copper Tin plated

- Electrical: cULus
- Voltage rating: 160V
 - Current rating: 5.5A
 - Withstanding Voltage: 1.32 KV
 - Operating temperature: -40°C to +115°C
 - Soldering temperature: 250°C ±10°C/5 Sec
 - APPROVAL:
 - Critical dimension: ▽



PCB Layout

K3 xx 1 1 x 0 xxxx G

- No. OF POLES
- 06: 3x2 POLES
 - 09: 3x3 POLES
 - ...
 - 72: 3x24 POLES
- COLOR
- 0 Black (RAL9005)
 - 3 Orange(RAL2011/P)
 - 5 Green(RAL6018/T)
 - 6 Blue (RAL5015/A)
 - 8 Grey(RAL7035/D)
- RoHS compliant (lead<4%)
In copper Alloy
- A000: "@ " Logo (Standard)
A00A: "ANYTEK" Mark
- Any special item by customer request. please contact sales department.

N=NUMBER OF CONTACTS

DIM		TOL		
		3x2P--3x5P	3x6P--3x16P	3x17P--3x24P
Dim A	(N/3-1)×3.5+5.0	±0.20	±0.25	±0.30
Dim B	(N/3-1)×3.5			

ANYTEK

CUSTOMER COPY

ALL RIGHTS RESERVED. REPRODUCTION OR ISSUE TO THIRD PARTIES IN ANY FORM WHATSOEVER IS NOT PERMITTED WITHOUT WRITTEN AUTHORITY FROM THE PROPRIETOR. PROPERTY OF ANYTEK TECHNOLOGY CO., LTD

TITLE		K3 3.5mm W/O Flange Series (180°-Vertical) DIP type			
PART NO.		K3xx11x0xxxxG		DWG NO. 8K30010	
APPROVED	CHECKED	DESIGNED	DRAWN	CUST NO.	
		Runner 2010.09.18	Runner 2010.06.28		
				Tolerance	
				UNIT: mm	X. ±0.50
				SCALE: NONE	X.X ±0.30
					X.XX ±0.10
					X° ±1°
				SHEET: 01/01	REV.: B