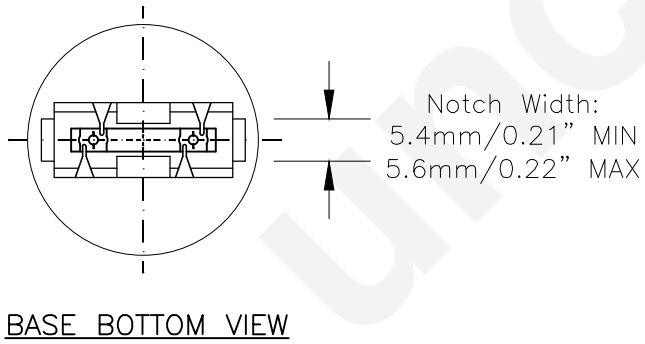
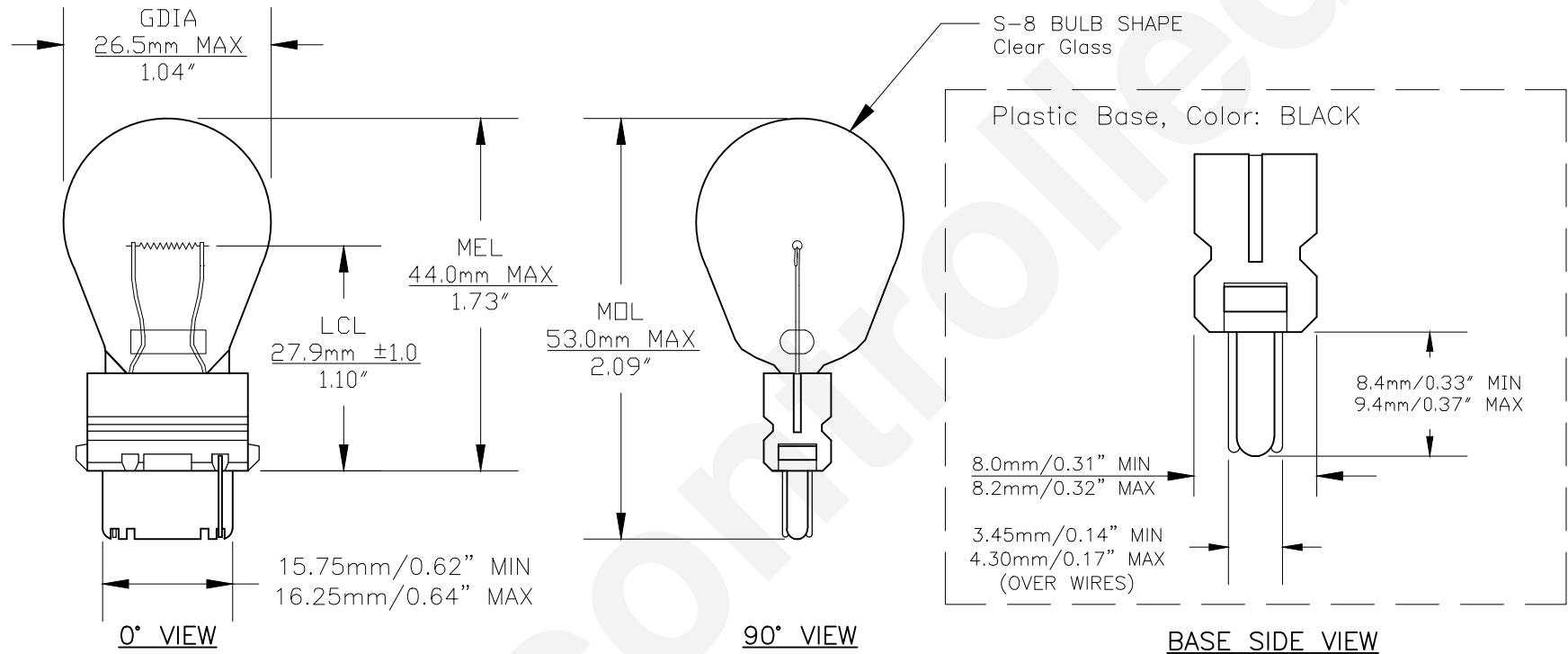




PART NO.	BASE TYPE	DESIGN VOLTS	DESIGN AMPS	MSCD	FILAMENT TYPE	AVERAGE LIFE HOURS	REVISIONS			
							REV #	DESCRIPTION	DATE	APPROVED
3456LL	S.F. Plastic Wedge W2.5X16d	12.8V	2.23±5%	40±10%	C-6	800	1	ISSUED	10/21/2014	R.M.



UNLESS OTHERWISE SPECIFIED: DIMENSIONS ARE IN INCHES TOLERANCES		CEC INDUSTRIES LTD			
DECIMALS .XX ± .05		599 BOND STREET		LINCOLNSHIRE, IL 60069	
ANGULAR .XXX ± .010		TITLE LIGHT BULB NO. 3456LL			
FRACTIONAL ±1/64		DATE 10/21/2014	SIZE A	DWG NO. 3456LL	REV 1
DRAWN ROSE MEDINA	CHECKED	DESIGN	SCALE	PLOT SCALE	SHEET 1 OF 1
MATERIAL		FILE 3456LL.pdf	DRAWING NOT TO SCALE		