



# SPECIFICATION FOR ULTRASONIC SENSOR

TOTAL PAGE	07	<a href="http://www.bestarsensor.com">www.bestarsensor.com</a>	ROHS
------------	----	--	------

Customer		Model Name	BPU13300IFAH09
Customer P/N		Product No.	100520
Date	31. Jul. 2012	Issue No.	BS/TEU01.344A
Page	01 of 07	Issue Date	2012/07/31

## Approval:

- 1.Applications
- 2.Features
- 3.Technical terms
- 4.Drawing
- 5.Beam Pattern
- 6.Test Circuit
- 7.Echo sensitivity/Ringing
- 8.Notice
- 9.Packing
- 10.History change record

Drawn by	Checked by	Approved by	Customer approved
倪雪晴	邹东平	李红元	

### **BESTAR SENSORTECH CO.,LTD**

Room 706.No.178. YuLong South Road,Zhonglou district,ChangZhou,  
JiangSuProvince,P.R.China

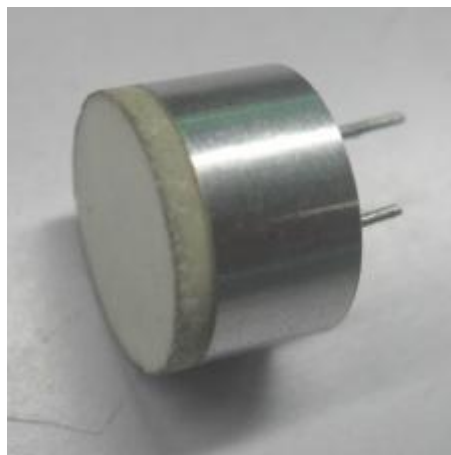
**Tel:** +86 519 88990131    **Fax:** +86 519 88990133

**E-mail:** [li@bestarsensor.com](mailto:li@bestarsensor.com)    **<http://www.bestarsensor.com>**

# BPU13300IFAH09

## 1.Applications

- 1.1)Level measurement
- 1.2)Automation control
- 1.3)Proximity
- 1.4)Obstacle avoidance
- 1.5)Robotics



## 2.Features

- 2.1) Rugged sealed construction.
- 2.2) Cylindrical design allows for installation in various applications.
- 2.3) Short-range measurement capabilities.

## 3.Technical terms

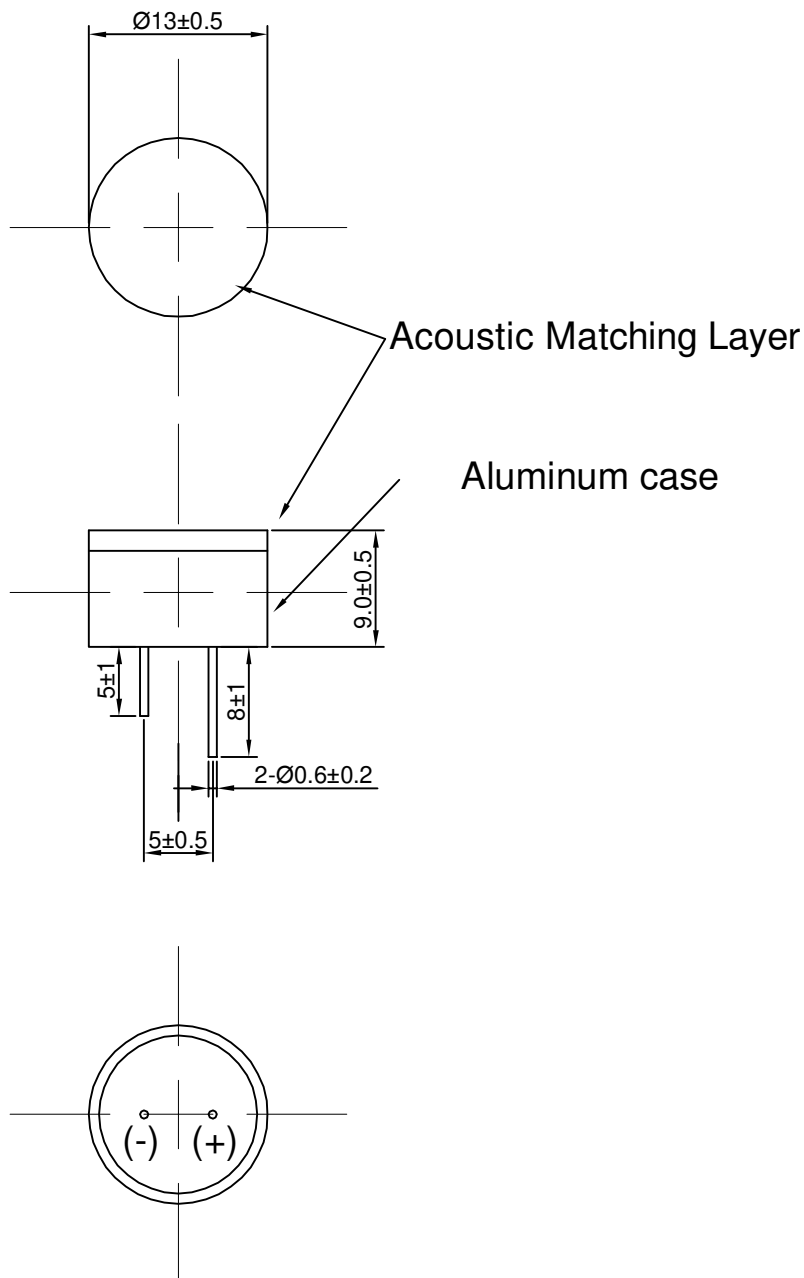
Item	Unit	Specification
Construction		Water Proof
Using Method		Dual Use
Center Frequency	KHz	300±15
Receive Sensitivity Echo	mV	≥800mV (driver signal:200Vp-p, 300KHz,at 20cm )
Capacitance	pf	300±25%at1KHz
Max.Input Voltage		400Vp-p
Directivity (-3dB )	°	10±2
Distance of Detection		0.04~1M
Protection class		IP65
Material		Aluminum
Operating Tem.Range	℃	-20 ~ +80
Storage Tem.Range	℃	-35 ~ +85

This print and information there in are proprietary to Bestar Sensortech Co., Ltd. and shall not be used in whole or in part without its written content

				Date:	2012.07.31	BPU13300IFAH09	
				Drawn by:	倪雪晴		
A	2012.07.31	倪雪晴		Checked by:	邹东平	Ultrasonic Sensor	
Rev.	Date	Drawn	Note	Approved by:	李红元		
BESTAR SENSORTECH CO.,LTD						DRG NO: BS/TEU01.344A	Page:2 of 7
www.bestarsensor.com li@bestarsensor.com							

BPU13300IFAH09

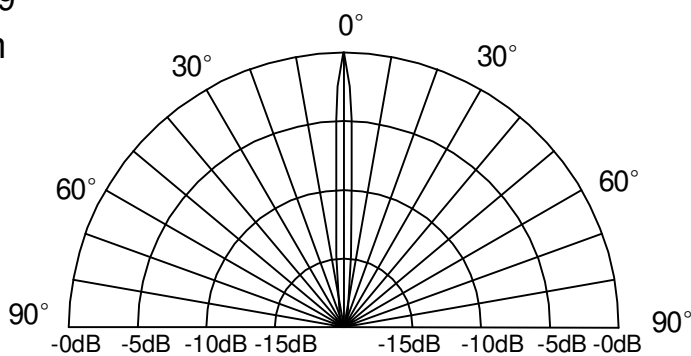
4.Drawing



This print and information there in are proprietary to Bestar Sensortech Co., Ltd. and shall not be used in whole or in part without its written content.

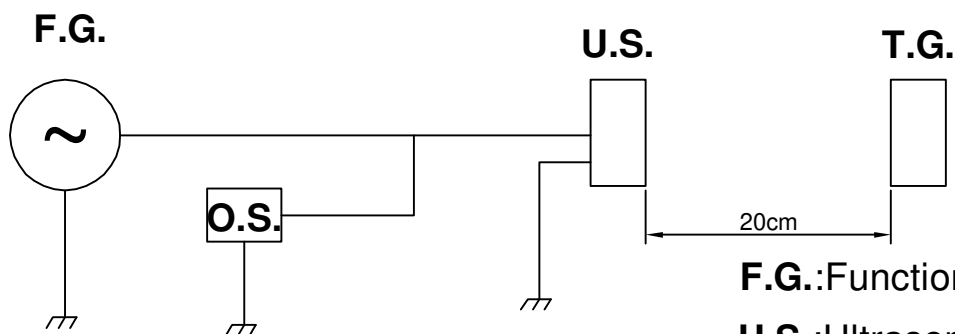
				Date:	2012.07.31	BPU13300IFAH09	
				Drawn by:	倪雪晴		
A	2012.07.31	倪雪晴		Checked by:	邹东平	Ultrasonic Sensor	
Rev.	Date	Drawn	Note	Approved by:	李红元		
BESTAR SENSORTECH CO.,LTD						DRG NO: BS/TEU01.344A	Page:3 of 7
www.bestarsensor.com li@bestarsensor.com							

### BPU13300IFAH09 5.Beam Pattern



Directivity in Overall Sensitivity

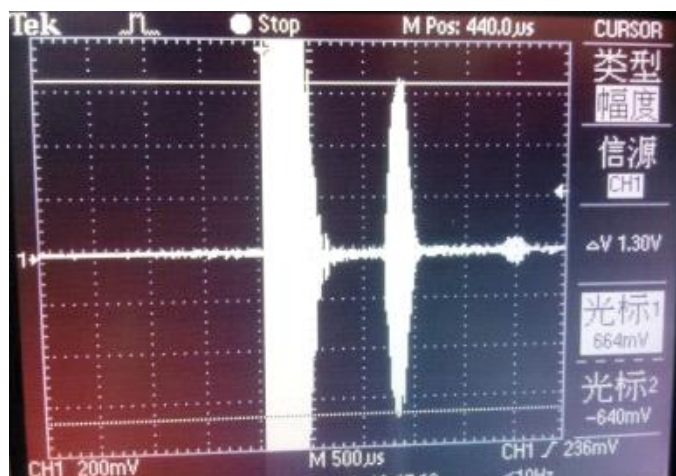
### 6.Test circuit



**F.G.:**Function Generator  
**U.S.:**Ultrasonic Sensor  
**T.G.:**Target  
**O.S.:**Oscilloscope

### 7.Echo sensitivity/Ringing

driver signal:200Vp-p, 300KHz,at 20cm



				Date:	2012.07.31	BPU13300IFAH09
				Drawn by:	倪雪晴	
A	2012.07.31	倪雪晴		Checked by:	邹东平	Ultrasonic Sensor
Rev.	Date	Drawn	Note	Approved by:	李红元	
BESTAR SENSORTECH CO.,LTD						DRG NO: BS/TEU01.344A
www.bestarsensor.com li@bestarsensor.com						Page:4 of 7

This print and information there in are proprietary to Bestar Sensortech Co., Ltd. and shall not be used in whole or in part without its written content

BPU13300IFAH09

## 8. Notice

### 8.1 Export Control <For customers outside The People's Republic of China>

No BeStar products should be used or sold, through any channels, for use in the design, development, production, utilization, maintenance or operation of, or otherwise contribution to (1) any weapons (Weapons of Mass Destruction [nuclear, chemical or biological weapons or missiles] or conventional weapons) or (2) goods or systems specially designed or intended for military end-use or utilization by military end-users.

8.2 Please contact our sales representatives or product engineers before using the products in the specification or catalogue for the applications listed below, which require especially high reliability for the prevention of defects which might directly damage a third party's life, body or property, or when one of our products is intended for use in applications other than those specified in this specification.

- a) Aircraft equipment or Aerospace equipment
- b) Undersea equipment and Power plant equipment
- c) Medical equipment and Transportation equipment (vehicles, trains, ships, etc.)
- d) Traffic signal equipment i Disaster prevention / crime prevention equipment
- e) Data-processing equipment including Application of similar complexity and/or reliability requirements to the applications listed above

8.3 Product specifications and catalogues are subject to change and our products in them may be discontinued without advance notice.

Please check with our sales representatives or product engineers before ordering. If there are any questions, please contact our sales representatives or product engineers.

8.4 Please read rating and CAUTION (for storage, operating, rating, soldering, mounting and handling) in this specifications in order to prevent smoking and/or burning, etc.

8.5 Please note that unless otherwise specified, we shall assume no responsibility whatsoever for any conflict or dispute that may occur in connection with the effect of our and/or a third party's intellectual property rights and other related rights in consideration of your use of our products and/or information described or contained in our specifications and catalogues. In this connection, no representation shall be made to the effect that any third parties are authorized to use the rights mentioned above under licenses without our consent.

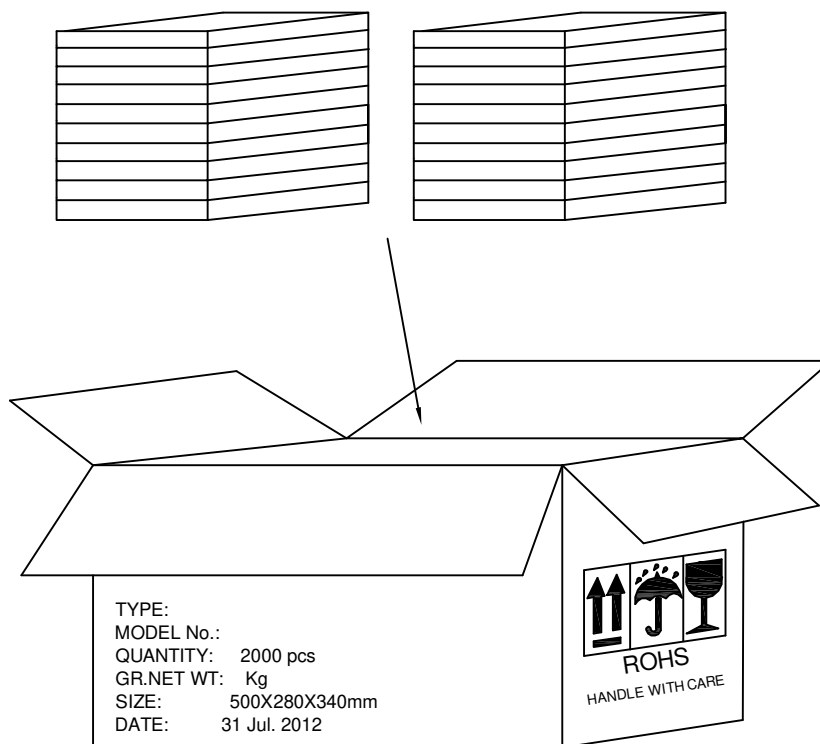
8.6 No ozone depleting substances (ODS) under the Montreal Protocol are used in our manufacturing process.

This print and information there in are proprietary to Bestar Sensortech Co., Ltd. and shall not be used in whole or in part without its written consent

				Date:	2012.07.31	BPU13300IFAH09	
				Drawn by:	倪雪晴		
A	2012.07.31	倪雪晴		Checked by:	邹东平	Ultrasonic Sensor	
Rev.	Date	Drawn	Note	Approved by:	李红元		
BESTAR SENSORTECH CO.,LTD						DRG NO: BS/TEU01.344A	Page:5 of 7
www.bestarsensor.com li@bestarsensor.com							

BPU13300IFAH09

9.Packing



- 1)50 pcs/tray
- 2)40 trays/carton
- 3)2000 pcs/carton in total
- 4)carton size: 500X280X340m m

				Date:	2012.07.31	BPU13300IFAH09	
				Drawn by:	倪雪晴		
A	2012.07.31	倪雪晴		Checked by:	邹东平	Ultrasonic Sensor	
Rev.	Date	Drawn	Note	Approved by:	李红元		
BESTAR SENSORTECH CO.,LTD						DRG NO: BS/TEU01.344A	Page:6 of 7
www.bestarsensor.com li@bestarsensor.com							

This print and information there in are proprietary to Bestar Sensortech Co., Ltd. and shall not be used in whole or in part without its written consent.

