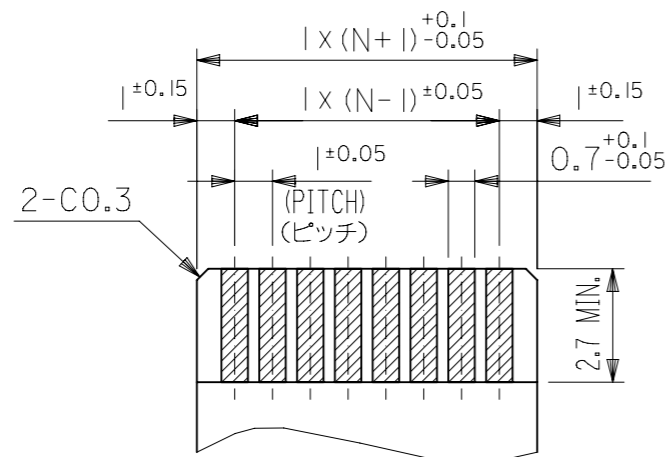
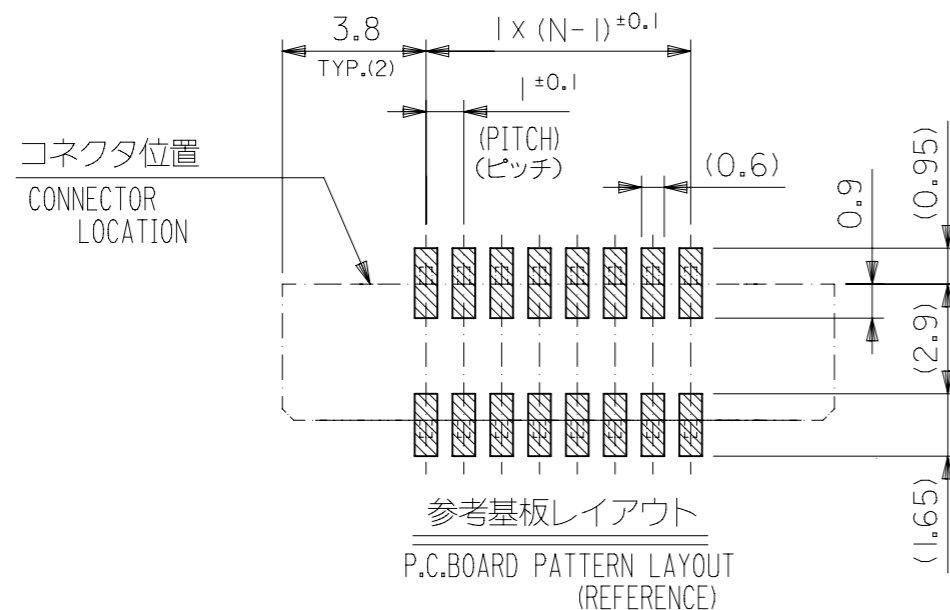


THIS DRAWING CONTAINS INFORMATION THAT IS PROPRIETARY TO MOLEX ELECTRONIC TECHNOLOGIES, LLC AND SHOULD NOT BE USED WITHOUT WRITTEN PERMISSION		CURRENT REV DESC:		<b>molex</b>	
DIMENSION UNITS	SCALE				
mm	NTS			1.0 FPC CONN ZIF FOR SMT (ST) WITH TAPE -LEAD FREE-	
GENERAL TOLERANCES (UNLESS SPECIFIED)				PRODUCT CUSTOMER DRAWING	
ANGULAR TOL ± 3.0°				DOCUMENT NUMBER	
4 PLACES ±		EC NO: 745355		SD-52610-034	
3 PLACES ±		DRWN: RAJMOK		DOC TYPE	
2 PLACES ±		CHK'D: HSHIMOYAMA		PSD	
1 PLACE ±		APPR: HSHIMOYAMA		DOC PART	
0 PLACES ±		INITIAL REVISION:		001	
DRAFT WHERE APPLICABLE MUST REMAIN WITHIN DIMENSIONS		DRWN: HSHIMABUKURO		D	
THIRD ANGLE PROJECTION		APPR: MSASAO		REVISION	
DRAWING		SERIES		1 OF 2	
A3-SIZE		52610			
MATERIAL NUMBER		CUSTOMER			
SEE SHEET-2		GENERAL MARKET			

GENERAL TOLERANCES (UNLESS SPECIFIED)		
10 UNDER	±0.2	
10 OVER 30 UNDER	±0.25	
30 OVER	±0.3	



適合FPC推奨寸法  
 APPLICABLE FPC RECOMMENDED DIM.  
 仕上がり厚さ(THICKNESS): 0.3 ±0.05



注記(NOTES):

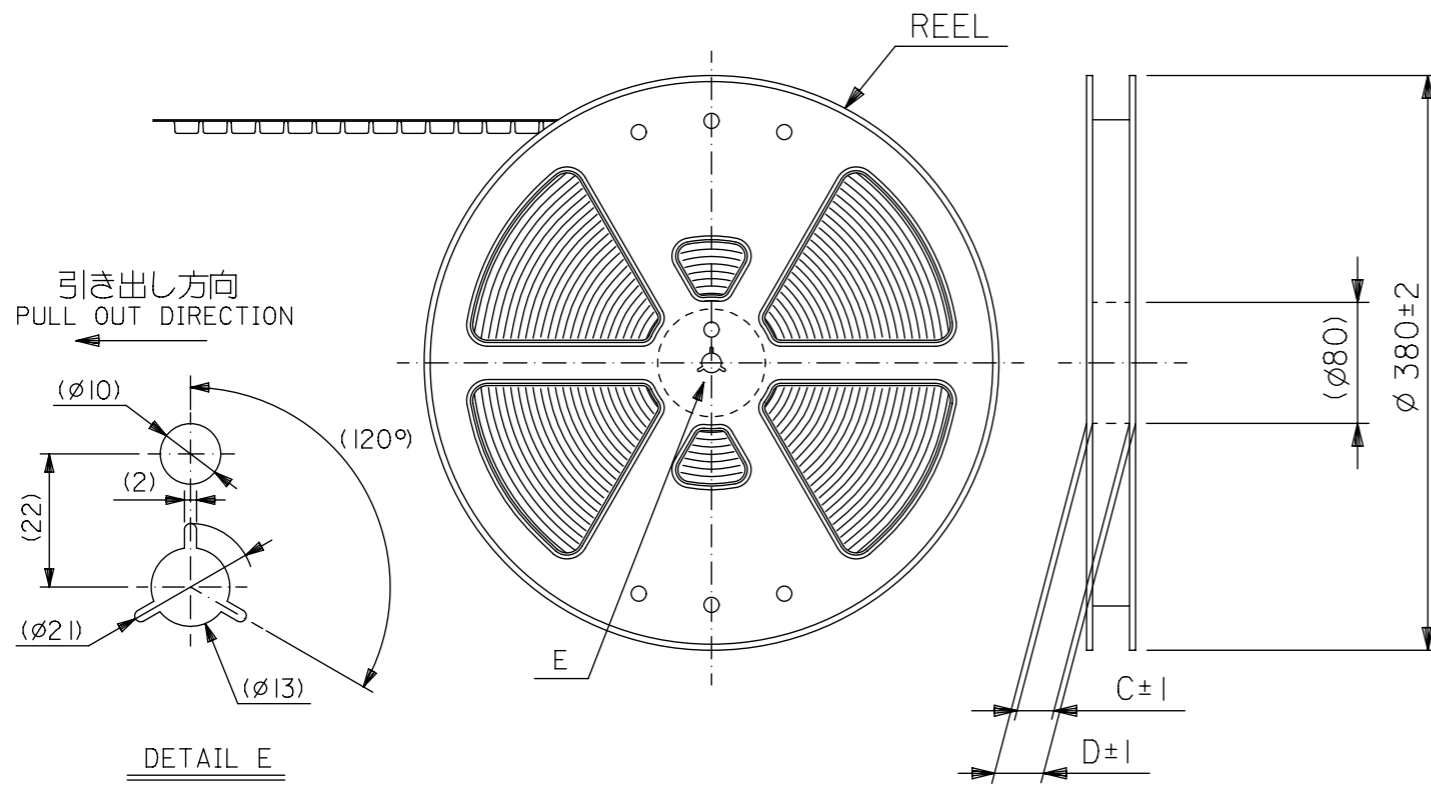
- 材料(MATERIAL)  
 ハウジング(HOUSING): 46NYLON, UL94V-0  
 アクチュエータ(ACTUATOR): PPS, UL94V-0  
 ターミナル(TERMINAL): リン青銅、ニッケル下地、**錫-ビスマスメッキ** (t0.32)  
 PHOS-BRO. **TIN-BISMUTH OVER NICKEL PLATED** (A)
- エンボステープ梱包時は、アクチュエータがロックした状態とする。  
 IN THE PACKAGE, ACTUATOR OF PART NO. 52610-\*\*59 SHOULD BE LOCKED.
- ⊠ ソルダータール半田付け面のズレ量は、基準面 [F] に対し上方向 0.05 MAX.,  
 下方向 0.15 MAX.とする。  
 MISALIGNMENT OF SOLDER TAILS FROM [F] UPPER DIRECTION : 0.05 MAX.,  
 LOWER DIRECTION : 0.15 MAX.
- ⊠ 偶数極に適用。  
 APPLY FOR EVEN CIRCUIT.
- 本製品は 52610-\*\*57 の鉛フリー品である。  
 THIS PRODUCT IS LEAD FREE OF 52610-\*\*57

36.6	34.85	31.2	29	52610-3075	30
34.6	32.85	29.2	27	-2875	28
32.6	30.85	27.2	25	-2675	26
31.6	29.85	26.2	24	-2575	25
30.6	28.85	25.2	23	-2475	24
28.6	26.85	23.2	21	-2275	22
26.6	24.85	21.2	19	-2075	20
25.6	23.85	20.2	18	-1975	19
23.6	21.85	18.2	16	-1775	17
22.6	20.85	17.2	15	-1675	16
20.6	18.85	15.2	13	-1475	14
18.6	16.85	13.2	11	-1275	12
17.6	15.85	12.2	10	-1175	11
16.6	14.85	11.2	9	-1075	10
15.6	13.85	10.2	8	-0975	9
14.6	12.85	9.2	7	-0875	8
13.6	11.85	8.2	6	-0775	7
12.6	10.85	7.2	5	52610-0675	6
D	(C)	B	(A)	MATERIAL. NO.	CKT.

THIS DRAWING CONTAINS INFORMATION THAT IS PROPRIETARY TO MOLEX ELECTRONIC TECHNOLOGIES, LLC AND SHOULD NOT BE USED WITHOUT WRITTEN PERMISSION

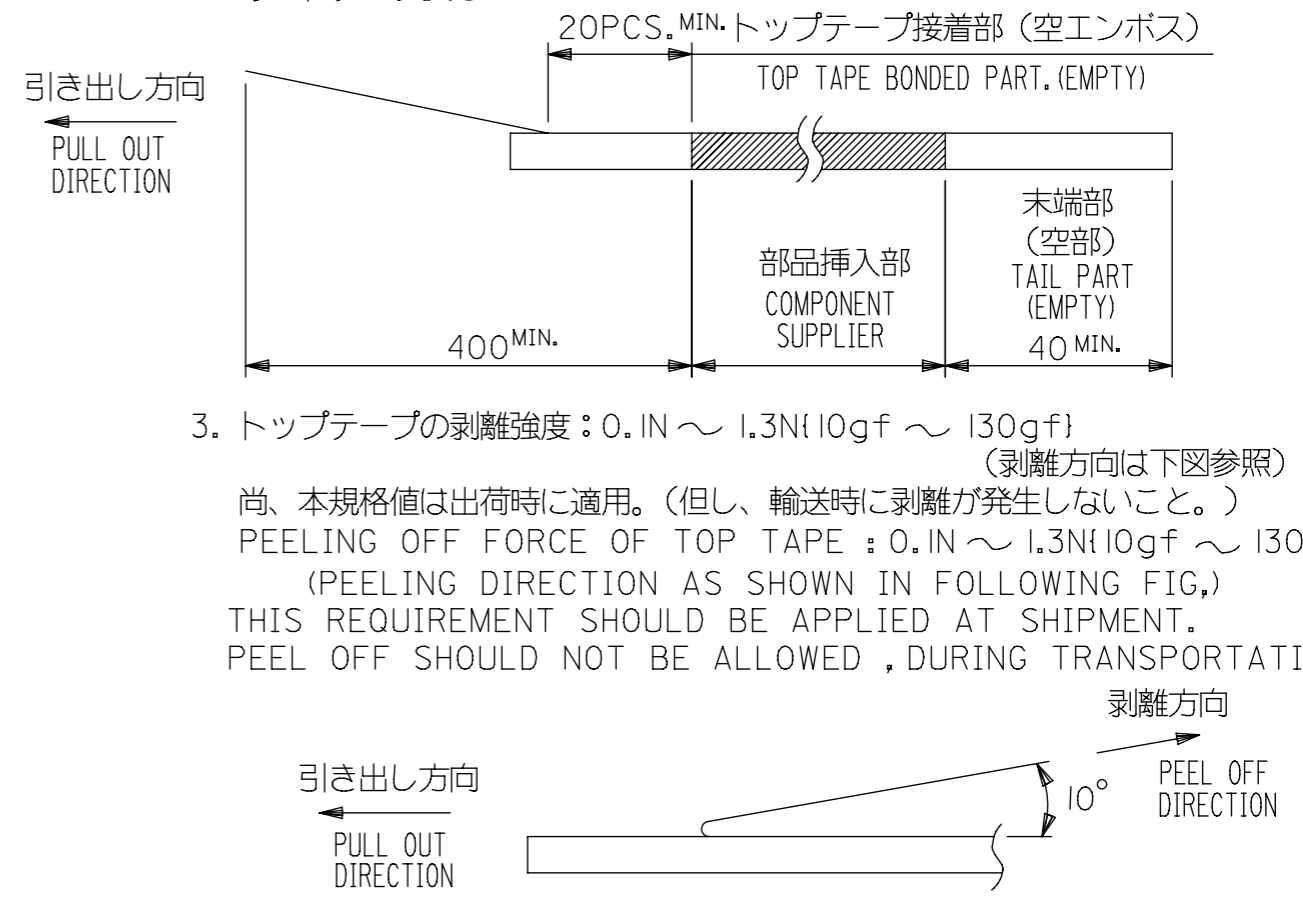
DIMENSION UNITS	SCALE	CURRENT REV DESC:		<b>molex</b>	
mm	NTS				
GENERAL TOLERANCES (UNLESS SPECIFIED)		EC NO: 745355		1.0 FPC CONN ZIF FOR SMT (ST) WITH TAPE -LEAD FREE-	
ANGULAR TOL ± 3.0°		DRWN: RAJMOK 2023/04/07		PRODUCT CUSTOMER DRAWING	
4 PLACES ±		CHK'D: HSHIMOYAMA 2023/04/07		DOCUMENT NUMBER	
3 PLACES ±		APPR: HSHIMOYAMA 2023/04/07		SD-52610-034	
2 PLACES ±		INITIAL REVISION:		DOC TYPE	
1 PLACE ±		DRWN: HSHIMABUKURO 2004/03/30		PSD	
0 PLACES ±		APPR: MSASAO 2004/04/01		DOC PART	
DRAFT WHERE APPLICABLE MUST REMAIN WITHIN DIMENSIONS		THIRD ANGLE PROJECTION	DRAWING	SERIES	REVISION
			A3-SIZE	52610	D
		MATERIAL NUMBER	CUSTOMER	SHEET NUMBER	
		SEE TABLE	GENERAL MARKET	2 OF 2	

GENERAL TOLERANCES (UNLESS SPECIFIED)	
10 <sup>UNDER</sup>	±0.2
10 <sup>OVER</sup> 30 <sup>UNDER</sup>	±0.25
30 <sup>OVER</sup>	±0.3



NOTES

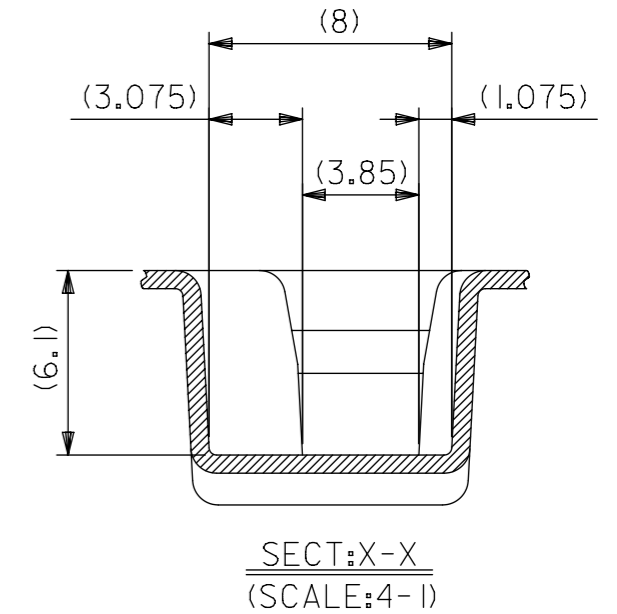
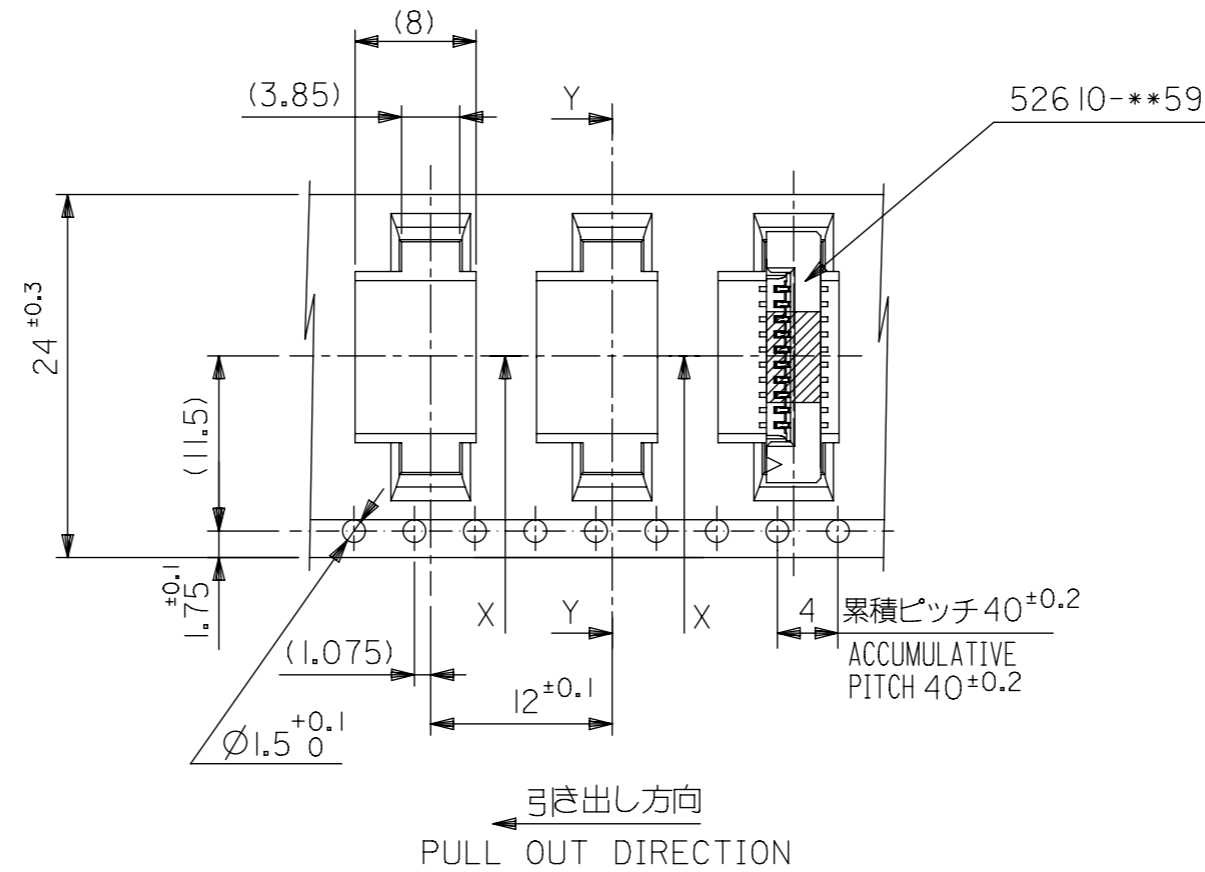
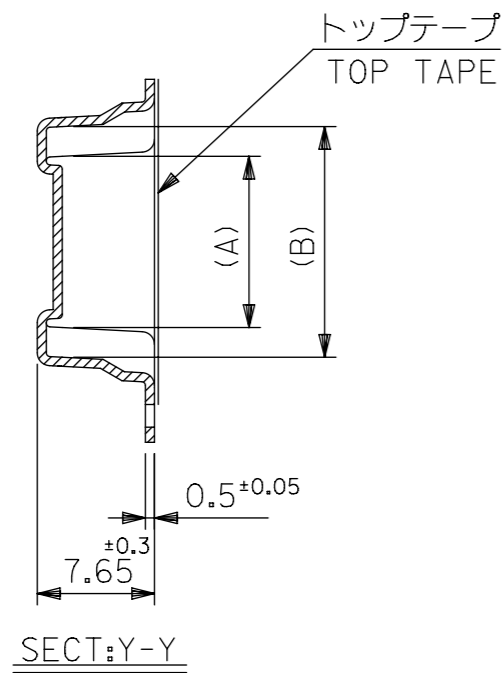
- 梱包数量：1000個/リール  
NUMBER OF CONNECTORS : 1000PCS/REEL
- リードテープ長さ LEAD TAPE LENGTH  
20PCS. MIN. トップテープ接着部 (空エンボス)  
TOP TAPE BONDED PART. (EMPTY)  
部品挿入部  
COMPONENT SUPPLIER  
末端部 (空部)  
TAIL PART (EMPTY)  
40 MIN.
- トップテープの剥離強度：0.1N ~ 1.3N (10gf ~ 130gf)  
(剥離方向は下図参照)  
尚、本規格値は出荷時に適用。(但し、輸送時に剥離が発生しないこと。)  
PEELING OFF FORCE OF TOP TAPE : 0.1N ~ 1.3N (10gf ~ 130gf)  
(PEELING DIRECTION AS SHOWN IN FOLLOWING FIG.)  
THIS REQUIREMENT SHOULD BE APPLIED AT SHIPMENT.  
PEEL OFF SHOULD NOT BE ALLOWED , DURING TRANSPORTATION.
- 52610-\*\*\*59のアクチュエータはハウジング内に押し下げた状態とする。  
詳細寸法については **製品単体図面を参照下さい。**  
ACTUATOR OF PART NO. 52610-\*\*\*59 SHULD BE LOCKED.  
**FOR DETAIL OF CONNECTOR DIMENSIONS, PLEASE SEE THE DRAWING OF ITSELF.**
- 材料(MATERIAL)  
キャリアテープ(CARRIER TAPE)：ポリプロピレン(POLYPROPYLENE)  
トップテープ(TOPTAPE)：PET , PE , PEF  
リール(REEL)：ポリスチレン (PS) <リサイクル材を含む>  
POLYSTYRENE(PS) <RECYCLE MATERIAL CONTAINED>
- 本製品は 52610-\*\*\*94 の鉛フリー品である。  
THIS PRODUCT IS LEAD FREE OF 52610-\*\*\*94
- 本製品は乾燥剤入り、ハイバリア梱包仕様である。  
THIS PRODUCT IS HIGH BARRIER PACKAGE WITH DESICCANT.



52610-\*\*\*75 MODEL NO.

THIS DRAWING CONTAINS INFORMATION THAT IS PROPRIETARY TO MOLEX ELECTRONIC TECHNOLOGIES, LLC AND SHOULD NOT BE USED WITHOUT WRITTEN PERMISSION		CURRENT REV DESC:		<b>molex</b>	
DIMENSION UNITS	SCALE				
mm	NTS			1.0 FPC CONN SMT ZIF WITH TAPE EMBSTP PKG -LEAD FREE-	
GENERAL TOLERANCES (UNLESS SPECIFIED)		EC NO: 719890		PRODUCT CUSTOMER DRAWING	
ANGULAR TOL ± °		DRWN: NARENC 2022/08/26		DOCUMENT NUMBER	
4 PLACES ±		CHK'D: SMARUYAMA 2022/09/05		DOC TYPE	
3 PLACES ±		APPR: YNAITO 2022/09/05		DOC PART	
2 PLACES ±		INITIAL REVISION:		REVISION	
1 PLACE ±		DRWN: HSHIMABUKURO 2004/03/30		SD-52610-035	
0 PLACES ±		APPR: MSASAO 2004/04/01		PSD 001 C	
DRAFT WHERE APPLICABLE MUST REMAIN WITHIN DIMENSIONS		THIRD ANGLE PROJECTION	DRAWING	SERIES	MATERIAL NUMBER
			A3-SIZE	52610	SEE TABLE
					CUSTOMER
					GENERAL MARKET
					SHEET NUMBER
					1 OF 5

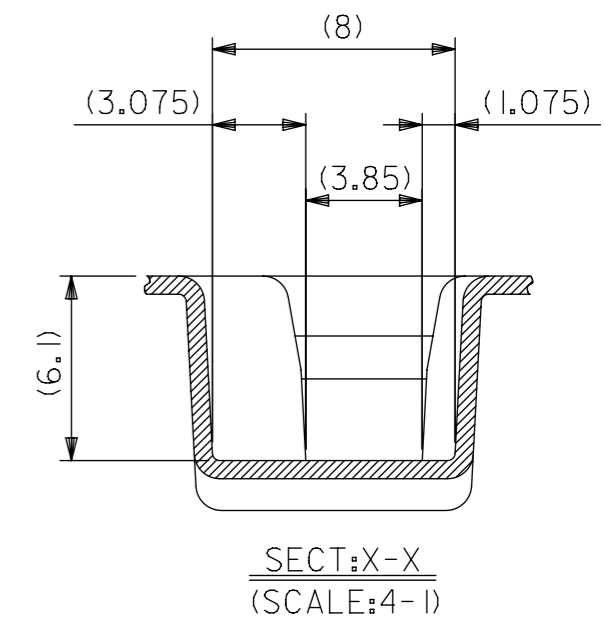
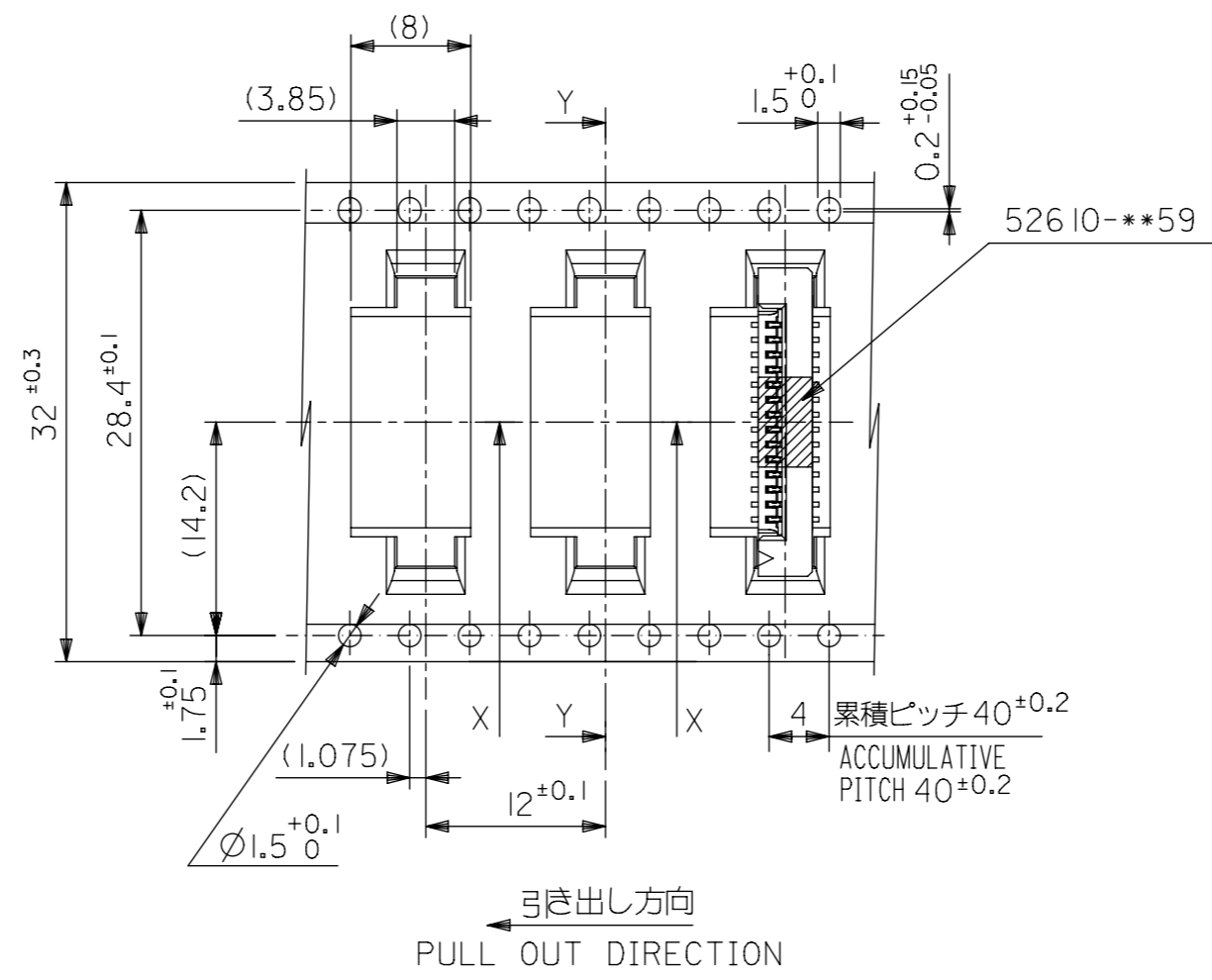
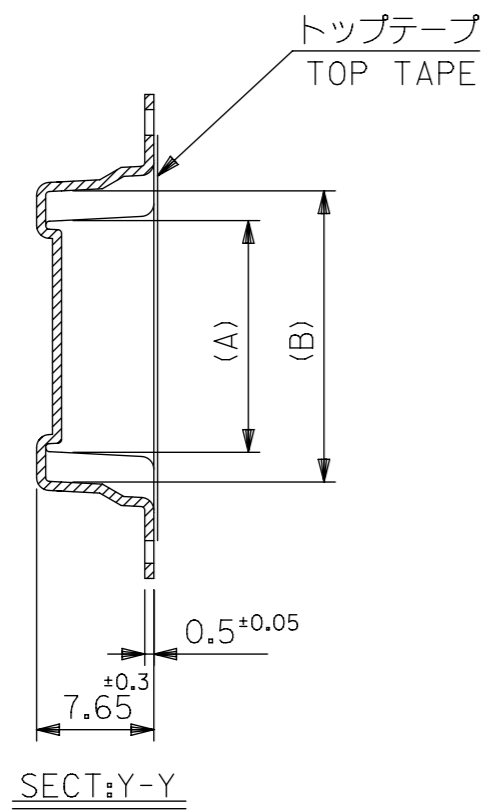
GENERAL TOLERANCES (UNLESS SPECIFIED)	
10 <sup>UNDER</sup>	±0.2
10 <sup>OVER</sup> 30 <sup>UNDER</sup>	±0.25
30 <sup>OVER</sup>	±0.3
ANGULAR	±3°



24	29.4	25.4	15.25	11.32	526 10-1075	10	
			14.25	10.32	526 10-0975	9	
			13.25	9.32	526 10-0875	8	
			12.25	8.32	526 10-0775	7	
			11.25	7.32	526 10-0675	6	
526 10-***75	キャリアテープ幅 CARRIER TAPE WIDTH	D	C	(B)	(A)	MATERIAL. NO.	極数 CKT.

THIS DRAWING CONTAINS INFORMATION THAT IS PROPRIETARY TO MOLEX ELECTRONIC TECHNOLOGIES, LLC AND SHOULD NOT BE USED WITHOUT WRITTEN PERMISSION		CURRENT REV DESC:		<b>molex</b>				
DIMENSION UNITS	SCALE	EC NO: 719890						1.0 FPC CONN SMT ZIF WITH TAPE EMBSTP PKG -LEAD FREE-
mm	NTS	DRWN: NARENC 2022/08/26		PRODUCT CUSTOMER DRAWING				
GENERAL TOLERANCES (UNLESS SPECIFIED)		CHK'D: SMARUYAMA 2022/09/05		DOCUMENT NUMBER				
ANGULAR TOL ± °		APPR: YNAITO 2022/09/05		SD-52610-035		DOC TYPE	DOC PART	REVISION
4 PLACES ±		INITIAL REVISION:		2004/03/30		PSD	001	C
3 PLACES ±		DRWN: HSHIMABUKURO		2004/04/01		SHEET NUMBER		
2 PLACES ±		APPR: MSASAO		SERIES		2 OF 5		
1 PLACE ±		DRAFT WHERE APPLICABLE MUST REMAIN WITHIN DIMENSIONS		A3-SIZE		MATERIAL NUMBER		
0 PLACES ±		THIRD ANGLE PROJECTION		52610		CUSTOMER		
		DRAWING		GENERAL MARKET				

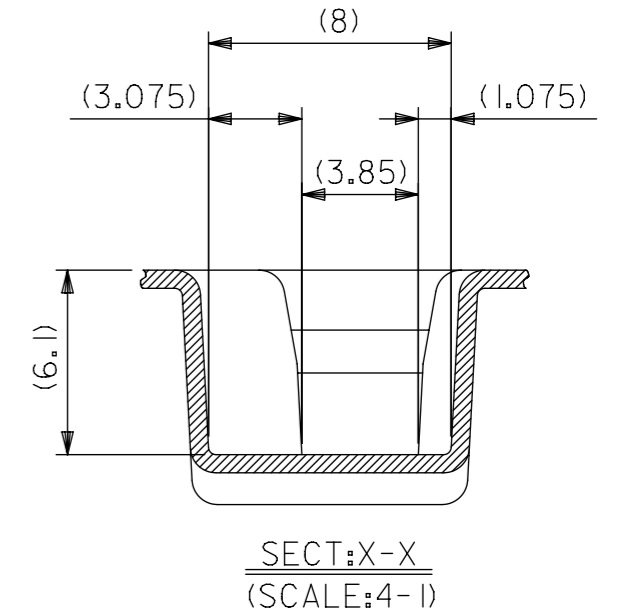
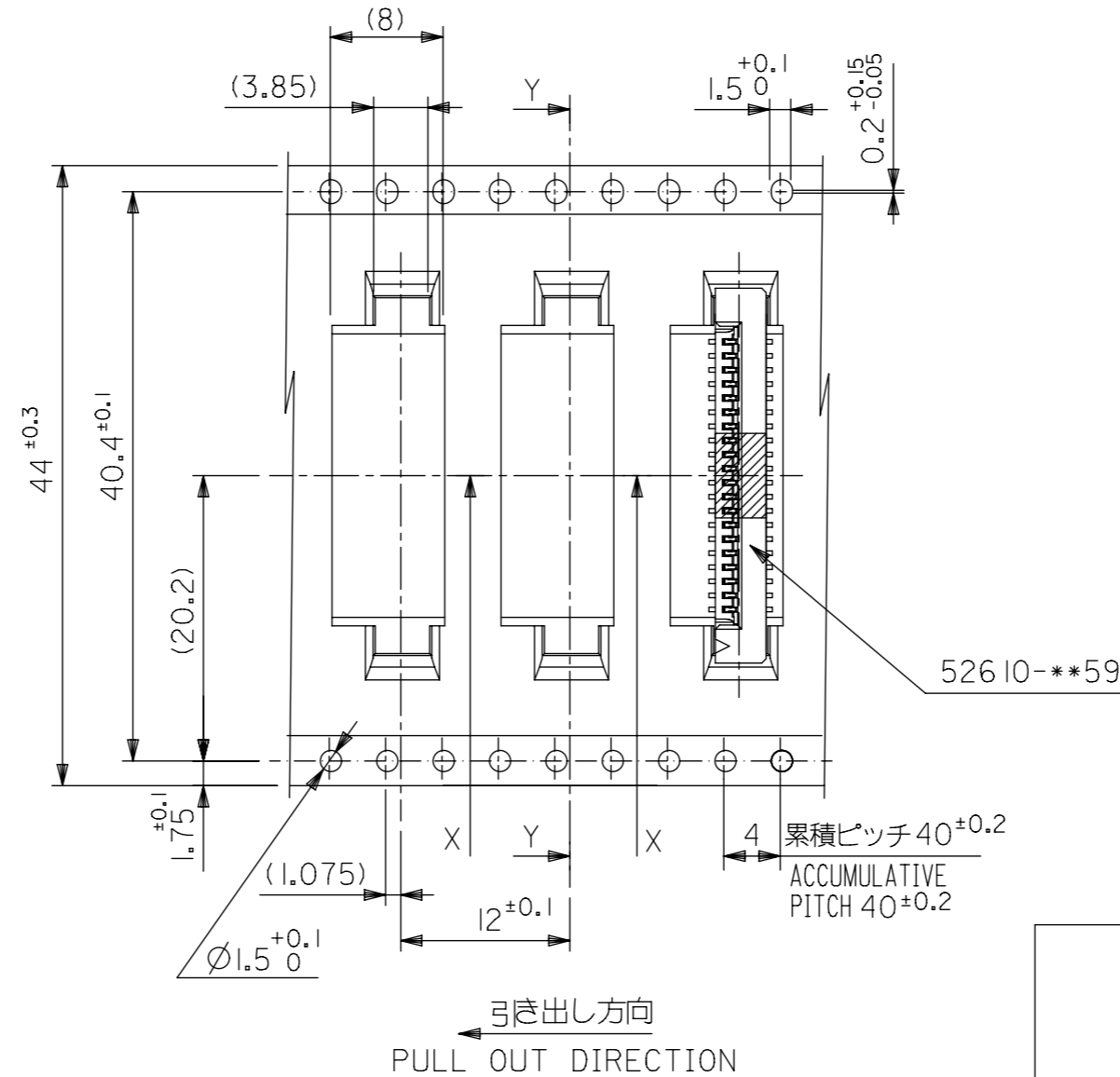
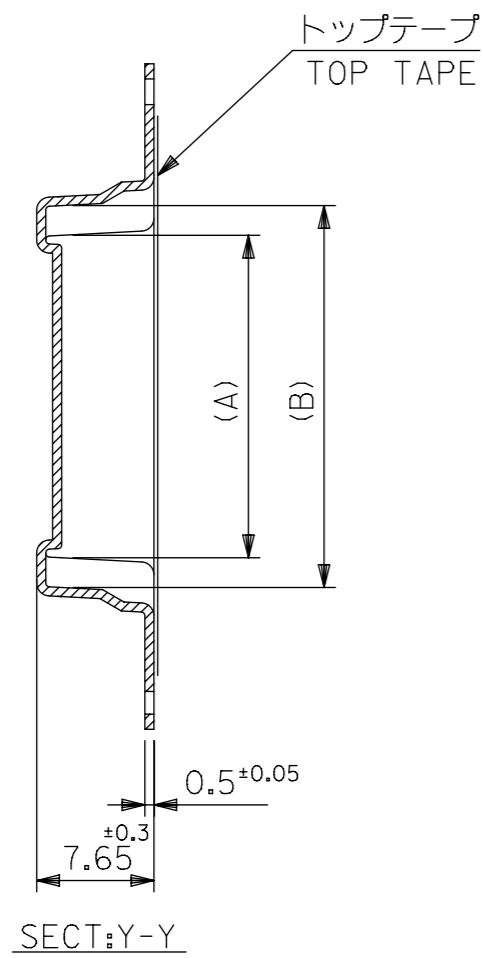
GENERAL TOLERANCES (UNLESS SPECIFIED)	
10 <sup>UNDER</sup>	±0.2
10 <sup>OVER</sup> 30 <sup>UNDER</sup>	±0.25
30 <sup>OVER</sup>	±0.3
ANGULAR	±3 °



526 10-**75 MODEL NO.	32	37.4	33.4	19.25	15.32	526 10-1475	14
				17.25	13.32	526 10-1275	12
				16.25	12.32	526 10-1175	11
	キャリアテープ幅 CARRIER TAPE WIDTH	D	C	(B)	(A)	MATERIAL. NO.	極数 CKT.

THIS DRAWING CONTAINS INFORMATION THAT IS PROPRIETARY TO MOLEX ELECTRONIC TECHNOLOGIES, LLC AND SHOULD NOT BE USED WITHOUT WRITTEN PERMISSION

DIMENSION UNITS mm	SCALE NTS	CURRENT REV DESC:	
GENERAL TOLERANCES (UNLESS SPECIFIED)		<p><b>molex</b></p> <p>1.0 FPC CONN SMT ZIF WITH TAPE EMBSTP PKG -LEAD FREE-</p> <p>PRODUCT CUSTOMER DRAWING</p>	
ANGULAR TOL	± °		
4 PLACES	±		
3 PLACES	±		
2 PLACES	±		
1 PLACE	±	EC NO: 719890	2022/08/26
0 PLACES	±	DRWN: NARENC	2022/09/05
GENERAL TOLERANCES (UNLESS SPECIFIED)		INITIAL REVISION:	
10 <sup>UNDER</sup>	±0.2	DRWN: HSHIMABUKURO	2004/03/30
10 <sup>OVER</sup> 30 <sup>UNDER</sup>	±0.25	APPR: MSASAO	2004/04/01
30 <sup>OVER</sup>	±0.3	DOCUMENT NUMBER <b>SD-52610-035</b>	
ANGULAR	±3 °	DRAFT WHERE APPLICABLE MUST REMAIN WITHIN DIMENSIONS	THIRD ANGLE PROJECTION
		DRAWING A3-SIZE	SERIES 52610
		MATERIAL NUMBER SEE TABLE	CUSTOMER GENERAL MARKET
		DOC TYPE PSD	DOC PART 001
		REVISION C	SHEET NUMBER 3 OF 5



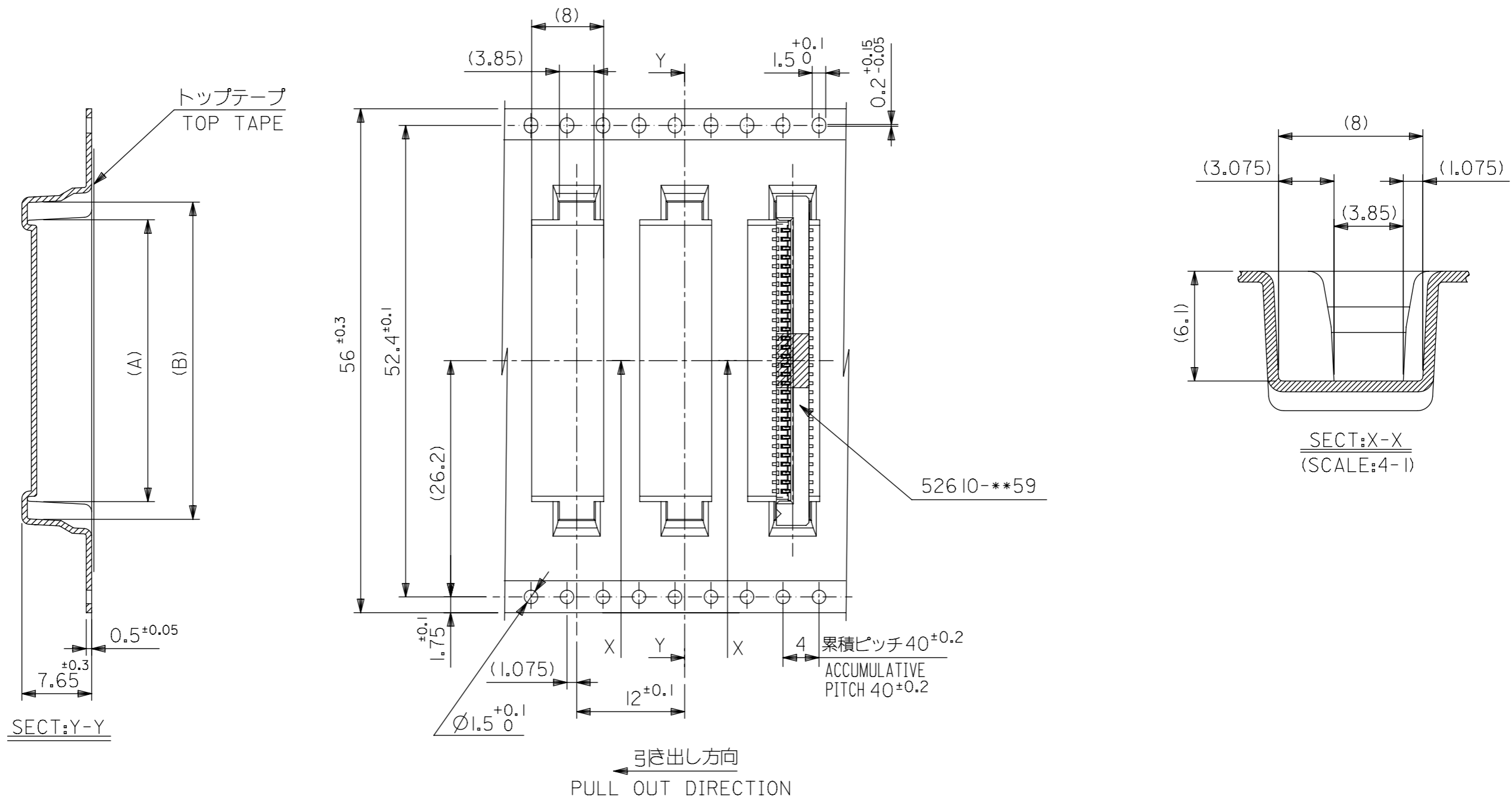
44	49.4	45.4	31.25	27.32	52610-2675	26	
			30.25	26.32	52610-2575	25	
			29.25	25.32	52610-2475	24	
			27.25	23.32	52610-2275	22	
			25.25	21.32	52610-2075	20	
			24.25	20.32	52610-1975	19	
			<b>22.25</b>	<b>18.32</b>	<b>52610-1775</b>	<b>17</b>	
			21.25	17.32	52610-1675	16	
52610-***75	キャリアテープ幅 CARRIER TAPE WIDTH	D	C	(B)	(A)	MATERIAL. NO.	極数 CKT.

THIS DRAWING CONTAINS INFORMATION THAT IS PROPRIETARY TO MOLEX ELECTRONIC TECHNOLOGIES, LLC AND SHOULD NOT BE USED WITHOUT WRITTEN PERMISSION

DIMENSION UNITS		SCALE		CURRENT REV DESC:			
mm		NTS					
GENERAL TOLERANCES (UNLESS SPECIFIED)				molex			
ANGULAR TOL ± °				1.0 FPC CONN SMT ZIF WITH TAPE EMBSTP PKG -LEAD FREE-			
4 PLACES ±				PRODUCT CUSTOMER DRAWING			
3 PLACES ±				DOCUMENT NUMBER			
2 PLACES ±				SD-52610-035			
1 PLACE ±				DOC TYPE			
0 PLACES ±				PSD			
DRAFT WHERE APPLICABLE MUST REMAIN WITHIN DIMENSIONS				DOC PART			
THIRD ANGLE PROJECTION				001			
DRAWING				REVISION			
A3-SIZE				C			
SERIES				SHEET NUMBER			
52610				4 OF 5			
MATERIAL NUMBER				CUSTOMER			
SEE TABLE				GENERAL MARKET			

EC NO: 719890  
DRWN: NARENC 2022/08/26  
CHK'D: SMARUYAMA 2022/09/05  
APPR: YNAITO 2022/09/05

INITIAL REVISION:  
DRWN: HSHIMABUKURO 2004/03/30  
APPR: MSASAO 2004/04/01



52610-**75 MODEL.NO.	56	61.4	57.4	35.25	31.32	52610-3075	30
				33.25	29.32	52610-2875	28
	キャリアテープ幅 CARRIER TAPE WIDTH			D	C	(B)	(A)
						MATERIAL.NO.	極数 CKT.

THIS DRAWING CONTAINS INFORMATION THAT IS PROPRIETARY TO MOLEX ELECTRONIC TECHNOLOGIES, LLC AND SHOULD NOT BE USED WITHOUT WRITTEN PERMISSION

DIMENSION UNITS mm	SCALE NTS	CURRENT REV DESC:	
GENERAL TOLERANCES (UNLESS SPECIFIED)		<b>molex</b> 1.0 FPC CONN SMT ZIF WITH TAPE EMBSTP PKG -LEAD FREE- PRODUCT CUSTOMER DRAWING	
ANGULAR TOL ± ° 4 PLACES ± ° 3 PLACES ± ° 2 PLACES ± ° 1 PLACE ± ° 0 PLACES ± °			
GENERAL TOLERANCES (UNLESS SPECIFIED) 10 <sup>UNDER</sup> ±0.2 10 <sup>OVER</sup> 30 <sup>UNDER</sup> ±0.25 30 <sup>OVER</sup> ±0.3 ANGULAR ±3°		EC NO: 719890 DRWN: NARENC 2022/08/26 CHK'D: SMARUYAMA 2022/09/05 APPR: YNAITO 2022/09/05 INITIAL REVISION: DRWN: HSHIMABUKURO 2004/03/30 APPR: MSASAO 2004/04/01	
DRAFT WHERE APPLICABLE MUST REMAIN WITHIN DIMENSIONS		THIRD ANGLE PROJECTION	DRAWING A3-SIZE
		SERIES 52610	MATERIAL NUMBER SEE TABLE
		CUSTOMER GENERAL MARKET	DOCUMENT NUMBER SD-52610-035
		SHEET NUMBER 5 OF 5	DOC TYPE PSD
		DOC PART 001	REVISION C