

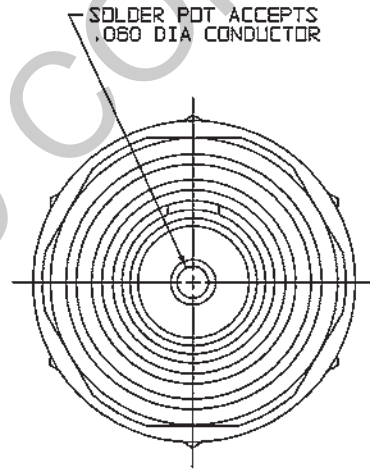
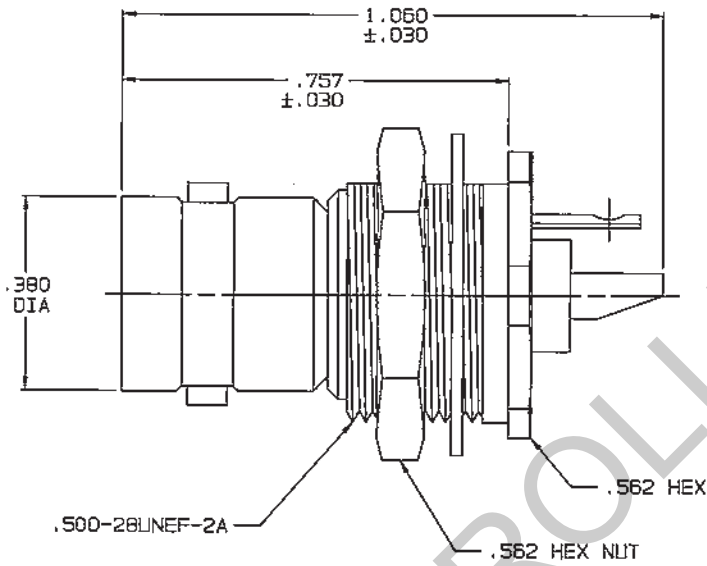
RED INDICATES ORIGINAL

DATA CONTAINED IN THIS DOCUMENT IS PROPRIETARY TO TROMPETER ELECTRONICS INC. AND SHALL NOT BE DISCLOSED, COPIED OR USED FOR PROCUREMENT OR MANUFACTURE WITHOUT EXPRESS WRITTEN PERMISSION.

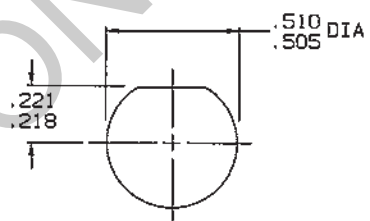
REV		EO	DESCRIPTION	DWN	APPROVED	DATE
0		13257	SH 2; ±.030 TOLERANCE REPLACES ±.003 DN .757 DIMENSION; SEE ECO	DKC	<i>[Signature]</i>	2/18/00

DASH NO	MODEL NO	IMPD OHMS
-1	BJ21	50
-2	UBJ21	75

INCH	MM
.005	0.13
.030	0.76
.060	1.52
.147	3.73
.218	5.54
.221	5.61
.380	9.65
.505	12.83
.510	12.95
.562	14.27
.757	19.23
1.060	26.92



-1 SHOWN



RECOMMENDED
PANEL CUTOUT
SCALE: 2/1

4. 50 & 75 OHM COAXIAL REAR MOUNT INSULATED 2-LUG BNC TYPE SOLDER POT BULKHEAD RECEPTACLE
3. MAX PANEL THK: .147
2. FINISH: TFS-1A (NICKEL)
1. ALL DIM ARE IN INCHES

QTY	DESCRIPTION	PART NUMBER	ITEM
TOL UNLESS SPECIFIED .XX ± .XXX ± .005 .XXXX ± ANGLES ±	TROMPETER RF connectivity <small>a cinch connectivity solutions brand</small>	BJ21 / UBJ21	
DWN DKC 2-3-00	MATERIAL	CODE IDENT	DRAWING NO.
CHK <i>[Signature]</i> 2-18-00		14949	1-0010
ENGR			REV D
NEXT ASSY	APPR <i>[Signature]</i> 2-18-00	SCALE 4/1	DATE 5-12-82
		SHEET	1C