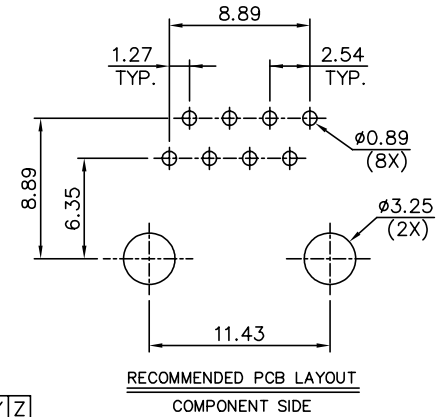
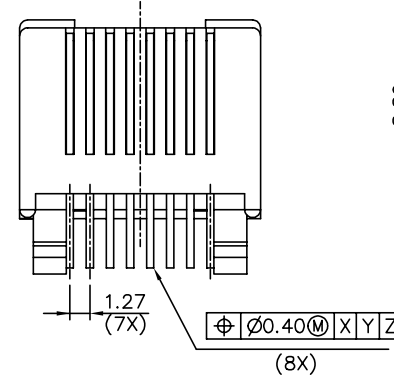
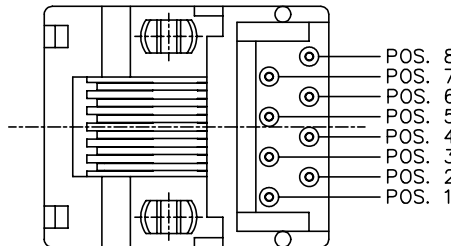
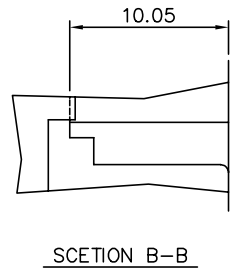
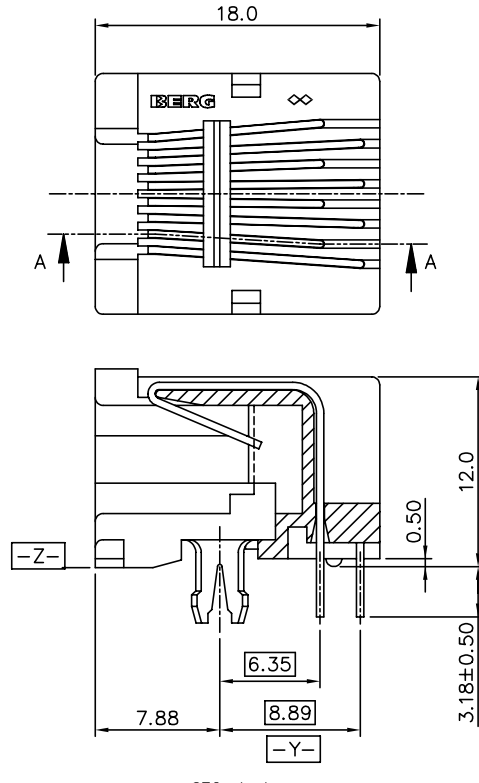
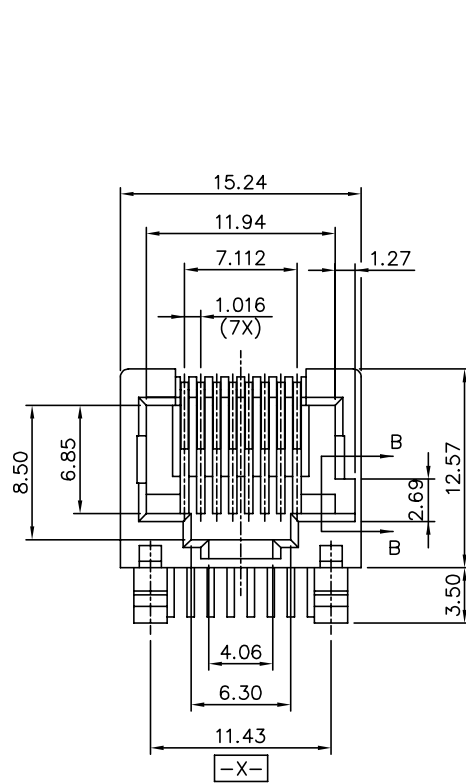


PART NO.	NO. OF POSITION	LOADED POSITION	CONTACTS PLATING
74591-088	8	ALL	5u" Au + high performance lubricant
74591-388			5u" Au + high performance lubricant
74591-588			50u" GXT

NOTES:

1. RECOMMENDED PCB THICKNESS 1.6mm.
2. HOUSING MAT'L: NYLON 66, 25% GLASS REINFORCED, UL 94V-0, COLOR BLACK.
3. CONTACTS: PHOSPHOR BRONZE ALLOY UNS-C51000,  $\phi 0.46$  ROUND WIRE. PLATING: SEE TABLE.
4. PROTRUDED SHELF ONLY APPEARS ON 8 POS. JACK.
5. PACKAGING SPEC.: GES-14-361(USE TUBE).
6. EQUIVALENT THICKNESS Au AND GXT PLATING HAVE SAME FUNCTION AND THEY ARE ALTERNATIVE BY THE CUSTOEMR.



mat'l. code		surface ISO1302 ✓		tolerance ISO1101 ISO406		projection		product family	
l trechn nodr		date		tolerances unless otherwise specified		mm		MOD JACK	
A	T05074	MW	11/06/00	angle	0.X±0.3	scale 2.0		04/13/98	
B	ELX-N-010706SH	MMO	3/14/12	0°±2'	0.XX±0.15			HORZ MOD JACK, FOR 1.6MM P.C.B.	
				0.XXX±0.05				dwg no	
								sheet 1 of 1 size	
								74591 A4	
								type Product Customer Drawing	
sheet index	revision	B							
	sheet	1							