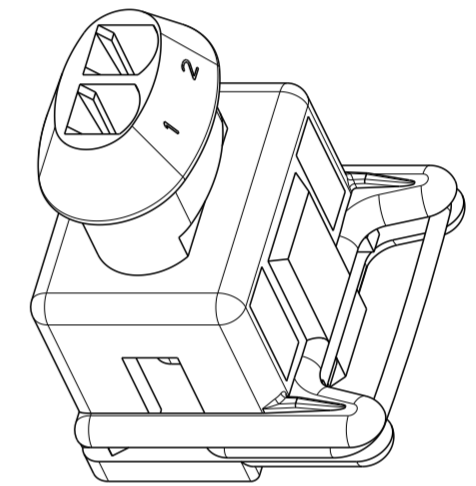
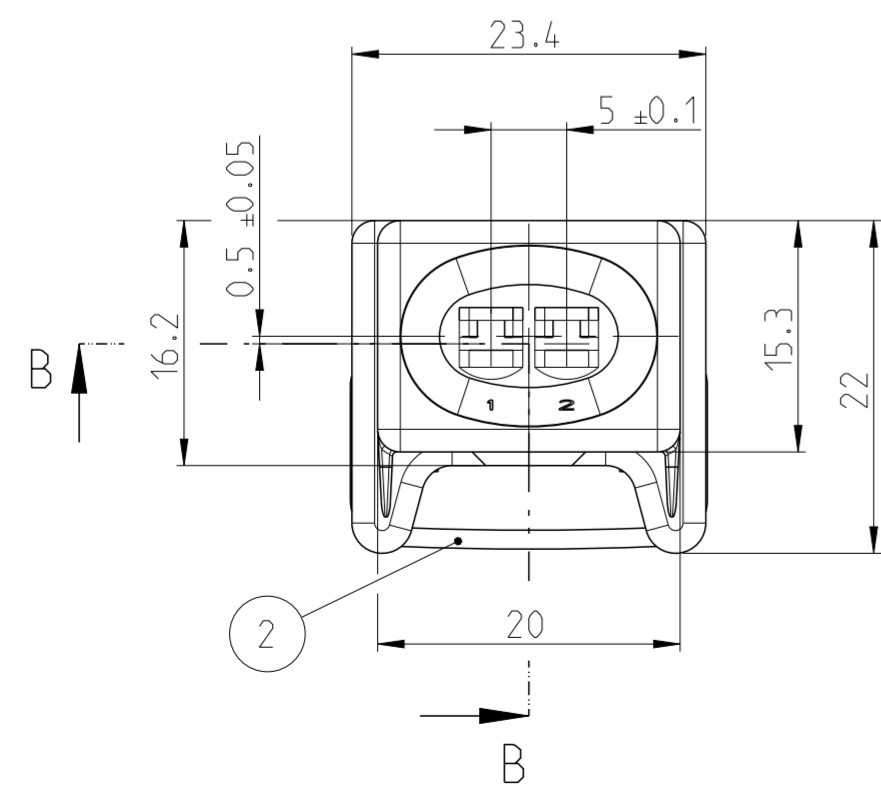
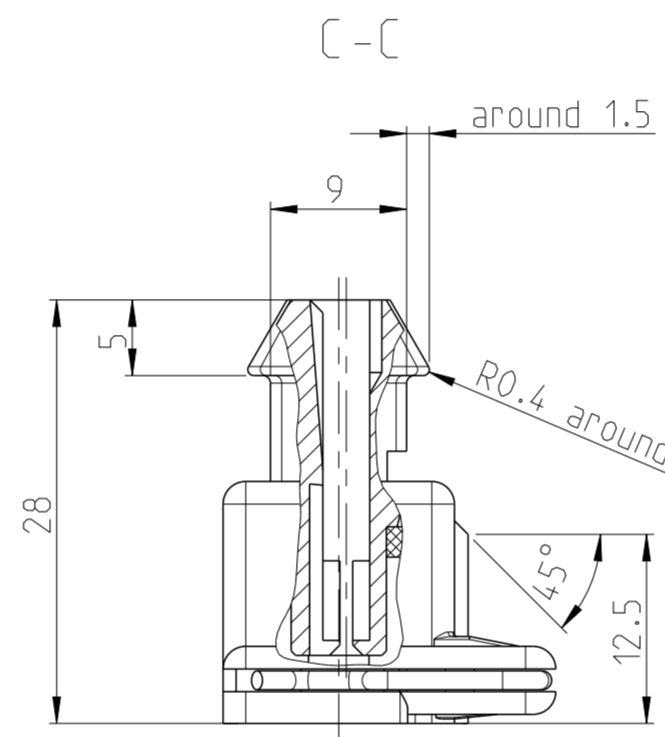
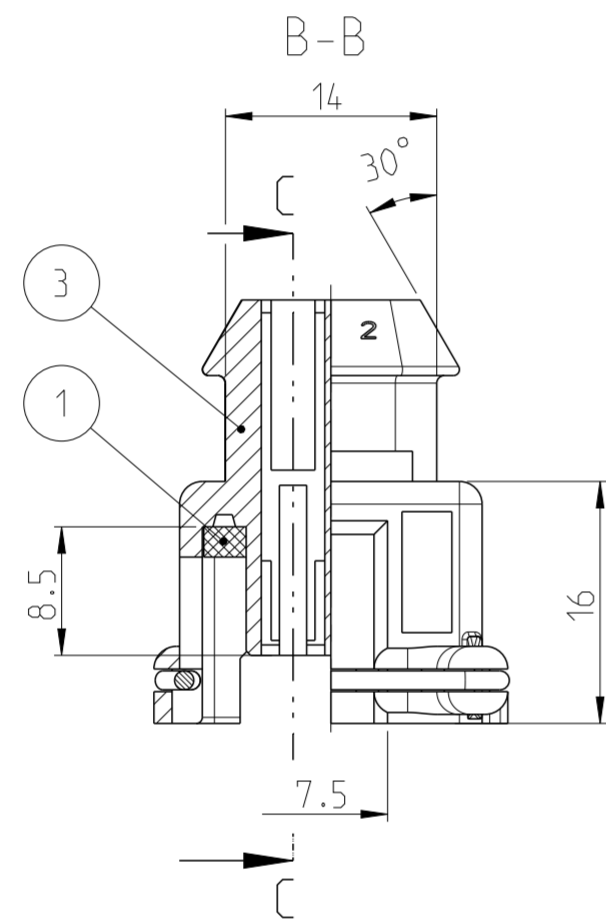
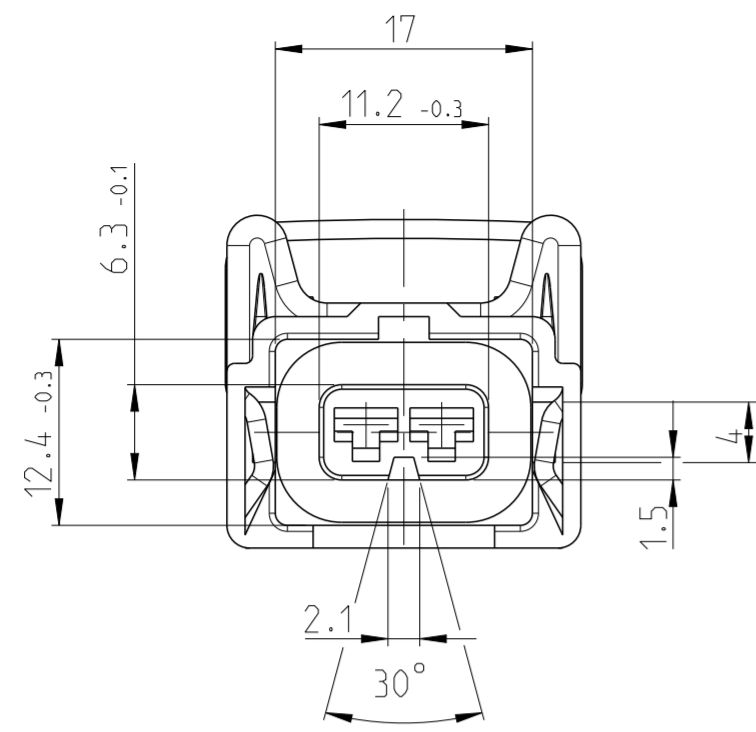


P	LTR	DESCRIPTION	DATE	DWN	APVD
A4		REVISED PER ECO-11-005294	29APR2011	RK	HMR
A5		OBSOLETE PN 827551-6	17DEC2021	KMD	SCK



827551-8	827551-7	827551-6	827551-5	827551-4	827551-3	827551-2	827551-1	PART-NO.	DESCRIPTION	ITEM NO.	MATERIAL	COLOR
								927374-8	2 POS. HOUSING	3	PA 6.6 GFV 30	YELLOW
	1							927374-7		3		RED
		1						927374-6		3		GREEN
			1					927374-5		3		BLUE
				1				927374-4		3		BROWN
					1			927374-3		3		BLACK
						1		927374-2		3		GREY
							1	927374-1		3		NATURAL
	1	1	1	1	1	1	1	827547-1	SPRING	2	DIN 2076	
	1	1	1	1	1	1	1	825383-1	SEALING	1	NEOPRENE	

A5
OBSOLETE

THIS DRAWING IS A CONTROLLED DOCUMENT.

DIMENSIONS:	TOLERANCES UNLESS OTHERWISE SPECIFIED:
mm	±0.3mm
	0 PLC ±0.1
	1 PLC ±0.1
	2 PLC ±0.1
	3 PLC ±0.1
	4 PLC ±0.1
ANGLES	±2.5°
FINISH	

DWN: Hoschek 12 JUL 1983
 CHK: Ryll 09 AUG 1983
 APVD: Bleicher M. 25 AUG 2006
 NAME: ASSY FOR 2POS. HSG. FOR JUNIOR-TIMER CONTACT
 2 pol. Hehaeuse fuer Junior-Timer Kontakt
 SIZE: A2 CAGE CODE: 100779 DRAWING NO: C-827551
 SCALE: 2:1 SHEET: 1 OF 1 REV: A5