

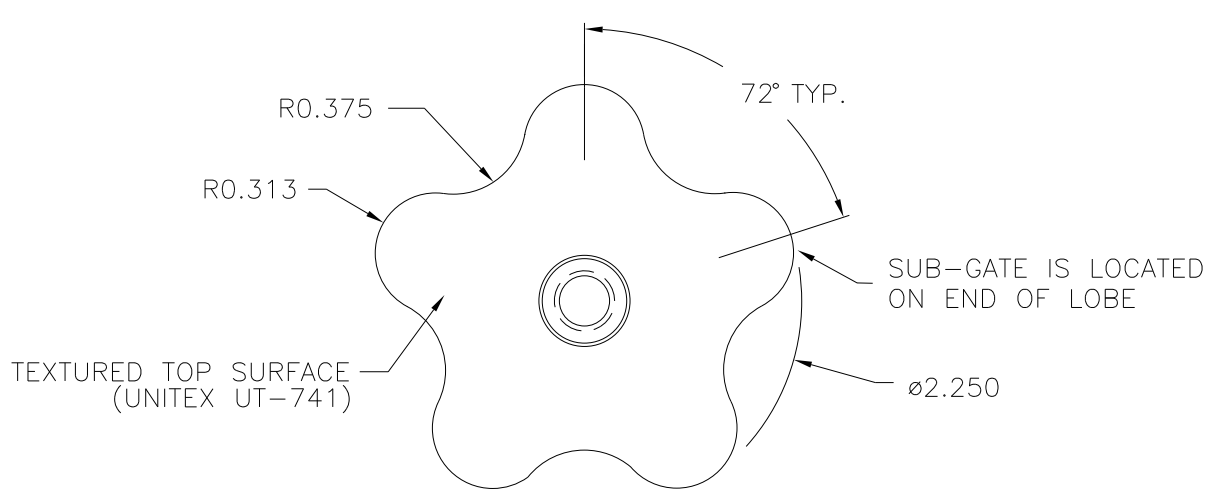
PART NAME: 5 STAR-KNOB SCALE: 1:1 DATE: 5/31/95 DR. BY HD

THIS DRAWING IS THE PROPERTY OF DAVIES MOLDING COMPANY, IS SUBMITTED SOLELY AS A DESIGN OR ENGINEERING PROJECT. WE ACCEPT NO RESPONSIBILITY WHATSOEVER FOR THE PRACTICAL APPLICATION OF THE PIECES MADE TO THIS DESIGN.

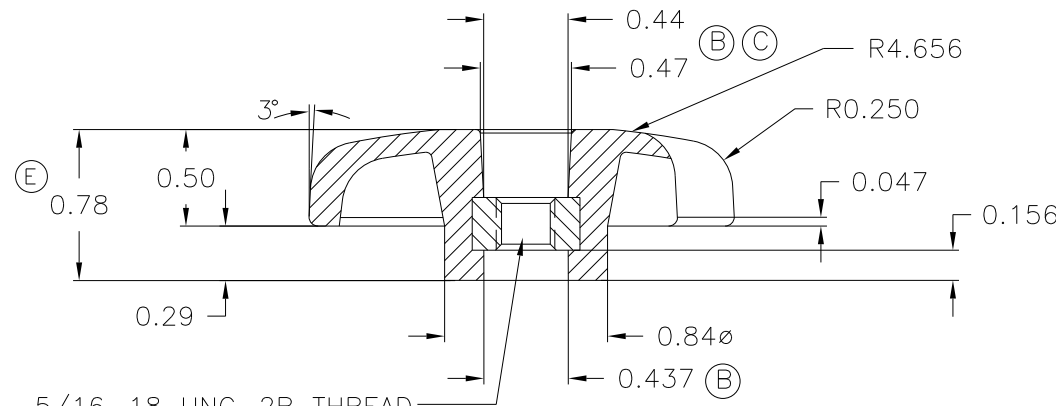


DESIGNERS & MANUFACTURERS OF KNOBS, HANDLES, CASES & CUSTOM PLASTIC COMPONENTS

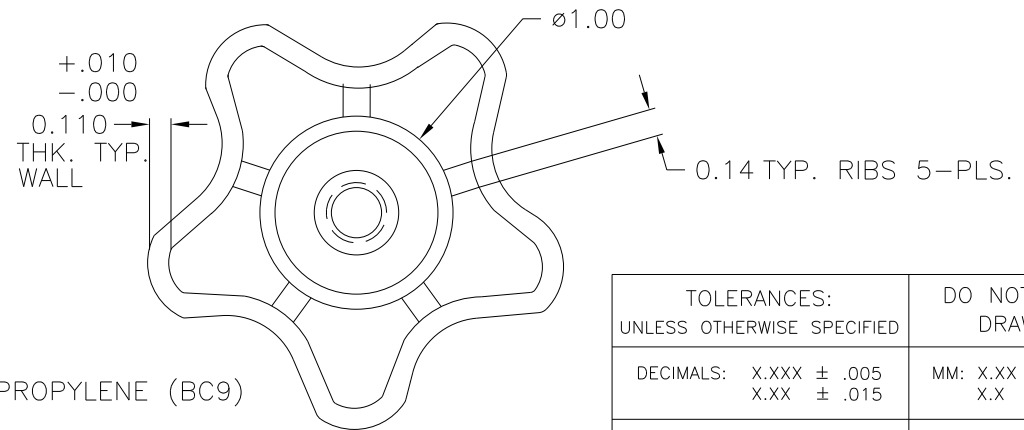
P/N	2980-A
M NO.	#2980
CAV.	2980
CORE	2980
TOP PIN	2980-A
SLEEVE	2980
PIN	2980-A
INSERT	I1301
SPRING	0.035 (2)



TEXTURED TOP SURFACE (UNITEX UT-741)



5/16-18 UNC-2B THREAD. INSERT NO. # I1301, STEEL, ZINC PLTD.



TOLERANCES: UNLESS OTHERWISE SPECIFIED	DO NOT SCALE DRAWING
DECIMALS: X.XXX ± .005 X.XX ± .015	MM: X.XX ± 0.15MM X.X ± 0.4MM
FRACTIONS ± 1/64	ANG. ± 1°

E	WAS 0.79	JAM	11/17/14
D	20% TALC FILLED PP WAS POLYPROPYLENE	MP	12/15/98
C	.47 WAS .472 .44 WAS .437	RF	4/3/97
B	.472 WAS .531 .437 WAS .515 .437 WAS .500	RF	2/25/97
A	WAS 2980-5, WAS USING # 9 FRAME, WAS 2980-G PLUG	HD	7/29/96

MATERIAL: 20% TALC FILLED POLYPROPYLENE (BC9)  
COLOR: BLACK

CHANGES